



TECHNIMOUNT
EMS™



BRACKET PRO SERIE® 101

MOUNTING SYSTEM FOR THE TV-100 VENTILATOR

SAFETY AND FLEXIBILITY WHERE IT MATTERS MOST

The Bracket Pro Serie® 101 is designed to give fast and easy access to the TV-100 Ventilator. It is a lightweight and robust design allowing to secure the medical device during EMS and Critical Care transport.

The Bracket Pro Serie® 101 complies with the highest industry safety standards for transport of medical equipment, SAE J3043.

At Technimount EMS, we understand that EMS and Critical Care Transport teams need solutions that they can rely on. We design and develop quality mounting systems which are safe and flexible, allowing you to concentrate on what matters most - patient care.



Hospital



Ambulance



Stretcher



Military



Air

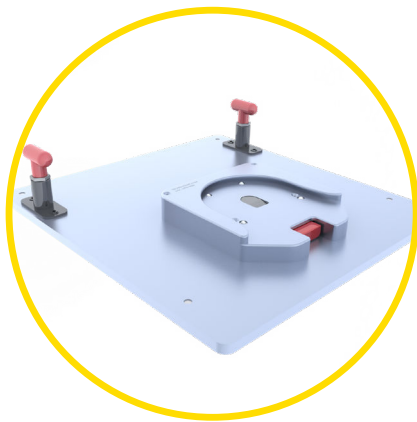
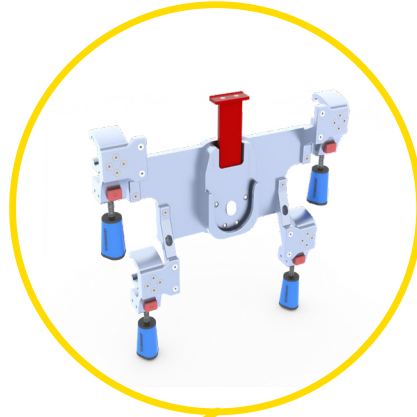
BRACKET PRO SERIE® 101

POTENTIAL CONFIGURATIONS

Safety MD Transporter



Wall Mount Systems (EU)



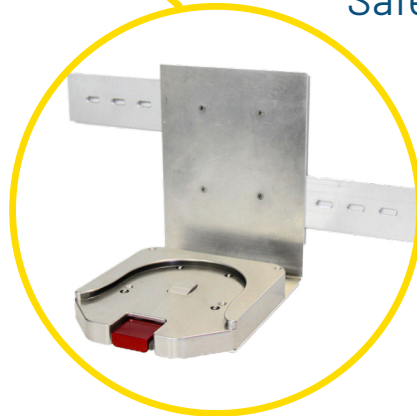
Floor Mount
Air Ambulance



Safety Arm System



Standard Surface Base



Wall Mount Systems

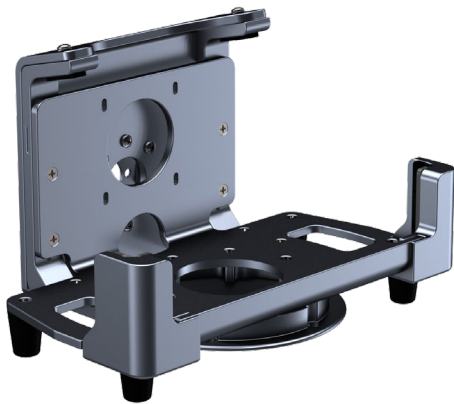


TECHNICAL SPECIFICATIONS

Product Name	Bracket Pro Serie® 101
Product Description	Dual disc bracket mounting system to secure the TV-100 Ventilator on surfaces, cots/stretchers, floors and walls in emergency vehicles
Compatibility of Medical Device*	TV-100 Ventilator from Bio-Med Devices
Environment of Usage	EMS (Ground & Flight) – Hospital/Clinic, Military
Product Section Material	<ul style="list-style-type: none">• Main Assembly: Aluminum 6061-T6• Anti-Rotation Micro Disc: Aluminum 6061-T6• Standard Bottom Disc: Aluminum 6061-T6
Product Finish	<ul style="list-style-type: none">• Main Assembly: Silver-Anodized Finish• Anti-Rotation Micro Disc: Silver-Anodized Finish• Standard Bottom Disc: Silver-Anodized Finish
Environmental Regulations	Complying with RoHS 3
Temperature of Usage	- 35° C to 45° C
Certification	Tested in Compliance with: <ul style="list-style-type: none">• SAE J3043 (26 G)• FAA-FAR-DOT 27.561 & DOT 27.562 (Flight)
Installation	Device Retained on Main Assembly with Back Plate
Attachment Options	2 Locking Discs – Standard Bottom Disc – Anti-Rotation Micro Disc
Transportation Compatibility System	Compatible with Technimount's: <ul style="list-style-type: none">• Safety Arm System For Stryker Cots (PowerPro – XT and Mx-Pro)• Safety MD Transporter• Standard Surface Base• Floor Mount (Flight)• Wall Mount System
Features	<ul style="list-style-type: none">• Robust Mounting Solution for EMS/CCT/ALS Transport• Rubber Pads on Touch Points Inside Main Assembly• Access to all Connectors and Accessories• Anti-Rotation Micro Disc for Installation on Different Arm and Wall Systems• Standard Bottom Disc for Installation on Technimount's Standard Surface Base
Physical Overall Dimensions	Width 8.19 in, Depth 12.19 in, Height 8.27 in
Weight	6.79 lb
Part Number	<ul style="list-style-type: none">• 1210-10-TV - Bracket Pro Serie 101• 100-10-UN - Standard Surface Base
Other Models and Configuration Options	Contact Technimount EMS for more information or for other options at customerservice@technimount.com

* Product and medical equipment manufacturers names are trademarks™ or registered trademarks® of their respective holders. Technimount does not have a commercial relationship with these medical equipment manufacturers.

YOUR SAFETY IS OUR PRIORITY

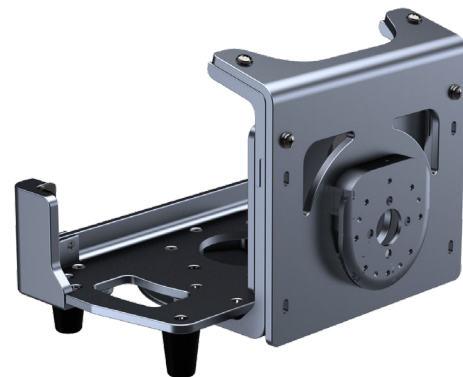


FEATURES

- ✓ Standard Bottom Disc allows for 360° rotation when installed on Technimount's Standard Surface Base
- ✓ Anti-Rotation Micro Disc for vertical support on different arm and wall systems
- ✓ Rubber pads on touch points inside the main assembly provide additional protection for the medical device
- ✓ No interference with system components, connectors, oxygen input, hot swappable battery, tubing or wires
- ✓ Made from high-density Aluminum with silver-anodized finish
- ✓ Designed to comply with SAE J3043 (26 G)

BENEFITS

- + Multiple configurations on cot/stretchers, wall, floor/surface for EMS or Critical Care Transport
- + Access to medical device from all angles (360° rotation on Technimount's Standard Surface Base)
- + Lightweight and robust design
- + Scalable solution from simple to semi-complex to complex systems depending on the application and requirements
- + Quick installation and removal of bracket from Technimount's mounting systems
- + Reduces risks of damage to the equipment and ensures the safety of patients and crew during EMS and Critical Care transport



SAFETY AND FLEXIBILITY WHERE IT MATTERS MOST

[technimount.com](https://www.technimount.com)

