



TECHNIMOUNT
EMS®

BRACKET PRO SERIE® 60 - GR

OPERATING GUIDE

SAFETY AND FLEXIBILITY
WHERE IT MATTERS MOST



Copyrights

Copyright 2024 Technimount E.M.S. Holding Inc. (Technimount EMS) is an affiliated company of Technologies CGC Inc. All Rights Reserved. No part of this publication may be reproduced, transmitted, transcribed, stored in a retrieval system, translated in any language, modified in any form or by any means, without the written permission of Technimount EMS or its affiliate companies.

Trademarks

Product and medical device manufacturer names are Trademarks™ or Registered Trademarks® of their respective holders.

- Technimount EMS® and Bracket Pro Serie® are registered trademarks of Technologies CGC Inc.
- Hamilton-T1® is a registered trademark of Hamilton Medical.

For any issues with your Technimount product, its components, or for any technical questions during the installation, operation, or maintenance, please contact Technical Support at techsupport@technimount.com.

Contact Information

Technimount E.M.S. Holding Inc.

C/O: Regulatory Affairs

3770 Jean Marchand Street, Suite 100-C

Quebec (QC) G2C 1Y6

Canada

customerservice@technimount.com

techsupport@technimount.com

legal@technimount.com

www.technimount.com

T + 1 581.700.6613

TF + 1 888.639.2758 (North America)

Table of Contents

Copyrights	ii
Trademarks	ii
Contact Information	ii
1. Safety Guidelines.....	4
2. Operate the Bracket Pro Serie 60 - GR.....	5
..... 2.1. Install the Medical Device in the Bracket Pro Serie 60 - GR.....	6
..... 2.2. Remove the Medical Device from the Bracket Pro Serie 60 - GR	7
..... 2.3. Install the Bracket Pro Serie 60 - GR on a Micro Base	8
..... 2.4. Remove the Bracket Pro Serie 60 - GR from the Micro Base	9
..... 2.5. Install the Bracket Pro Serie 60 - GR on a Standard Surface Base.....	9
..... 2.6. Remove the Bracket Pro Serie 60 - GR from the Standard Surface Base.....	10
3. Perform the Daily Safety Checks	12
..... 3.1. Required Tools.....	12
..... 3.2. Daily Safety Checks	12
..... 3.3. Illustrated Inspections Points	15

1. Safety Guidelines




WARNING - General Warning

- **Do not perform** safety checks on Technimount products, before receiving proper training.
- Perform the safety checks, as described herein. Failing to follow the recommended guidelines could cause premature damage to the product.
- Improper use of the Technimount product may damage the device or cause injury to the patients or EMS personnel.
- If any serious incident occurs with the mounting solution, immediately stop using the product, report this incident to Technical Support at technicalsupport@technimount.com and the applicable regulatory agency.
- Always keep the user manual and operating guide within reach of the bracket, even if the mounting system is subsequently sold, to prevent undue risk to the product, patients, and EMS personnel. The user documentation is an integral part of the system.



CAUTION - Safe Handling and Operation

Both (2) rotary locks must be in the locked position  to properly secure the medical device in the bracket and prevent it from falling from the mounting system during transport.



CAUTION - Safe Practice

Always pay close attention to the condition of the safety mechanisms, to prevent undue risk to the device, patients, and EMS personnel. Follow the recommended guidelines as described in this document.



CAUTION - Working Load/Load Balance

Do not overload the system. The Safe Working Load (SWL) is 16.5 lb (7.48 kg).



CAUTION - Follow Instructions for Use

- Always read and abide by all the safety guidelines identified, as well as follow the instructions provided within this document.
- Refer to the manufacturer's user manual for safety precautions and user instructions for the safe use of the Hamilton-T1 ventilator.

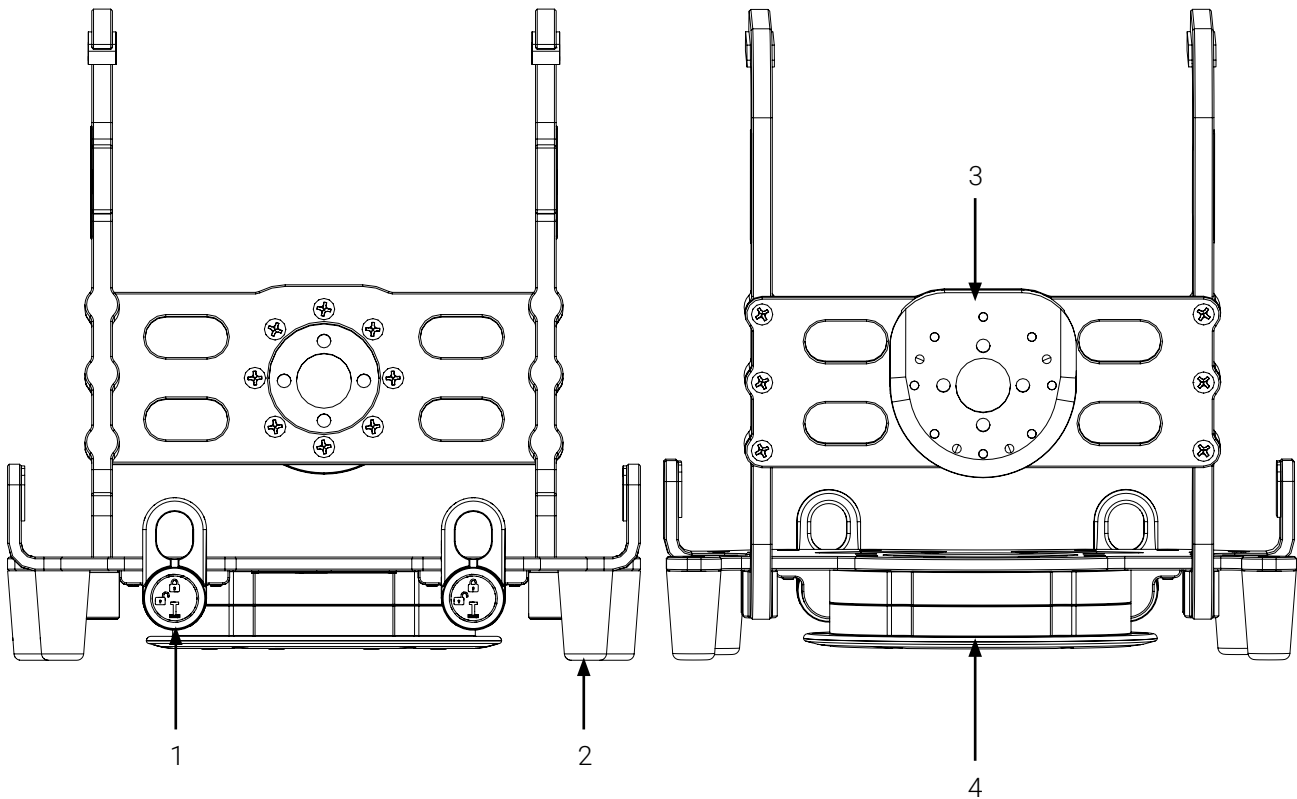
2. Operate the Bracket Pro Serie 60 - GR

This Operating Guide is used to help EMS personnel effectively secure the Hamilton-T1 ventilator in the Bracket Pro Serie 60 - GR during ground EMS and critical care transport (Figure 1). For detailed product information that is not user related, refer to your supervisor or the user manual when required.

NOTE: Always perform the Safety checks **before** using the Bracket Pro Serie 60 - GR. Refer to the "Daily Safety Checks" on page 12 before each use.

NOTE: Technimount continually seeks advancements in product design and quality. While this document contains the most updated product information available at the time of printing, it may contain minor differences from the current version. For more information, please contact Customer Service at customerservice@technimount.com.

NOTE: The Bracket Pro Serie 60 - GR is available in a number of configurations. Although the illustrations within this document show the 2-disc option, the procedure herein applies to all model options. Follow the instructions that applies to your product model.





1. Rotary lock (2X)
 2. Foot (4X)

3. Anti-rotation micro disc
 4. Standard bottom disc

Figure 1: Bracket Pro Serie 60 - GR (Front and back of 2-disc bracket illustrated)

2.1. Install the Medical Device in the Bracket Pro Serie 60 - GR

1. If the two (2) rotary locks located at the front of the bracket are in the locked position  (Figure 2 A), turn them a quarter of a turn counterclockwise to the unlocked position  (Figure 2 B).

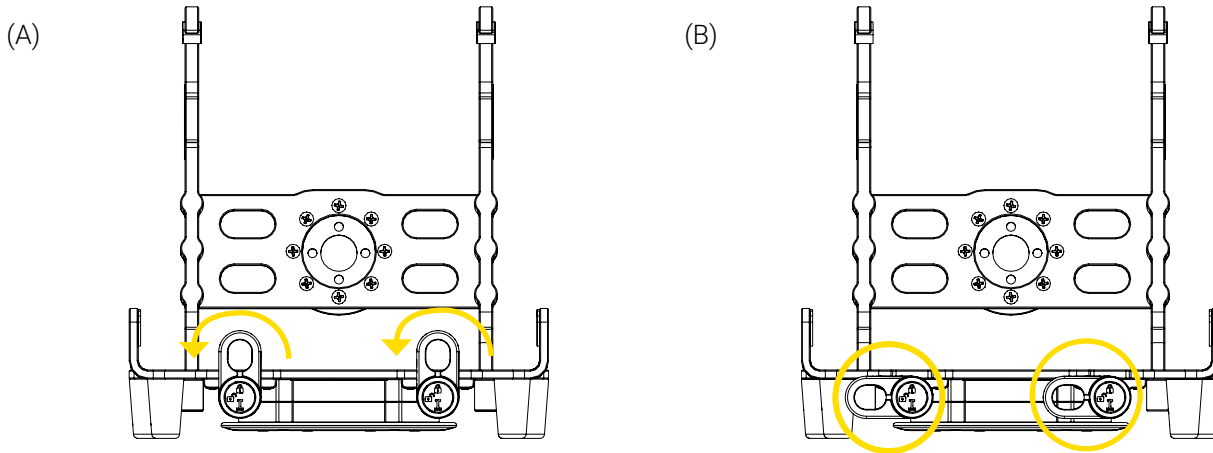


Figure 2: Unlocking the Bracket Pro Serie 60 - GR

2. Insert the medical device into the bracket using the handle and push it to the back of the mounting system (Figure 3).

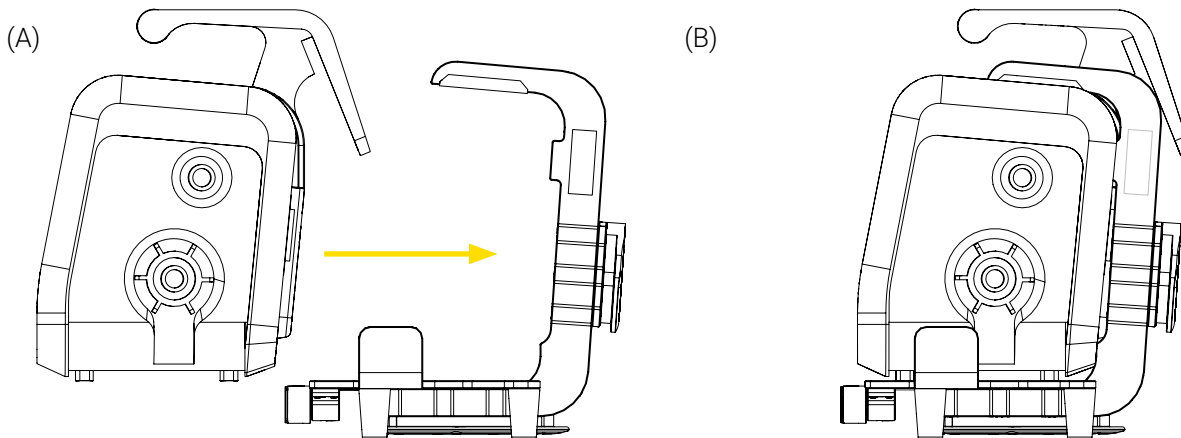



Figure 3: Installing the medical device in the Bracket Pro Serie 60 - GR

3. Turn the two (2) rotary locks a quarter of a turn clockwise to the locked position  to secure the medical device in the bracket (Figure 4).

NOTE: Both (2) rotary locks must be in the locked position  to properly secure the medical device in the bracket and prevent it from falling from the mounting system during transport.

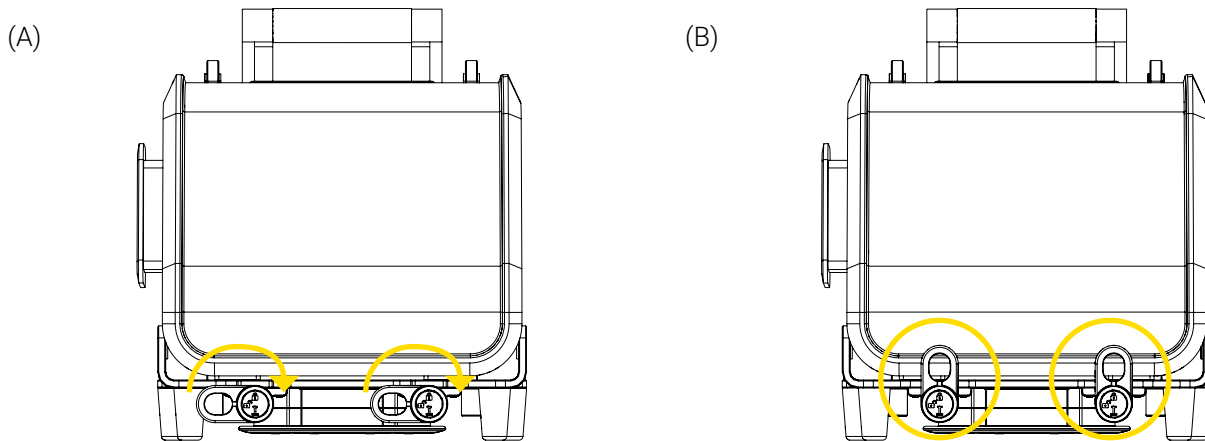



Figure 4: Locking the Bracket Pro Serie 60 - GR

The installation of the medical device in the Bracket Pro Serie 60 - GR is complete.

2.2. Remove the Medical Device from the Bracket Pro Serie 60 - GR

1. Turn the two (2) rotary locks located at the front of the bracket a quarter of a turn counterclockwise to the unlocked position  (Figure 5).

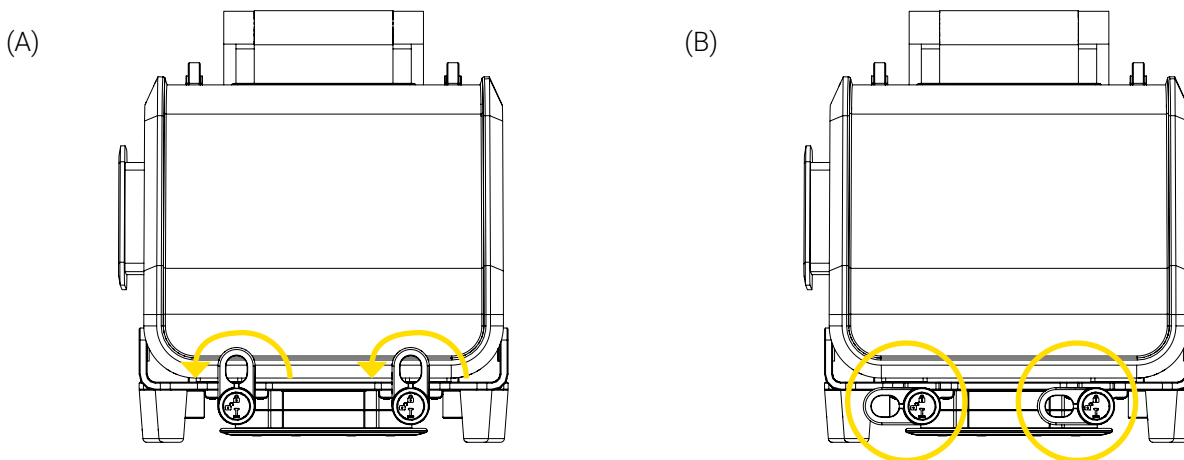


Figure 5: Unlocking the Bracket Pro Serie 60 - GR

2. Pull the medical device outwards using the handle to remove it from the bracket (Figure 6). Set aside the medical device.

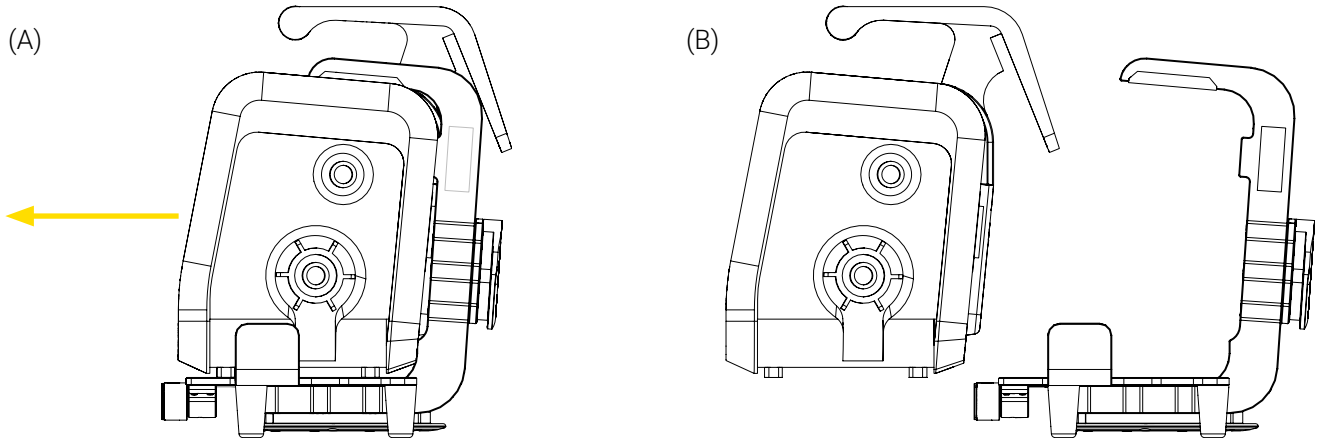


Figure 6: Removing the medical device from the Bracket Pro Serie 60 - GR

The removal of the medical device from Bracket Pro Serie 60 - GR is complete.

2.3. Install the Bracket Pro Serie 60 - GR on a Micro Base

NOTE: Only a Technimount bracket with an anti-rotation micro disc or micro disc can be installed on a Micro Base.

1. Align and insert the anti-rotation micro disc located at the back of the Bracket Pro Serie 60 - GR vertically in the Micro Base until it is locked (Figure 7).
2. Move the bracket up and down a few times to ensure that it is locked and secured in the Micro Base.

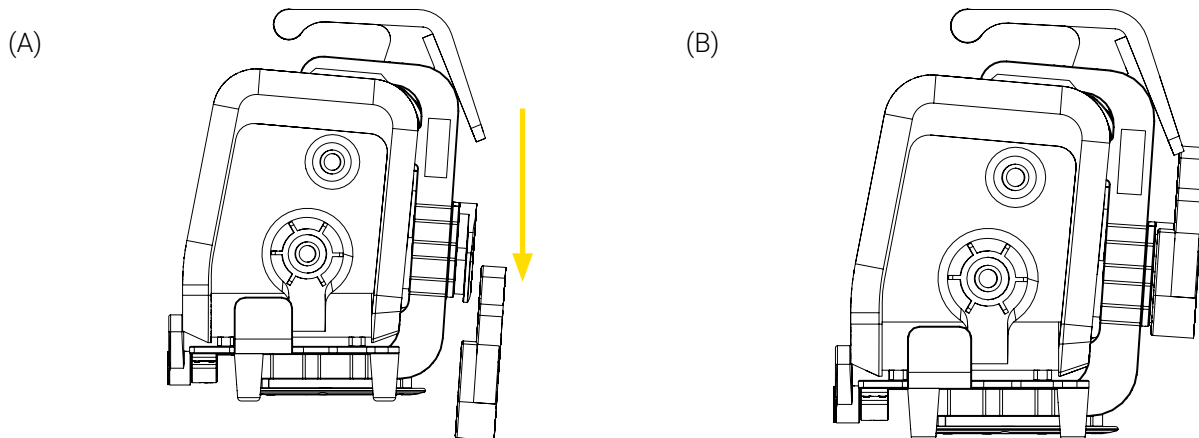


Figure 7: Installing the Bracket Pro Serie 60 - GR on the Micro Base

The installation of the Bracket Pro Serie 60 - GR on the Micro Base is complete.

2.4. Remove the Bracket Pro Serie 60 - GR from the Micro Base

Press and hold the quick release button of the Micro Base (Figure 8 A), then lift the Bracket Pro Serie 60 - GR vertically using the handle to remove it from the Micro Base (Figure 8 B). Set aside the medical device.

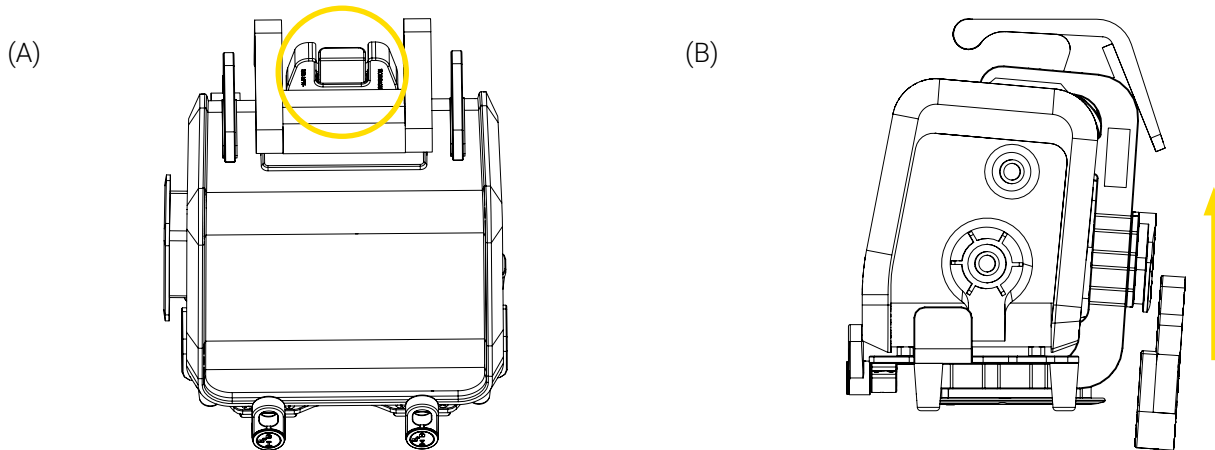


Figure 8: Removing the Bracket Pro Serie 60 - GR from the Micro Base

The removal of the Bracket Pro Serie 60 - GR from the Micro Base is complete.

2.5. Install the Bracket Pro Serie 60 - GR on a Standard Surface Base

NOTE: Only a Technimount bracket with a standard bottom disc can be installed on a Standard Surface Base.

1. Align and insert the standard bottom disc located under the Bracket Pro Serie 60 - GR horizontally in the Standard Surface Base until it is locked (Figure 9).
2. Move the bracket back-and-forth a few times to ensure it is locked and secured in the Standard Surface Base.

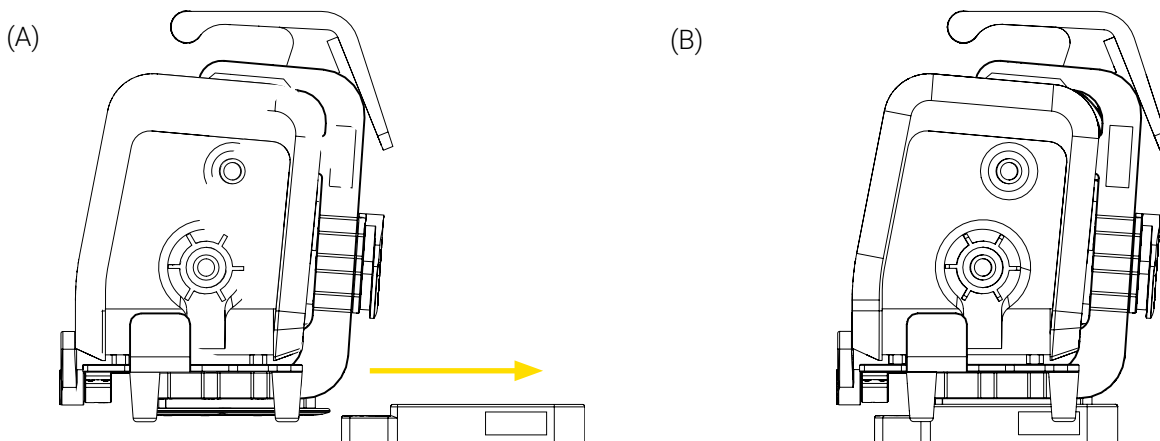


Figure 9: Installing the Bracket Pro Serie 60 - GR on the Standard Surface Base

3. Turn the bracket clockwise or counterclockwise to the desired position (Figure 10).

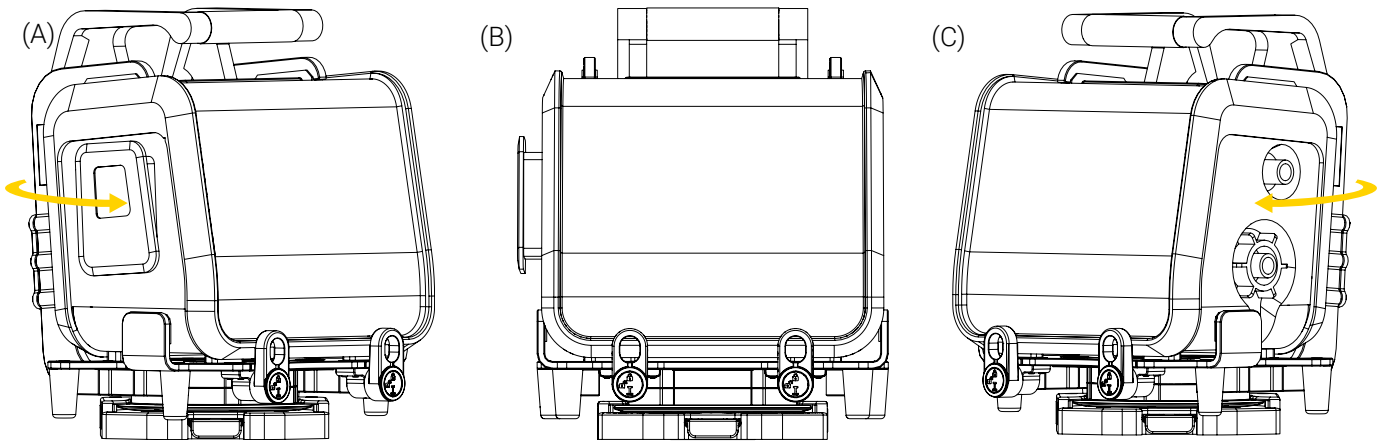


Figure 10: Rotating the Bracket Pro Serie 60 - GR on the Standard Surface Base

The installation of the Bracket Pro Serie 60 - GR on a Standard Surface Base is complete.

2.6. Remove the Bracket Pro Serie 60 - GR from the Standard Surface Base

1. Rotate the bracket until the quick release button of the Standard Surface Base is centered between the two (2) rotary locks (Figure 11).

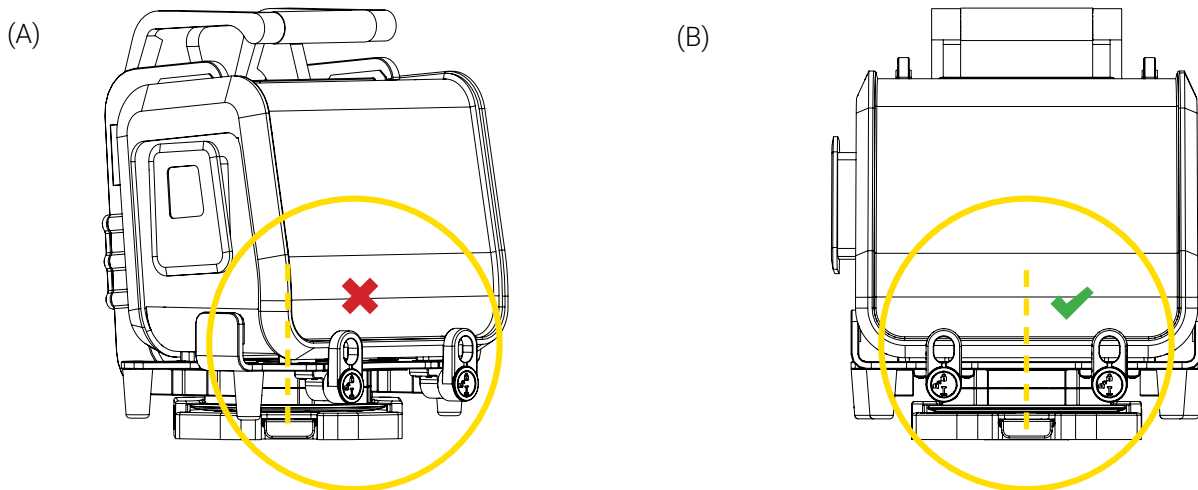


Figure 11: Removal position of the Bracket Pro Serie 60 - GR

2. Press and hold the quick release button of the Standard Surface Base, then pull the medical device horizontally out of the base using the handle (Figure 12). Set the medical device.

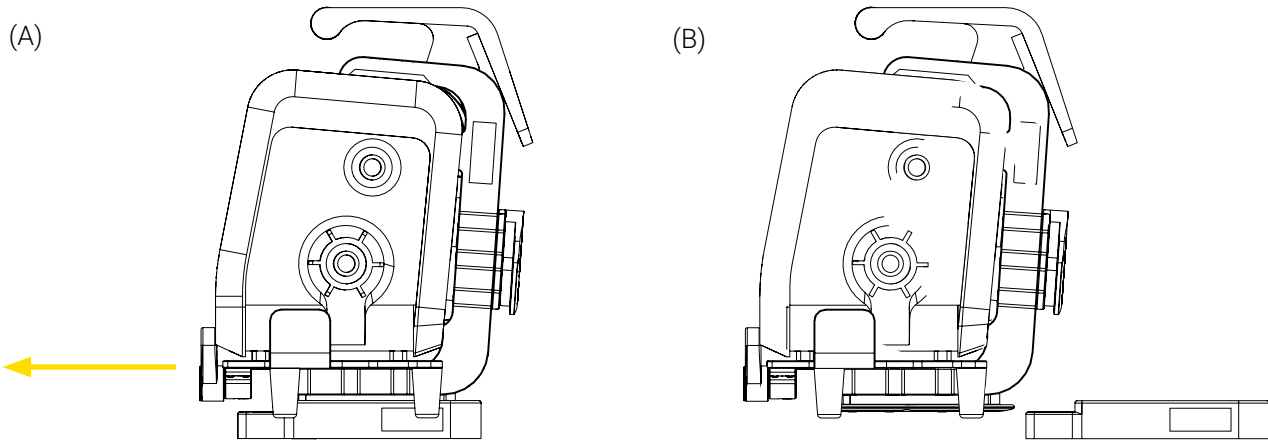


Figure 12: Removing the Bracket Pro Serie 60 - GR from the Standard Surface Base

The removal of the Bracket Pro Serie 60 - GR from a Standard Surface Base is complete.

3. Perform the Daily Safety Checks

Daily safety checks on Technimount products are recommended to keep them in good condition and avoid failure or injury to the patient or EMS personnel. EMS personnel should perform the daily safety checks at the beginning of each work shift.

NOTE: Always keep records of your all maintenance activities and immediately remove defective or expired products from your inventory.

Please contact Technical Support at techsupport@technimount.com for replacement parts or repair related issues.





3.1. Required Tools

- Clean dry cloth

3.2. Daily Safety Checks

Refer to the illustrated inspection points (Figure 13 on page 15), if needed.

NOTE: In case of a non-conformity, alert the maintenance supervisor of all non-compliances and immediately cease use.

DAILY SAFETY CHECKS	COMPLIANT	
	YES	NO
INSPECTIONS		
Bracket Pro Serie 60 - GR (Figure 13)		
- Visually inspect all the components of the bracket to ensure there is no damage or chemical attack, that the hardware is in good condition and there are no loose screws.	<input type="checkbox"/>	<input type="checkbox"/>
- Visually inspect the bracket to ensure there are no lodged particles. If so, immediately remove using a clean dry cloth.	<input type="checkbox"/>	<input type="checkbox"/>
Rotary Locks (Figure 13)		
- Visually inspect the two (2) rotary locks to ensure there are no lodged particles in the cavities. If so, immediately remove using a clean dry cloth.	<input type="checkbox"/>	<input type="checkbox"/>
- Turn the rotary locks a quarter of a turn counterclockwise to the unlocked position  , then a quarter of a turn counterclockwise to the locked position  to ensure proper functioning. The rotary locks should turn in either direction without any resistance.	<input type="checkbox"/>	<input type="checkbox"/>
- Install/remove the medical device to ensure proper functioning of the rotary locks. The medical device should be easily inserted and secured in the bracket when the rotary locks are in the locked position  and as easily removed when the locks are in the unlocked position  .	<input type="checkbox"/>	<input type="checkbox"/>
Anti-Rotation Micro Disc (Figure 13)		
- Visually inspect all the components of the anti-rotation micro disc to ensure there is no damage or chemical attack and that the hardware is in good condition.	<input type="checkbox"/>	<input type="checkbox"/>
- Visually inspect the rim of the anti-rotation micro disc to ensure there are no lodged particles. If so, immediately remove using a clean dry cloth.	<input type="checkbox"/>	<input type="checkbox"/>

DAILY SAFETY CHECKS	COMPLIANT	
<ul style="list-style-type: none"> - Insert/remove the anti-rotation micro disc on the Micro Base a few times to ensure proper functioning. The anti-rotation micro disc of the Bracket Pro Serie 60 - GR should be easily inserted and locked in position after the click sound of the locking mechanism engaging in the base and as easily removed when pressing the quick release button. 	<input type="checkbox"/>	<input type="checkbox"/>
Standard Bottom Disc (Figure 13)		
<ul style="list-style-type: none"> - Visually inspect all the components of the standard bottom disc to ensure there is no damage or chemical attack and that the hardware is in good condition. 	<input type="checkbox"/>	<input type="checkbox"/>
<ul style="list-style-type: none"> - Visually inspect the rim of the standard bottom disc to ensure there are no lodged particles. If so, immediately remove using a clean dry cloth. 	<input type="checkbox"/>	<input type="checkbox"/>
<ul style="list-style-type: none"> - Insert/remove the standard bottom disc on the Standard Surface Base a few times to ensure proper functioning. The Standard Bottom Disc of the Bracket Pro Serie 60 - GR should be easily inserted and locked in position after the click sound of the locking mechanism engaging in the base and as easily removed when pressing the quick release button. 	<input type="checkbox"/>	<input type="checkbox"/>
Acetal Feet (Figure 13)		
Visually inspect the (4) feet to ensure there is no damage or chemical attack, loose parts and that the hardware is in good condition.	<input type="checkbox"/>	<input type="checkbox"/>

DAILY SAFETY CHECKS

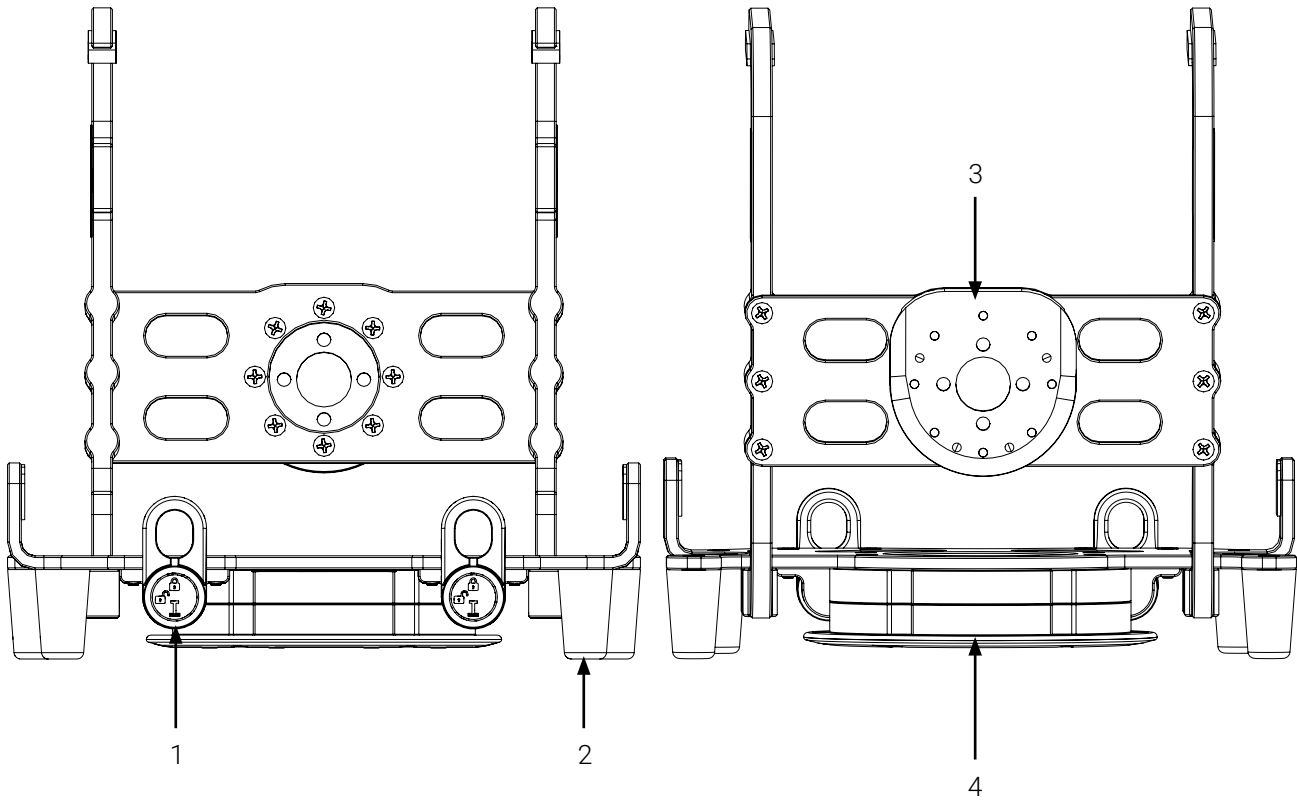
COMPLIANT

Daily Safety Checks completed on (dd/mm/yyyy)

Daily Safety Checks completed by

Comments and observations:

3.3. Illustrated Inspections Points



- 1. Rotary lock (2X)
- 2. Foot (4X)

- 3. Anti-rotation micro disc
- 4. Standard bottom disc

Figure 13: Bracket Pro Serie 60 - GR inspection points (Front and back of 2-disc bracket illustrated)



TECHNIMOUNT

EMS[®]

Technimount EMS offers mounting solutions that can be installed on ambulance counters, walls and stretchers which allows for the equipment to follow the patient throughout the continuum of care. Our unparalleled level of flexibility allows for maximum operability in EMS, hospital and military environments.

Technimount EMS is driven to offer innovative solutions that respond to the unique device management needs of emergency and Critical Care Transport (CCT) teams for ground and air ambulances. Safety is at the core of our values, all Technimount systems are tested in compliance with the highest industry standards for impact resistance. Technimount EMS is committed to developing innovative solutions as healthcare practices evolve.

TECHNIMOUNT E.M.S. HOLDING INC.

3770 Jean Marchand Street, Suite 100-C
Quebec (QC) G2C 1Y6
Canada
T + 1 581.700.6613
TF + 1 888.639.2758 (North America)

technimount.com