



TECHNIMOUNT
EMS™

BRACKET PRO SERIE® 76 PX SMT

OPERATING GUIDE

SAFETY AND FLEXIBILITY
WHERE IT MATTERS MOST



Copyrights

Copyright 2023 Technimount E.M.S. Holding Inc. (Technimount EMS) is an affiliated company of Technologies CGC Inc. All Rights Reserved. No part of this publication may be reproduced, transmitted, transcribed, stored in a retrieval system, translated in any language, modified in any form or by any means, without the written permission of Technimount EMS or its affiliate companies.

Trademarks

Product and medical device manufacturer names are Trademarks™ or Registered Trademarks® of their respective holders.

- Technimount EMS™ is a trademark of Technologies CGC Inc.
- Bracket Pro Serie® is a registered trademark of Technologies CGC inc.
- Tempus Pro® is a registered trademark of Phillips.

For any issues with your Technimount product, its components, or for any technical questions during the installation, operation, or maintenance, please contact Technical Support at techsupport@technimount.com.

Contact Information

Technimount E.M.S. Holding Inc.

C/O: Regulatory Affairs

3770 Jean Marchand Street, Suite 100-C

Quebec (QC) G2C 1Y6

Canada

customerservice@technimount.com

techsupport@technimount.com

legal@technimount.com

www.technimount.com

T + 1 581.700.6613

TF + 1 888.639.2758 (North America)

Table of Contents

Copyrights	ii
Trademarks	ii
Contact Information	ii
1. Safety Guidelines.....	4
2. Operate the Bracket Pro Serie 76 PX SMT	5
..... 2.1. Required Tools and Parts	6
..... 2.2. Install the Tempus Pro SMART Mount in the Bracket Pro Serie 76 PX SMT	6
..... 2.3. Install the Bracket Pro Serie 76 PX SMT on a Standard Surface Base.....	7
..... 2.4. Remove the Bracket Pro Serie 76 PX SMT from a Standard Surface Base.....	8
3. Perform the Daily Safety Checks	10
..... 3.1. Required Tools.....	10
..... 3.2. Daily Safety Checks	10
..... 3.3. Illustrated Inspections Points	12

1. Safety Guidelines



WARNING - General Warning

- **Do not** perform safety checks on Technimount products, before receiving proper training.
- Perform the safety checks, as described in this operating guide. Failing to follow the recommended guidelines could cause premature damage to the product.



CAUTION - Safe Handling and Operation

Improper use of the Technimount product may damage the device or cause injury to the patients or EMS personnel.



CAUTION - Safe Practice

- Always pay close attention to the condition of the safety mechanisms, to prevent undue risk to the device, patients and EMS personnel. Follow the recommended guidelines as described in this document.
- Keep this document with the product at all times.
- If any serious incident occurs with the mounting system, immediately stop using the product, report this incident to Technical Support at technicalsupport@technimount.com and the applicable regulatory agency.



CAUTION - Working Load/Load Balance

Do not overload the system. The Safe Working Load (SWL) is 20.3 lbs (9.2 kg).



CAUTION - Follow Instructions for Use

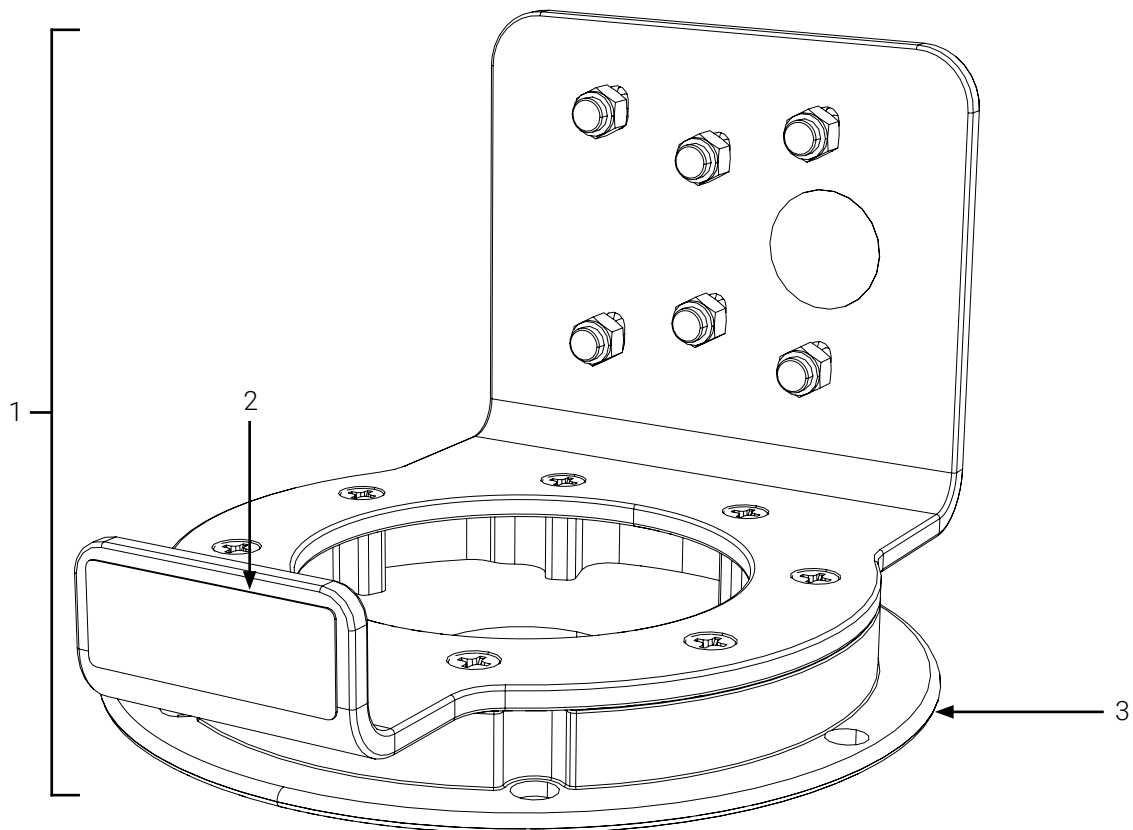
- Always read and abide by all the safety guidelines identified, as well as follow instructions provided within this document.
- Refer to the manufacturer's user manual for safety precautions and user instructions for the safe use of the Phillips Tempus Pro monitor with SMART mount docking and charging station.

2. Operate the Bracket Pro Serie 76 PX SMT

This Operating Guide is used to help EMS personnel effectively secure the Phillips Tempus Pro monitor with SMART mount in the Bracket Pro Serie 76 PX SMT during EMS and critical care transport. For detailed product information that is not user related, refer to your supervisor or the user manual when required.

NOTE: Always perform the Safety checks BEFORE using the Bracket Pro Serie 76 PX SMT. Refer to the "Daily Safety Checks" on page 10 before each use.

NOTE: Technimount continually seeks advancements in product design and quality. While this operating guide contains the most updated product information available at the time of printing, it may contain minor differences from the current version. For more information, please contact Customer Service at customerservice@technimount.com.



- | | |
|--------------------------------|-------------------------|
| 1. Bracket Pro Serie 76 PX SMT | 3. Standard bottom disc |
| 2. Handle | |

Figure 1: Bracket Pro Serie 76 PX SMT

2.1. Required Tools and Parts

- Screws, #10 (6X)
- Nuts (6X)
- Wrench 3/8
- Phillips screwdriver, #2
- Bracket Pro Serie 76 PX SMT
- Phillips Tempus Pro monitor
- Phillips SMART mount docking and charging station

2.2. Install the Tempus Pro SMART Mount in the Bracket Pro Serie 76 PX SMT

1. Insert the SMART mount in the bracket, between the handle and rear fold (Figure 2 A).
2. Press the SMART mount bracket against the rear fold and attach the parts using the 6 screws and nuts (Figure 2 B and Figure 2 C).

NOTE: Ensure all screws are properly tightened (**do not** overtighten).

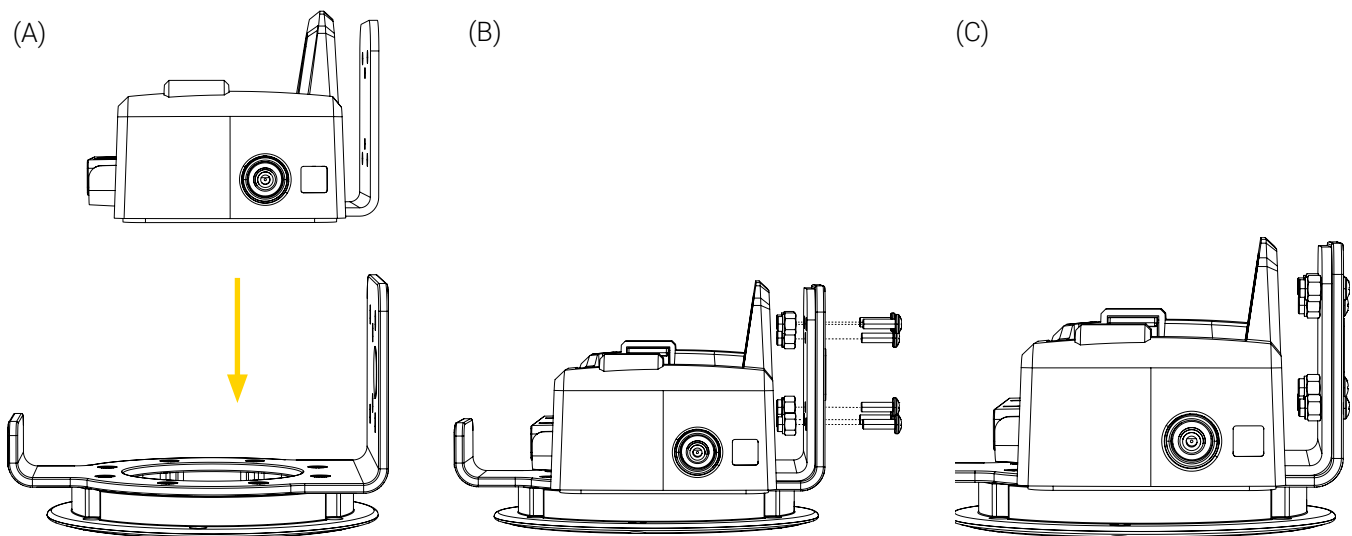


Figure 2: Installing the SMART mount in the Bracket Pro Serie 76 PX SMT

- Once the installation completed (Figure 3 A), install the monitor into the SMART mount (Figure 3 B). Refer to the medical device manufacturer documentation for proper installation, use and operation.

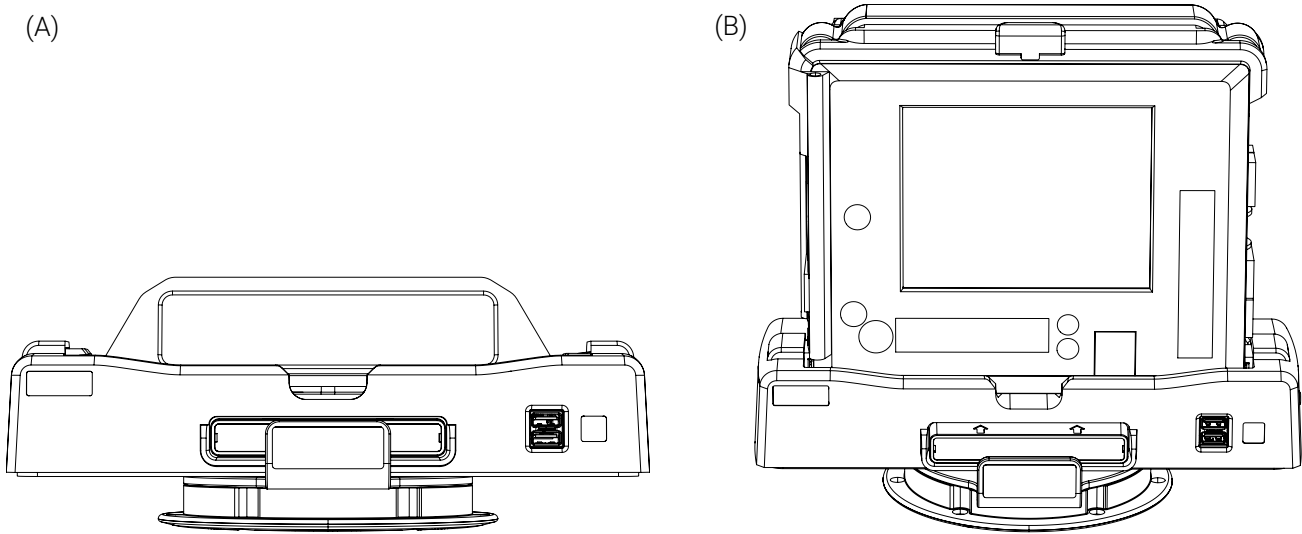


Figure 3: Tempus Pro with SMART mount installed in the Bracket Pro Serie 76 PX SMT

2.3. Install the Bracket Pro Serie 76 PX SMT on a Standard Surface Base

- Align the standard bottom disc with the Standard Surface Base (Figure 4 A).
- Slide the standard bottom disc horizontally into the Standard Surface Base (Figure 4 B).
- Push the medical device all the way back in the base (Figure 4 C) until you hear the click of the quick release mechanism engaging.

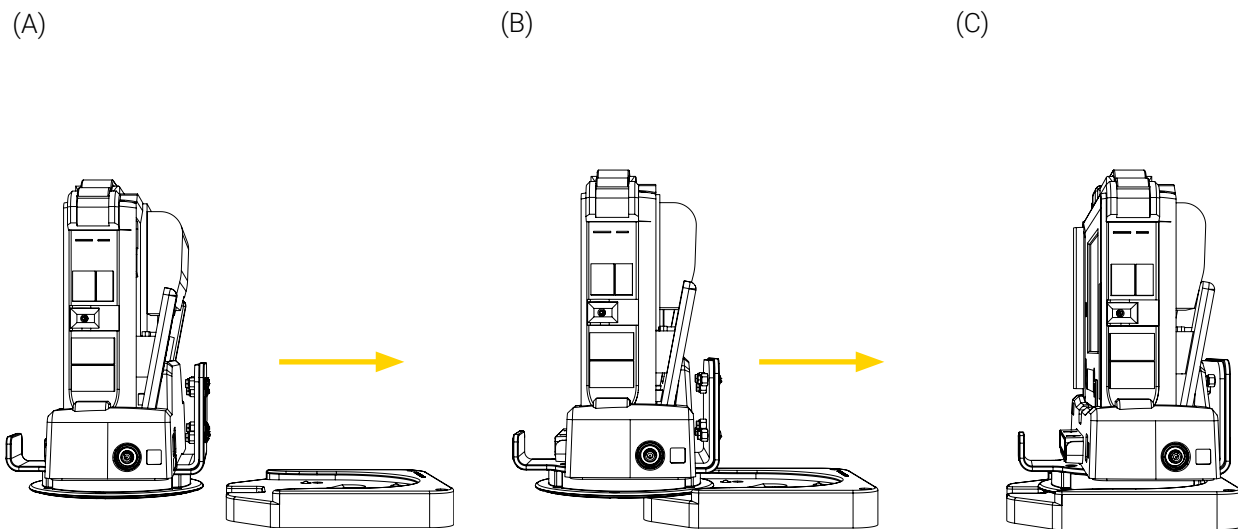


Figure 4: Installing the Bracket Pro Serie® 76 PX in the Standard Surface Base

- Move the medical device back-and-forth to ensure that the bracket is locked securely in the Standard Surface Base.

5. Turn the medical device clockwise or counterclockwise, to the desired position using the bracket handle (Figure 5).

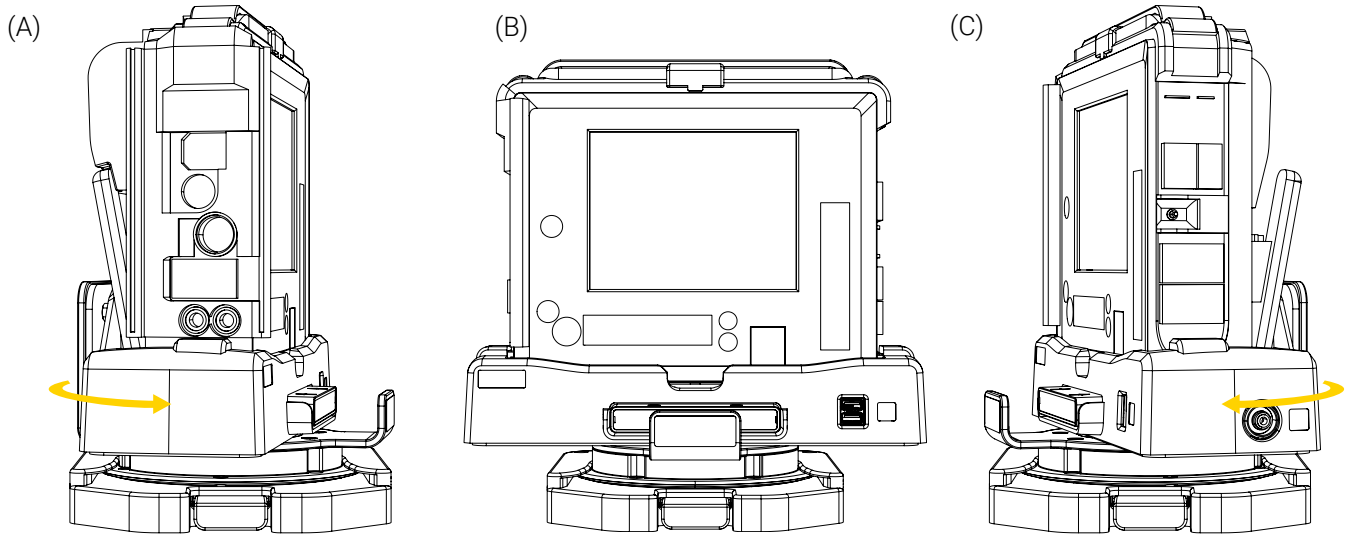


Figure 5: Rotating the Bracket Pro Serie 76 PX SMT in the Standard Surface Base

2.4. Remove the Bracket Pro Serie 76 PX SMT from a Standard Surface Base

1. Rotate the medical device until the handle of the bracket and quick release button of the Standard Surface Base are aligned (Figure 6).

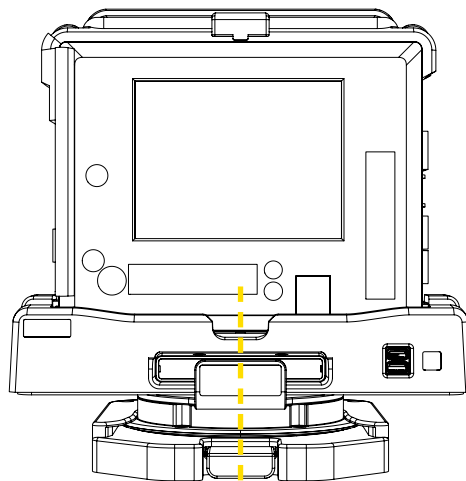
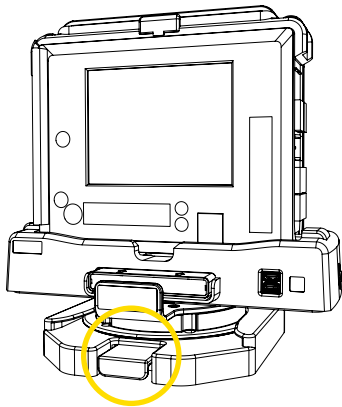


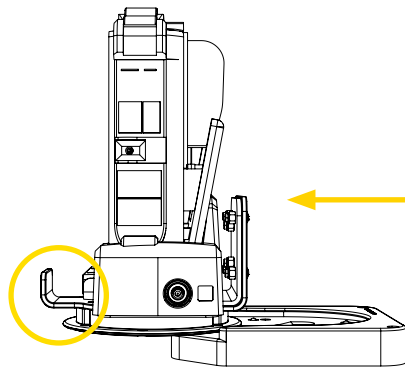
Figure 6: Removing the Bracket Pro Serie 76 PX SMT from the Standard Surface Base (1 of 2)

2. Press and hold the quick release button of the Standard Surface Base (Figure 7 A), then pull the medical device horizontally out of the base using the bracket handle (Figure 7 B and Figure 7 C).

(A)



(B)



(C)

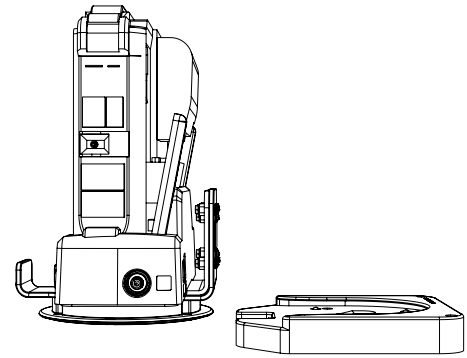


Figure 7: Removing the Bracket Pro Serie 76 PX SMT from the Standard Surface Base (2 of 2)

3. Perform the Daily Safety Checks

Daily safety checks on Technimount products are recommended to keep them in good condition and avoid failure or injury to the patient or EMS personnel. EMS personnel should perform the daily safety checks at the beginning of each work shift.

NOTE: Always keep records of your all maintenance activities and immediately remove defective or expired products from your inventory.

Please contact Technical Support at techsupport@technimount.com for replacement parts or repair related issues.

3.1. Required Tools

- Clean dry cloth

3.2. Daily Safety Checks

Refer to the illustrated inspection points (Figure 8), if needed.

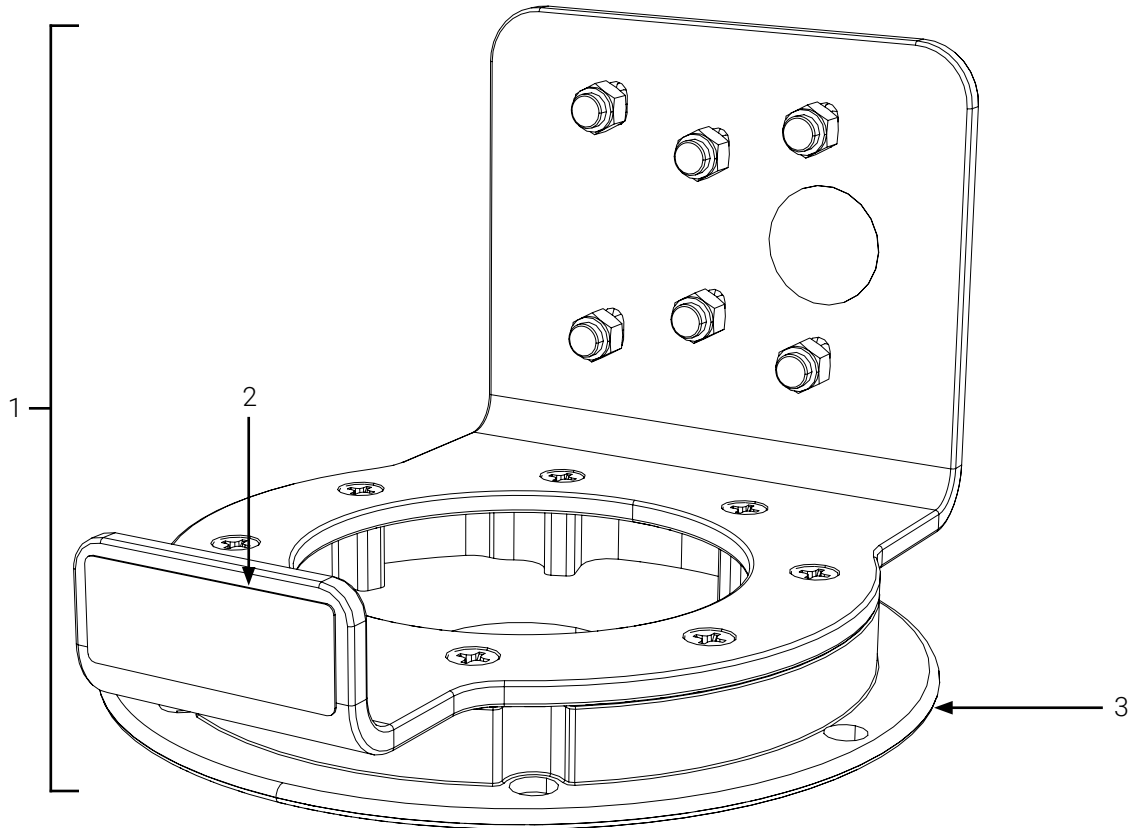
NOTE: In case of a non-conformity, alert the maintenance supervisor of all non-compliances and immediately cease use.

DAILY SAFETY CHECKS	COMPLIANT	
	YES	NO
INSPECTIONS		
Bracket Pro Serie 76 PX SMT (Figure 8)		
- Visually inspect all the components of the bracket to ensure there is no damage or chemical attack, that the hardware is in good condition and there are no loose screws.	<input type="checkbox"/>	<input type="checkbox"/>
- Visually inspect the bracket and make sure there are no lodged particles. If so, immediately remove using a clean dry cloth.	<input type="checkbox"/>	<input type="checkbox"/>
Standard Bottom Disc (Figure 8)		
- Visually inspect all the components of the standard bottom disc to ensure there is no damage or chemical attack and that the hardware is in good condition.	<input type="checkbox"/>	<input type="checkbox"/>
- Visually inspect the rim of the standard bottom disc and make sure there are no lodged particles. If so, immediately remove using a clean dry cloth.	<input type="checkbox"/>	<input type="checkbox"/>
- Insert/remove the standard bottom disc on the base a few times to ensure proper functioning. The Bracket Pro Serie 76 PX SMT should be easily inserted and locked in position after the click sound and easily removed when using the quick release mechanism.	<input type="checkbox"/>	<input type="checkbox"/>

Daily Safety Checks completed on (dd/mm/yyyy), by _____

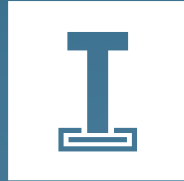
Comments and observations: _____

3.3. Illustrated Inspections Points



- 1. Bracket Pro Serie 76 PX SMT
- 2. Handle
- 3. Standard bottom disc

Figure 8: Bracket Pro Serie® 76 PX SMT inspection points



TECHNIMOUNT EMS™

Technimount EMS offers mounting systems that can be installed on ambulance counters, walls and stretchers which allows for the device to follow the patient throughout the continuum of care. Our unparalleled level of flexibility allows for maximum operability in EMS, hospital and military environments.

Technimount EMS is driven to offer innovative solutions that respond to the unique device management needs of emergency and Critical Care Transport (CCT) teams for ground and air ambulances. Safety is at the core of our values, all Technimount systems are tested in compliance with the highest industry standards for impact resistance. Technimount EMS is committed to developing innovative solutions as healthcare practices evolve.

TECHNIMOUNT E.M.S. HOLDING INC.

3770 Jean Marchand Street, Suite 100-C
Quebec (QC) G2C 1Y6
Canada
T + 1 581.700.6613
TF + 1 888.639.2758 (North America)

technimount.com

