



**TECHNIMOUNT**  
EMS<sup>®</sup>

# BRACKET PRO SERIE<sup>®</sup> 92 - FL4

## OPERATING GUIDE



**SAFETY AND FLEXIBILITY  
WHERE IT MATTERS MOST**



## Copyrights

Copyright 2023 Technimount E.M.S. Holding Inc. (Technimount EMS) is an affiliated company of Technologies CGC Inc. All Rights Reserved. No part of this publication may be reproduced, transmitted, transcribed, stored in a retrieval system, translated in any language, modified in any form or by any means, without the written permission of Technimount EMS or its affiliate companies.

## Trademarks

Product and medical equipment manufacturer names are Trademarks™ or Registered Trademarks® of their respective holders.

- Technimount EMS® and Bracket Pro Serie® are registered trademarks of Technologies CGC Inc.
- Sapphire® is a trademark of Eitan Medical Ltd.

For any issues with your Technimount product, its components, or for any technical questions during the installation, operation, or maintenance, please contact Technical Support at [techsupport@technimount.com](mailto:techsupport@technimount.com).

## Contact Information

### Technimount E.M.S. Holding Inc.

C/O: Regulatory Affairs

3770 Jean Marchand Street, Suite 100-C

Quebec (QC) G2C 1Y6

Canada

[customerservice@technimount.com](mailto:customerservice@technimount.com)

[techsupport@technimount.com](mailto:techsupport@technimount.com)

[legal@technimount.com](mailto:legal@technimount.com)

[www.technimount.com](http://www.technimount.com)

T + 1 581.700.6613

TF + 1 888.639.2758 (North America)

## Table of Contents

<b>Copyrights</b> .....	<b>ii</b>
<b>Trademarks</b> .....	<b>ii</b>
<b>Contact Information</b> .....	<b>ii</b>
<b>1. Safety Guidelines</b> .....	<b>4</b>
<b>2. Operate the Bracket Pro Serie 92 - FL4</b> .....	<b>5</b>
..... 2.1. Install the Infusion Pump in the Bracket Pro Serie 92 - FL4 .....	6
..... 2.2. Remove the Infusion Pump from the Bracket Pro Serie 92 - FL4.....	8
..... 2.3. Install the Bracket Pro Serie 92 - FL4 on a Micro Base.....	9
..... 2.4. Remove the Bracket Pro Serie 92 - FL4 from the Micro Base.....	11
..... 2.5. Operate the Bracket Pro Serie 92 - FL4 IV pole .....	12
<b>3. Perform the Daily Safety Checks</b> .....	<b>13</b>
..... 3.1. Required Tools.....	13
..... 3.2. Daily Safety Checks.....	13
..... 3.3. Illustrated Inspections Points.....	15

## 1. Safety Guidelines



### **WARNING** - General Warning

- **Do not** perform safety checks on Technimount products, before receiving proper training.
- Perform the safety checks, as described in the operating guide. Failing to follow the recommended guidelines could cause premature damage to the product.



### **CAUTION** - Safe Handling and Operation

Improper use of the Technimount product may damage the equipment or cause injury to the patients or EMS personnel.



### **CAUTION** - Safe Practice

- Always pay close attention to the condition of the safety mechanisms to prevent undue risk to the equipment, patients, and EMS personnel. Follow the recommended guidelines described in this document.
- Always ensure that the medical device is secured in the bracket and that the locking mechanism is properly engaged before use, to prevent it from falling from the mounting system.
- Keep this document with the product at all times.
- If any serious incident occurs with the mounting system, immediately stop using the product and report this incident to Technical Support at [technicalsupport@technimount.com](mailto:technicalsupport@technimount.com) and the applicable regulatory agency.



### **CAUTION** - Working Load/Load Balance

- **Do not** overload the system. The Safe Working Load (SWL) is 13.45 lbs (6.1 kg).
- The IV pole is approved for air transport. The maximum weight capacity approved for transport is 4 L or 4 kg (135 fl oz or 8.44 lb).



### **CAUTION** - Follow Instructions for Use

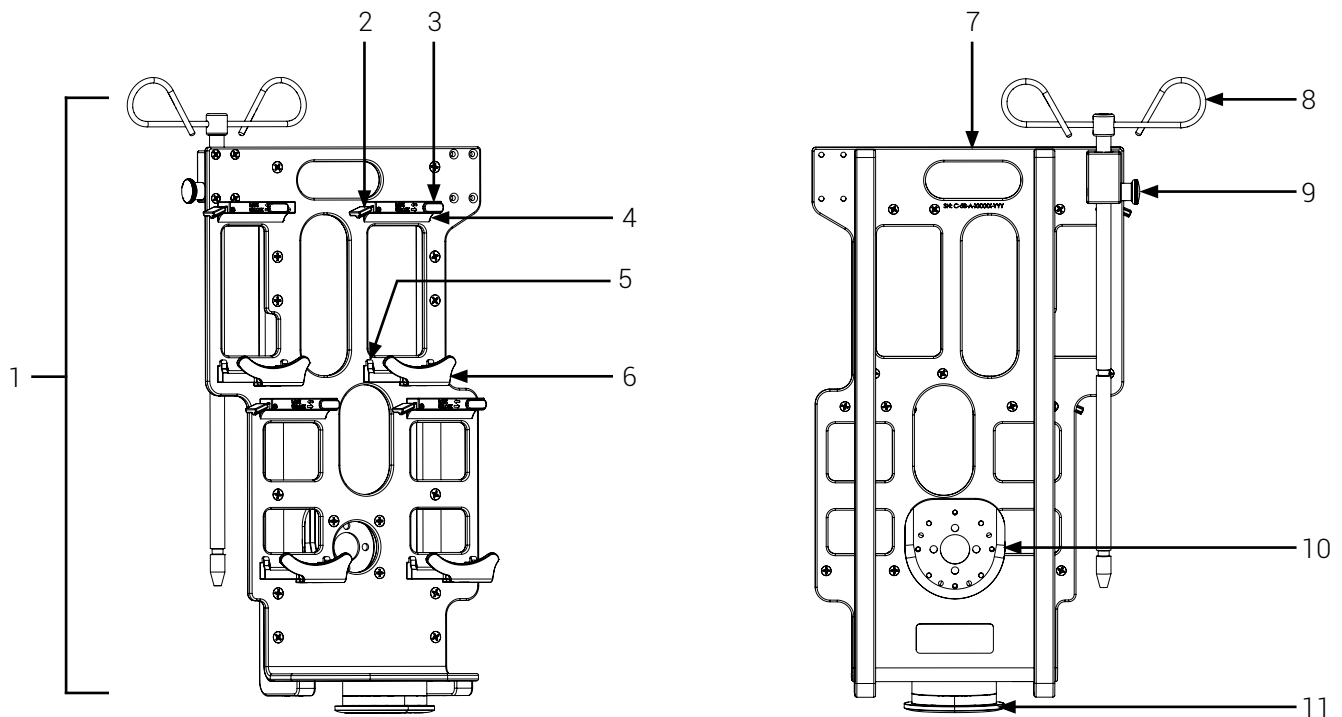
- Always read and abide by all the safety guidelines identified, as well as follow the instructions provided within this document.
- Refer to the medical device's user manual for safety precautions and user instructions for the safe use of the Sapphire infusion pumps.

## 2. Operate the Bracket Pro Serie 92 - FL4

This Operating Guide is used to help EMS personnel effectively secure the Sapphire infusion pumps in the Bracket Pro Serie 92 - FL4 during air EMS and critical care transport. For detailed product information that is not user related, refer to your supervisor or the user manual when required.

**NOTE:** Always perform the Safety checks **before** using the Bracket Pro Serie 92 - FL4. Refer to the "Daily Safety Checks" on page 13 before each use.

**NOTE:** Technimount continually seeks advancements in product design and quality. While this operating guide contains the most updated product information available at the time of printing, it may contain minor differences from the current version. For more information, please contact Customer Service at [customerservice@technimount.com](mailto:customerservice@technimount.com).

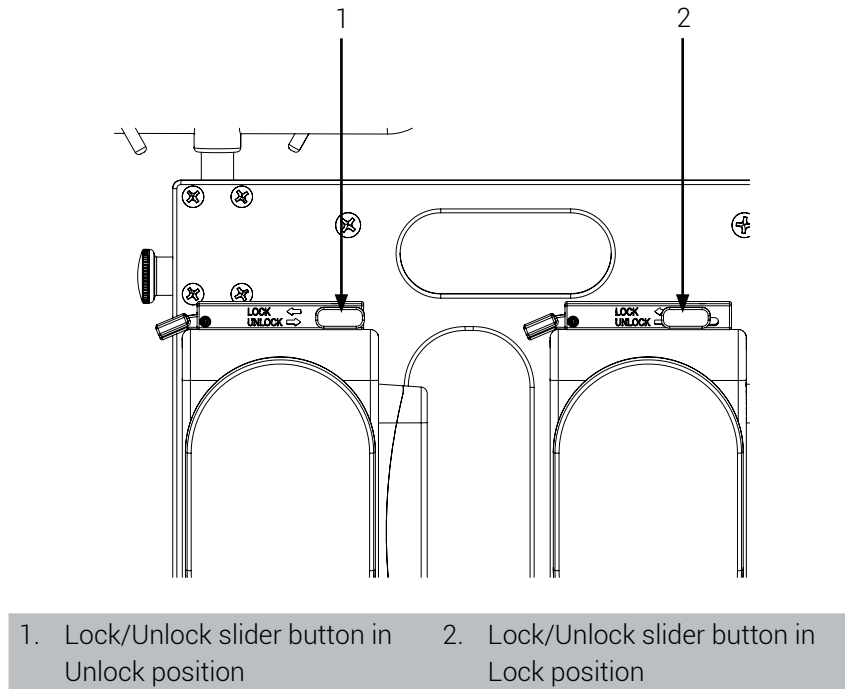


- |   |   |
|---|---|
| 1. Bracket Pro Serie 92 - FL4                   | 6. Bottom of pump holder                          |
| 2. Quick release lever (pump bracket; 4X)       | 7. Handle   |
| 3. Lock/Unlock slider button (pump bracket; 4X) | 8. IV pole  |
| 4. Top of pump holder                           | 9. Quick release knob/Height adjustment (IV pole) |
| 5. Inserts for pump                             | 10. Anti-rotation micro disc                      |
|   | 11. Micro disc                                    |

**Figure 1:** Bracket Pro Serie 92 - FL4 (front and back of bracket shown)

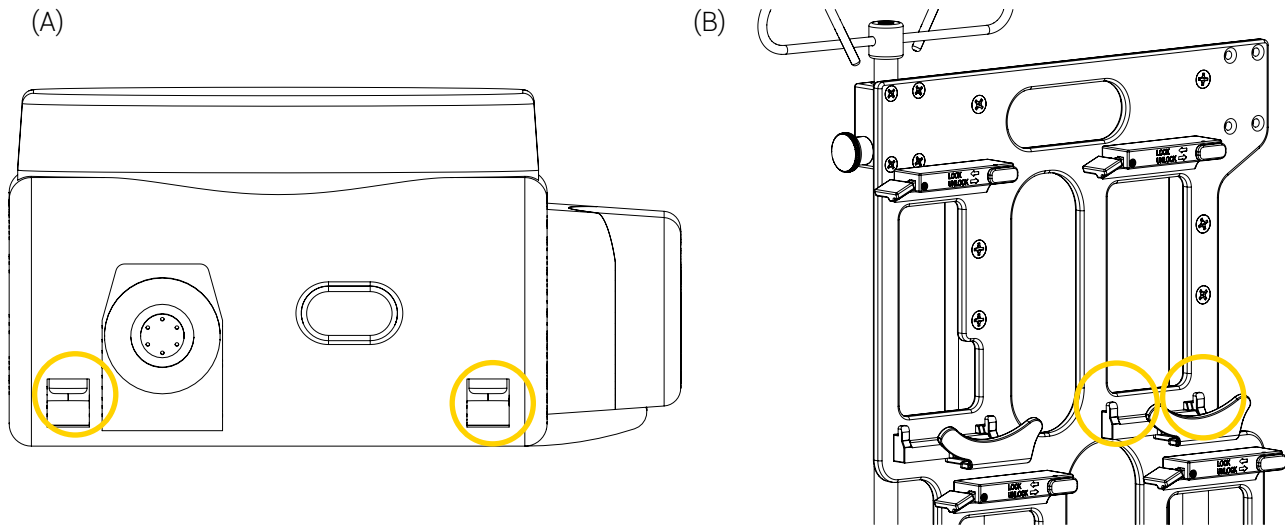
**2.1. Install the Infusion Pump in the Bracket Pro Serie 92 - FL4**

1. If the infusion pump holder is locked (Lock), move the lock/unlock slider button to the right to Unlock (Figure 2).



**Figure 2:** Unlocking the infusion pump holder

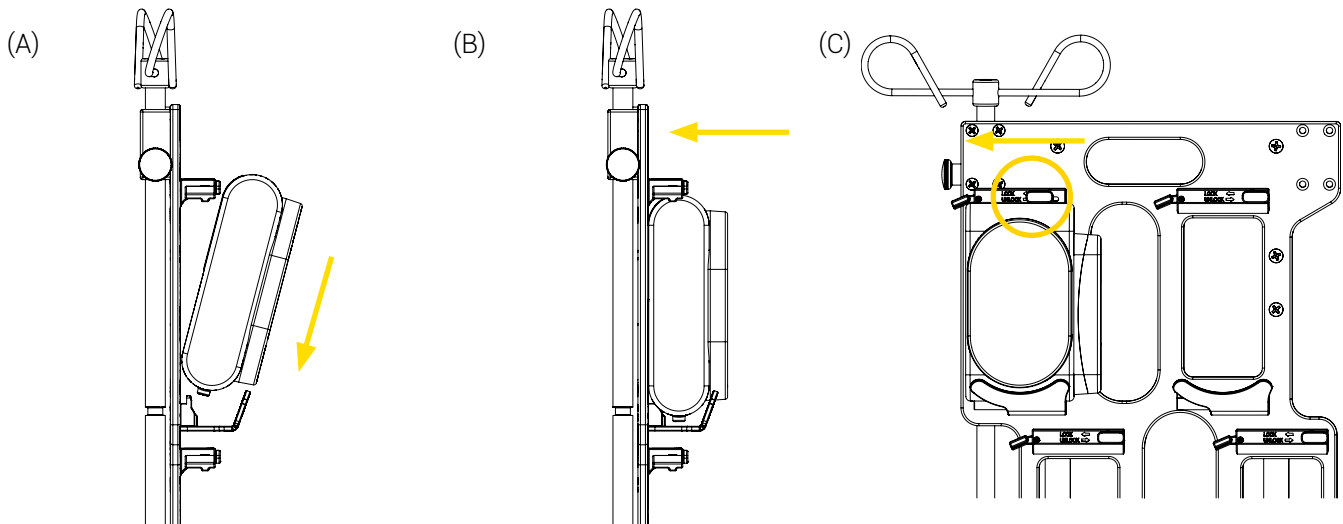
2. Locate the two (2) cavities at the bottom of the infusion pump (Figure 3 A) and two (2) inserts at the bottom of the pump holder (Figure 3 B).



**Figure 3:** Installing the infusion pump (1 of 2)

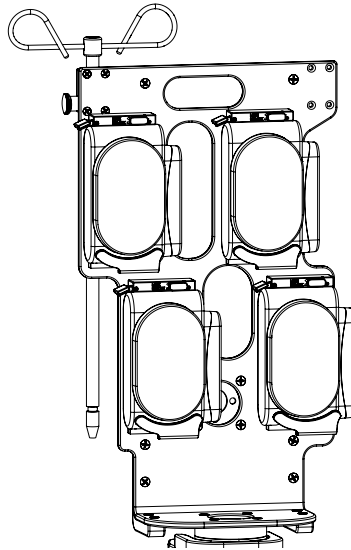
3. Angle the pump and lean it against the front fold of the pump holder, aligning the cavities with the inserts at the bottom of the pump holder (Figure 4 A).

4. Tilt the pump in an upright position in the pump holder, until you hear the click sound of the quick release mechanism engaging (Figure 4 B).
5. Move the lock/unlock slider button to the left until you hear the click sound of the locking mechanism engaging (Figure 4 C).
6. Move the pump up and down a few times to make sure the pump is locked in the holder.



**Figure 4:** Installing the infusion pump (2 of 2)

7. Repeat steps 3 to 6 until all pumps have been installed (Figure 5).



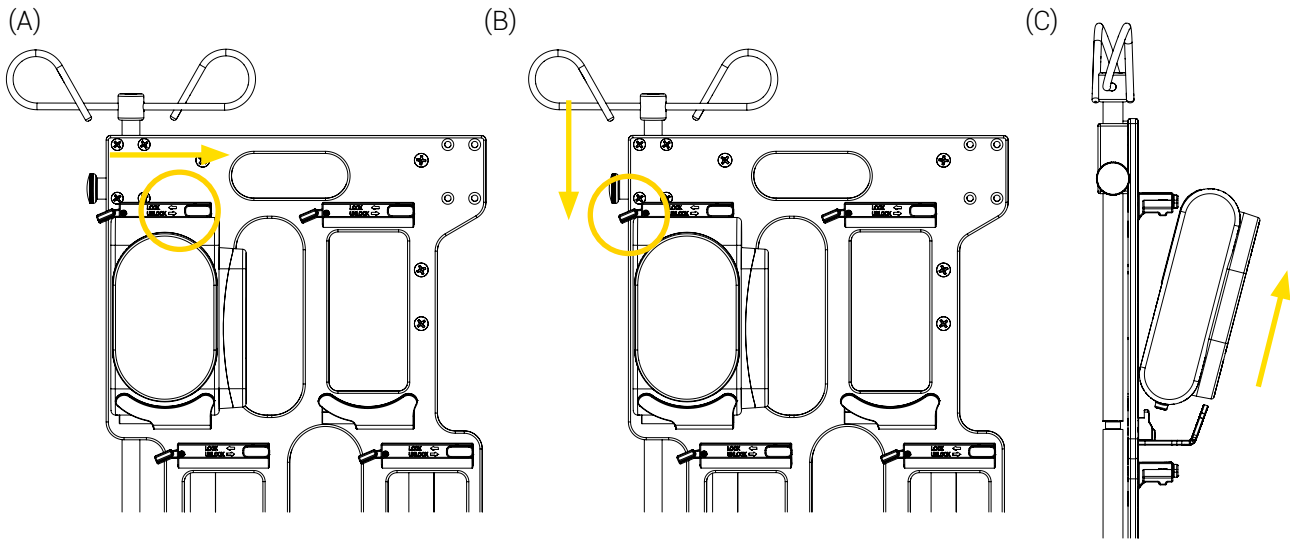
**Figure 5:** Infusion pumps installed in the Bracket Pro Serie 92 - FL4

8. Plug the infusion pumps. Refer to the medical device manufacturer documentation for proper installation, use and operation.

The installation of the infusion pumps in the Bracket Pro Serie 92 - FL4 is complete.

## 2.2. Remove the Infusion Pump from the Bracket Pro Serie 92 - FL4

1. Unplug the infusion pump(s).
2. Move the lock/unlock slider button to the right to unlock the pump (Figure 6 A).
3. Press and hold down the quick release lever (Figure 6 B).
4. Grab the pump and tilt it, leaning the pump against the front fold of the holder (Figure 6 C).
5. Lift and pull out the pump, then set it aside on a flat surface.
6. Repeat steps 1 to 5 to remove other pumps if needed.



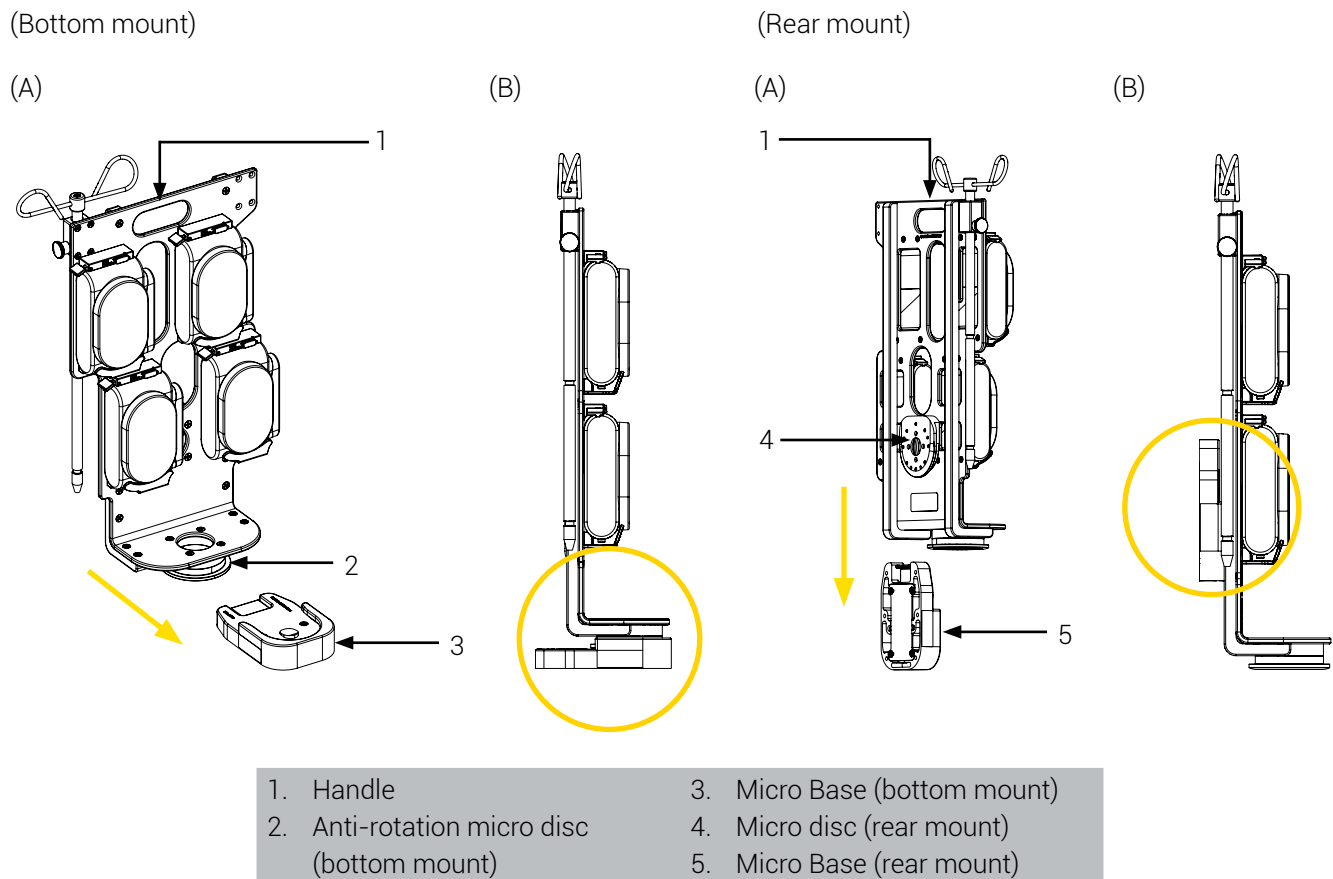
**Figure 6:** Removing the infusion pump(s)

The removal of the infusion pumps from the Bracket Pro Serie 92 - FL4 is complete.

### 2.3. Install the Bracket Pro Serie 92 - FL4 on a Micro Base

**NOTE:** Only a Technimount bracket with an anti-rotation micro disc or micro bottom disc can be installed on a Micro Base.

1. Align the anti-rotation micro disc (bottom mount) or micro disc (rear mount) with the Micro Base opening (Figure 7).
2. Insert the disc completely into the base (Figure 7), until you hear the click sound of the quick release mechanism engaging.



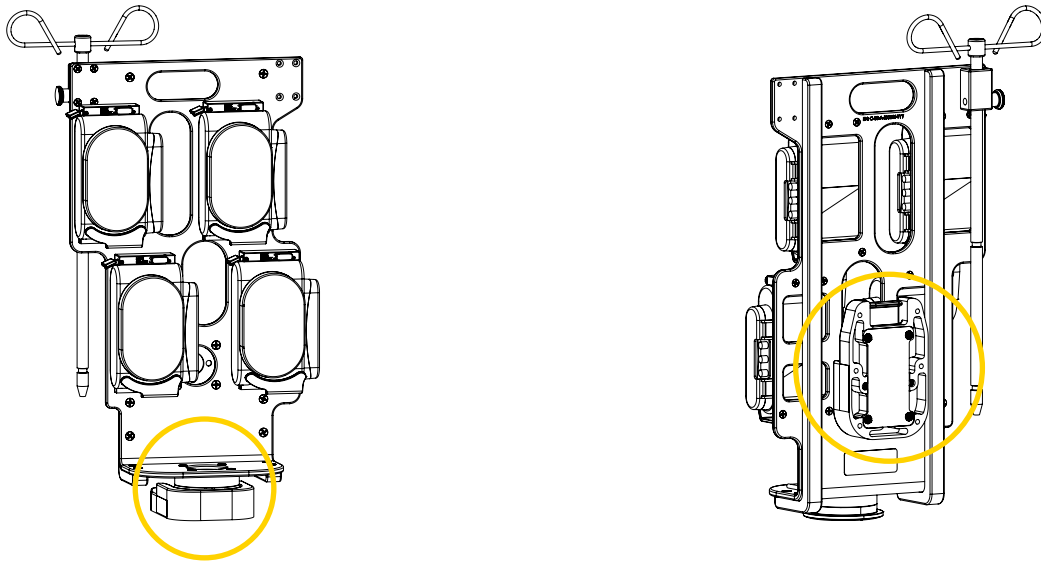
**Figure 7:** Installing the Bracket Pro Serie 92 - FL4 on a Micro Base (bottom and rear mounts shown)

3. Pull back-and-forth (bottom mount) or pull up and press down (rear mount) on the handle a few times to make sure that the bracket is properly locked in the Micro Base.

The installation of the Bracket Pro Serie 92 - FL4 on a Micro Base is complete (Figure 8).

(Bottom mount)

(Rear mount)



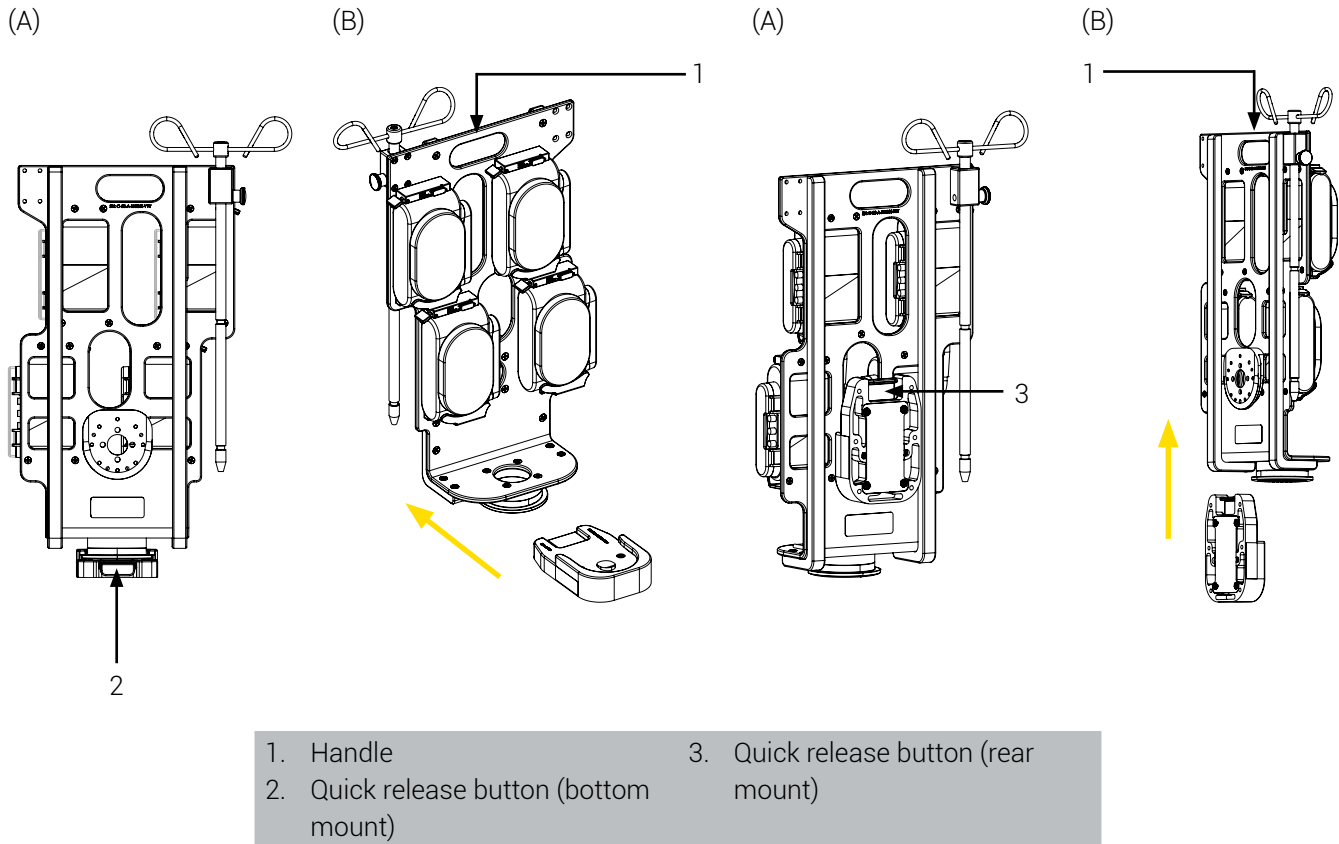
**Figure 8:** Bracket Pro Serie 92 - FL4 installed on a Micro Base (bottom and rear mounts shown)

**2.4. Remove the Bracket Pro Serie 92 - FL4 from the Micro Base**

Press and hold the quick release button of the Micro Base, then pull the medical device out of the base using the bracket handle (pull vertically for a bottom mount or upwards for a rear mount) and set it aside (Figure 9).

(Bottom mount)

(Rear mount)



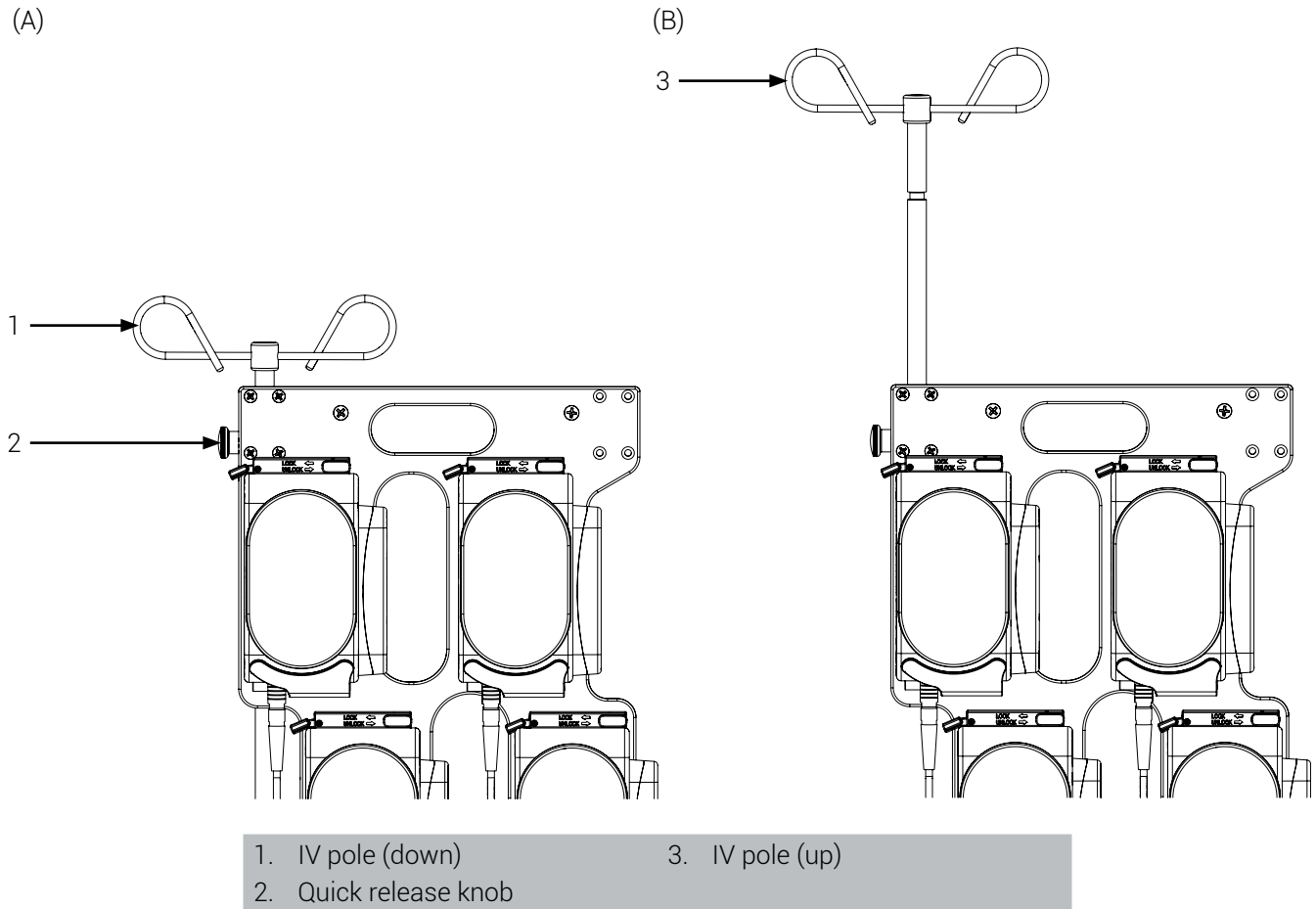
**Figure 9:** Removing the Bracket Pro Serie 92 - FL4 from the Micro Base (bottom and rear mounts shown)

The removal of the Bracket Pro Serie 92 - FL4 from the Micro Base is complete.

### 2.5. Operate the Bracket Pro Serie 92 - FL4 IV Pole

**NOTE:** The IV pole is approved for air transport. The maximum weight capacity approved for transport is 4 L or 4 kg (135 fl oz or 8.44 lb).

Pull and hold the quick release knob of the IV pole, then raise or lower the IV pole or remove it completely (Figure 10).



**Figure 10:** Bracket Pro Serie 92 - FL4 IV pole

### 3. Perform the Daily Safety Checks

Daily safety checks on Technimount products are recommended to keep them in good condition and avoid failure or injury to the patient or EMS personnel. EMS personnel should perform the daily safety checks at the beginning of each work shift.

**NOTE:** Always keep records of your all maintenance activities and immediately remove defective or expired products from your inventory.

Please contact Technical Support at [techsupport@technimount.com](mailto:techsupport@technimount.com) for replacement parts or repair related issues.

#### 3.1. Required Tools

- Clean dry cloth

#### 3.2. Daily Safety Checks

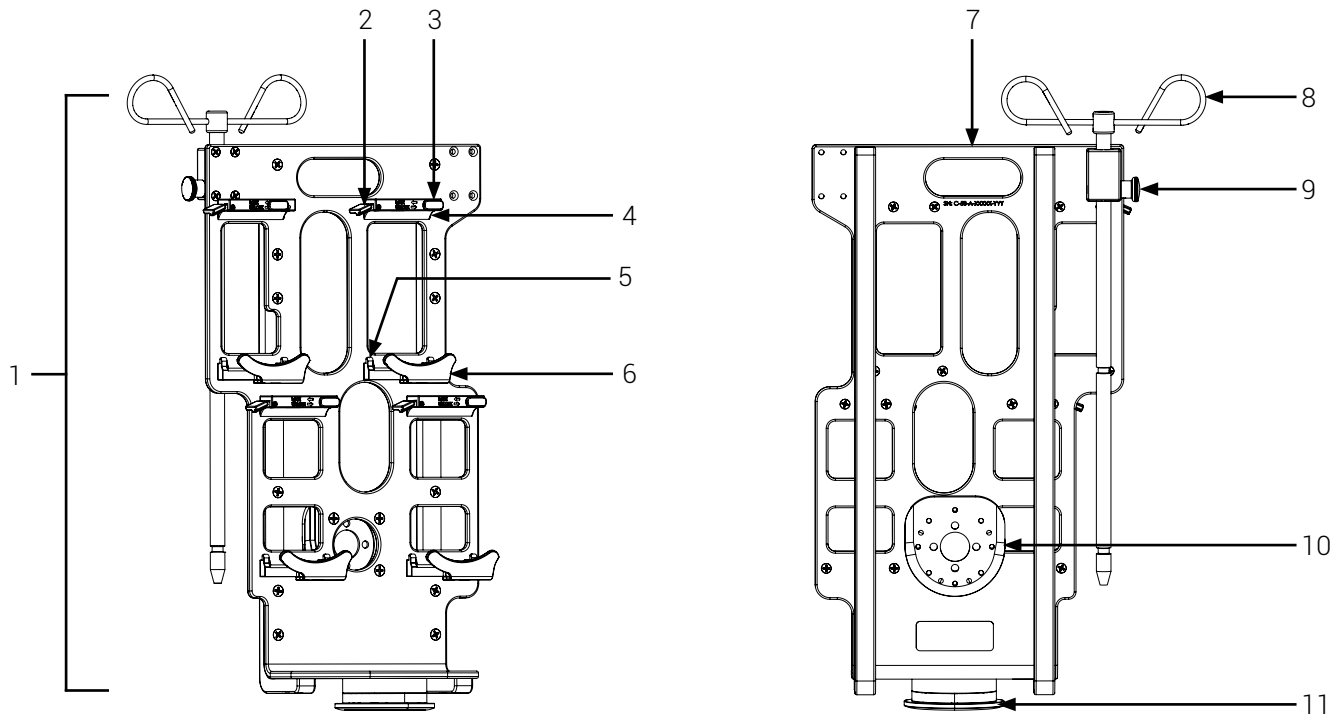
Refer to the illustrated inspection points (Figure 11), if needed.

**NOTE:** In case of a non-conformity, alert the maintenance supervisor of all non-compliances and immediately cease use.

DAILY SAFETY CHECKS	COMPLIANT	
	YES	NO
<b>INSPECTIONS</b>		
<b>Bracket Pro Serie 92 - FL4 (Figure 11)</b>		
- Visually inspect all the components of the bracket to ensure that there is no damage or chemical attack, that the hardware is in good condition and there are no loose screws.	<input type="checkbox"/>	<input type="checkbox"/>
- Visually inspect the bracket and make sure there are no lodged particles. If so, immediately remove using a clean dry cloth.	<input type="checkbox"/>	<input type="checkbox"/>
- Visually inspect the quick release lever and lock/unlock slider button of each pump holder and make sure there are no lodged particles in the cavities. If so, immediately remove using a clean dry cloth.	<input type="checkbox"/>	<input type="checkbox"/>
- Move the lock/unlock slider button of each pump holder from side to side, from the initial position to the final position to ensure of proper functioning. The button should move from side to side without any resistance and lock in the start and final positions.	<input type="checkbox"/>	<input type="checkbox"/>
- Install/remove a pump in each pump holder to ensure the proper functioning of the quick release lever and lock/unlock slider button. The pump should be easily inserted and locked in position after the click sound of the quick release lever lifting and easily removed by pressing the quick release lever while the slider button is in the unlock position.	<input type="checkbox"/>	<input type="checkbox"/>
<b>Anti-Rotation Micro Disc and Micro Disc (Figure 11)</b>		
- Visually inspect all the components of the anti-rotation micro disc and micro disc to ensure there is no damage or chemical attack and that the hardware is in good condition.	<input type="checkbox"/>	<input type="checkbox"/>
- Visually inspect the rims of the anti-rotation micro disc and micro disc to ensure there are no lodged particles. If so, immediately remove using a clean dry cloth.	<input type="checkbox"/>	<input type="checkbox"/>



3.3. Illustrated Inspections Points



- |   |   |
|---|---|
| 1. Bracket Pro Serie 92 - FL4                   | 6. Bottom of pump holder                          |
| 2. Quick release lever (pump bracket; 4X)       | 7. Handle   |
| 3. Lock/Unlock slider button (pump bracket; 4X) | 8. IV pole  |
| 4. Top of pump holder                           | 9. Quick release knob/Height adjustment (IV pole) |
| 5. Inserts for pump                             | 10. Anti-rotation micro disc                      |
|   | 11. Micro disc                                    |

**Figure 11:** Bracket Pro Serie 92 - FL4 Inspection points (front and back of bracket shown)



# TECHNIMOUNT

EMS<sup>®</sup>

Technimount EMS offers mounting solutions that can be installed on ambulance counters, walls and stretchers which allows for the equipment to follow the patient throughout the continuum of care. Our unparalleled level of flexibility allows for maximum operability in EMS, hospital and military environments.

Technimount EMS is driven to offer innovative solutions that respond to the unique device management needs of emergency and Critical Care Transport (CCT) teams for ground and air ambulances. Safety is at the core of our values, all Technimount systems are tested in compliance with the highest industry standards for impact resistance. Technimount EMS is committed to developing innovative solutions as healthcare practices evolve.

**TECHNIMOUNT E.M.S. HOLDING INC.**

3770 Jean Marchand Street, Suite 100-C  
Quebec (QC) G2C 1Y6  
Canada  
T + 1 581.700.6613  
TF + 1 888.639.2758 (North America)

**[technimount.com](http://technimount.com)**