

**TECHNIMOUNT**  
EMS®



## **BRACKET PRO SERIE® 92 - FL4**

MOUNTING SYSTEM FOR AIR AND GROUND TRANSPORT OF  
SAPPHIRE™ MULTI-THERAPY INFUSION PUMPS

### **SAFETY & FLEXIBILITY WHERE IT MATTERS MOST**

The Bracket Pro Serie® 92 - FL4 is designed for Air and Ground EMS and Critical Care Transport of up to 4 Sapphire™ Multi-Therapy Infusion Pumps.

Highly flexible, Bracket Pro Serie® 92 - FL4 easily installs and transfers between stretchers/cots, counters and walls in aircraft and ground ambulances.



**Ambulance**



**Stretcher**



**Military**



**Air**

At Technimount EMS, we understand that EMS and Critical Care Transport teams need solutions that they can rely on. We design and develop quality mounting systems which are safe and flexible, allowing them to concentrate on what matters most - patient care.

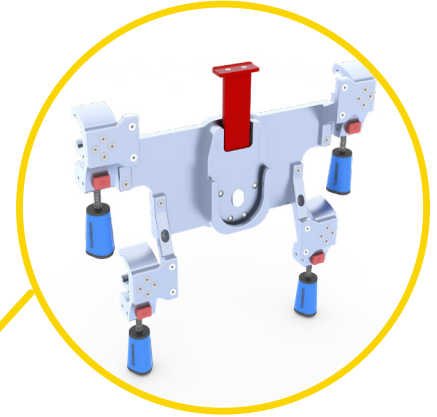
# BRACKET PRO SERIE® 92 - FL4

## POTENTIAL CONFIGURATIONS

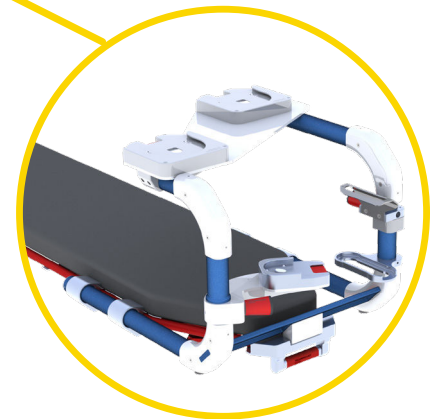
Safety MD Transporter



Wall Mount System (EU)



Safety MD Transporter  
(Horizontal)



Xtension Pro Assistant - LP

# TECHNICAL SPECIFICATIONS

<b>Product Name</b>	Bracket Pro Serie® 92 - FL4
<b>Description</b>	The mounting system is designed to secure the Sapphire infusion pump(s) during air EMS and critical care transport
<b>Part Number</b>	2300-10-MTP-FL4
<b>Features</b>	<ul style="list-style-type: none"><li>- Installation of up to 4 infusion pumps</li><li>- Anti-rotation micro disc (rear mount)</li><li>- Micro disc (bottom mount)</li><li>- Quick release mechanisms</li><li>- IV pole approved for air transport</li></ul>
<b>Operating Environment</b>	EMS/CCT (Air)
<b>Compliance</b>	Tested in compliance with FAA and AMD-028, 14 CFR § 23 & 27 (applicable sections)
<b>Compatible Mounting System</b>	<ul style="list-style-type: none"><li>- Safety MD-Transporter* (rear mount)</li><li>- Wall Mount System (rear mount)</li><li>- Micro Base (bottom and rear mount)</li><li>- Wall Mount Pro - WR</li></ul>
<b>Dimensions (W X D X H)</b>	13.63 in. X 6.52 in. X 6.18 in. (33.02 cm X 15.24 cm X 15.24 cm)
<b>Weight</b>	11.15 lbs (5.07 kg)
<b>Composition</b>	<ul style="list-style-type: none"><li>- Bracket: aluminum 6061-T6 with blue anodized finish</li><li>- Anti-rotation micro disc and micro disc: aluminum 6061-T6 with silver anodized finish</li><li>- IV pole: stainless steel</li></ul>
<b>Safe Working Load (SWL)</b>	13.45 lbs (6.1 kg)
<b>Operating Temperature</b>	- 31° F to 113° F (- 35° C to 45° C)
<b>Installation</b>	<ul style="list-style-type: none"><li>- Quick release mechanisms are used to easily install and remove the infusion pump(s) from the mounting system</li><li>- Infusion pump(s) retained in mounting system by locking mechanism(s)</li></ul>
<b>Model &amp; Configuration Options</b>	<ul style="list-style-type: none"><li>- 2300-10-MTP-FL3: 3-pump mounting system for air transport</li><li>- 2300-10-MTP-GR3: 3-pump mounting system for ground transport</li><li>- Contact Customer Service at <a href="mailto:customerservice@technimount.com">customerservice@technimount.com</a></li></ul>

\* Product and medical equipment manufacturers names are trademarks™ or registered trademarks® of their respective holders. Technimount does not have a commercial relationship with these medical equipment manufacturers.

# YOUR SAFETY IS OUR PRIORITY



## FEATURES

- ✓ Medical device retained on main assembly with individual locking mechanism on each pump holder.
- ✓ Red quick release mechanism to instantly remove the pump from its holder.
- ✓ Anti-rotation micro disc and bottom micro disc to support multiple mounting configurations on stretchers/cots, surfaces and wall systems.
- ✓ IV Pole with quick release mechanism for use during air transport.
- ✓ Designed to comply with SAE J3043 and FAA, 14 CFR § 23 (applicable sections).

## BENEFITS

- + No interference with the medical device components, cables and tubing.
- + Access to medical device from multiple angles when installed on the Xtension Pro Assistant - LP and Safety MD-Transporter.
- + Quickly install the IV Pole during air transport and store directly on the bracket when not in use.
- + Easily install and remove the medical device from the bracket to follow the patient during care.
- + Reduces risks of damage to the equipment and ensures the safety of patients and crew during EMS and critical care transport.



## SAFETY AND FLEXIBILITY WHERE IT MATTERS MOST

[technimount.com](https://www.technimount.com)

