



TECHNIMOUNT
EMS[®]

BRACKET PRO SERIE[®] 35 - HD

USER MANUAL

SAFETY AND FLEXIBILITY
WHERE IT MATTERS MOST



Copyrights

Copyright 2023 Technimount E.M.S. Holding Inc. (Technimount EMS) is an affiliated company of Technologies CGC Inc. All Rights Reserved. No part of this publication may be reproduced, transmitted, transcribed, stored in a retrieval system, translated in any language, modified in any form or by any means, without the written permission of Technimount EMS or its affiliate companies.

Trademarks

Product and medical device manufacturer names are Trademarks™ or Registered Trademarks® of their respective holders. Technimount does not have a commercial relationship with these medical device manufacturers.

- Technimount EMS® and Bracket Pro Serie® are registered trademarks of Technologies CGC Inc.
- LIFEPAK® is a registered trademark of Stryker Corporation.

For any issues with your Technimount product, its components, or for any technical questions during the installation, operation, or maintenance, please contact Technical Support at techsupport@technimount.com.

Contact Information

Technimount E.M.S. Holding Inc.

C/O: Regulatory Affairs

3770 Jean Marchand Street, Suite 100-C

Quebec (QC) G2C 1Y6

Canada

customerservice@technimount.com

techsupport@technimount.com

legal@technimount.com

www.technimount.com

T + 1 581.700.6613

TF + 1 888.639.2758 (North America)

Table of Contents

Copyrights	ii
Trademarks	ii
Contact Information	ii
1. General Mentions and Considerations	4
..... 1.1. Intended Use	4
..... 1.2. User Competency	4
..... 1.3. Warranties	4
..... 1.3.1. Warranty Policy	4
..... 1.3.2. Limited Warranty	5
..... 1.3.3. International Warranty Clause	5
..... 1.3.4. User Liability	5
..... 1.4. Claims	5
..... 1.4.1. Damaged or Defective Merchandise	5
..... 1.4.2. Return Policy	6
..... 1.4.3. Return of Material Authorization (RMA)	6
..... 1.4.4. Claim Process	6
2. General Safety Guidelines	7
..... 2.1. Symbols and Definitions	7
..... 2.2. Labels	8
..... 2.3. Safety Measures	9
3. Technical Specifications	10
4. Unpack the Mounting System	11
5. Bracket Pro Serie 35 - HD Illustrated Parts	12
6. Install the LIFEPAK 15 Monitor/defibrillator in the Bracket Pro Serie 35 - HD	13
..... 6.1. Required Parts	13
..... 6.2. Required Tools	13
..... 6.3. Prepare for the Installation of the LIFEPAK 15	13
..... 6.4. Install the LIFEPAK 15 in the Bracket Pro Serie 35 - HD	14
7. Maintenance	17
..... 7.1. Required Tools	18
..... 7.2. Condition-Based Maintenance Plan	18
8. Spare Parts	20

1. General Mentions and Considerations

Intended for the purchaser/supervisor, this user manual contains detailed product information and was designed to assist with the unpacking, assembly (when indicated), and maintenance of the Bracket Pro Serie 35 - HD mounting system. Its content should be relayed to EMS personnel during training. This document should be used with the operating guide, which contains specific user-related information such as the operating procedures and the daily safety checks.

NOTE: Technimount continually seeks advancements in product design and quality. While this user manual contains the most updated product information available at the time of printing, it may contain minor differences from the current version. For more information, please contact Customer Service at customerservice@technimount.com.

1.1. Intended Use

The Bracket Pro Serie 35 - HD is designed to secure the Stryker LIFEPAK 15 monitor/defibrillator during emergency medical services and critical care transport.

1.2. User Competency

The Bracket Pro Serie 35 - HD is intended for EMS personnel who have received the proper training, necessary to operate the device in the field, according to its intended use, as outlined in this user manual and operating guide. Please read all provided documentation thoroughly before using this device to ensure the safe operation of this device and provide a safe environment for patients and EMS personnel.

1.3. Warranties

1.3.1. Warranty Policy

This statement constitutes Technimount's entire warranty policy with regards to Technimount products. Technimount makes no other warranty or representation, neither expressed nor implied, except as stated herein. There is no warranty of merchantability or warranty of fitness for any particular purpose. Under no circumstances will Technimount be held liable hereunder for incidental or consequential damages, arising from or in any manner, related to sales or use of any such device.

Technimount E.M.S. Holding Inc. (Technimount) guarantees to the original "Purchaser" of the "Product" with which this "Limited warranty" is included, that the product will be free from "Defects" in workmanship and materials under normal use for a "Warranty period" of one (1) year from the product purchase date by the purchaser. During the warranty period, the product will be repaired or replaced according to the "Limited warranty" without charge to the purchaser for parts or labor. The parts and product may be repaired or replaced with new or refurbished parts or products. Herein this Limited Warranty, "Refurbished" means parts and products which have been returned to the factory, specifically. If the product is repaired or replaced within the warranty period, the greater of the remaining warranty period will apply, or three (3) months from the date of repair or replacement. If the product is repaired or replaced after the warranty period has expired, the warranty period for the repair or replacement will expire three (3) months after the repair or replacement date.

1.3.2. Limited Warranty

Technimount products are intended to retain medical devices in place in the case of a single crash impact. Technimount products must not be reused if involved in a crash and must thereafter be replaced. If the end user uses a Technimount product following a crash, it is at the end user's own risk. Technimount will not be held liable.

The limited warranty does not apply to normal wear that could result from normal use. It does not apply when the product or any of its components have been disassembled or repaired by someone not authorized by "Technimount". It does not cover repair or the replacement of any product or part thereof damaged by neglect, misuse, moisture, liquids, exposure to heat, accidents, abuse, and non-compliance with the instructions for installation and use provided with the product.

The limited warranty does not cover physical damage to the surface of the product. The decision to repair, replace or refuse the coverage is final and at the sole discretion of Technimount, without any compensation or obligation from Technimount. The product defined as a "Mounting system", "Mounting solution" or "Bracket" used to attach and secure the medical devices, is specifically designed to fill this requirement. Any other use will void the warranty and Technimount shall not be held liable on any claim if the product has been modified or adapted for use.

1.3.3. International Warranty Clause

This warranty abides by the Canadian domestic policy. Warranty outside Canada may vary by country. Please contact Customer Service at customerservice@technimount.com for more information.

1.3.4. User Liability

The purchaser and administrator are responsible to validate regulations and standards for safety in their region, to comply with applicable safety regulations. Technimount is not responsible to inform the purchaser or the administrator of any applicable legislation for safety in their area.

The purchaser and administrator are responsible for providing proper training on the installation, operation and maintenance of Technimount products to anyone susceptible of contact with the product prior to use.

1.4. Claims

1.4.1. Damaged or Defective Merchandise

ICC Regulations require that claims for damaged merchandise must be made with the carrier within fifteen (15) days of the reception date. Do not accept damaged merchandise unless such damage is noted on the delivery receipt at the time of reception. Upon prompt notification, Technimount will file a freight claim with the appropriate carrier for damages incurred. Claims are limited in amount to the actual replacement cost. If the claim has not been received by Technimount within the fifteen (15) day period following the date of delivery, or the damage was not noted on the delivery receipt at the time of receipt, the customer will be responsible for the full payment of the original invoice.

Claims for any short or broken merchandise must be made within thirty (30) days of invoicing. Refer to section 1.4.4 for the detailed claim process.

1.4.2. Return Policy

Technimount's mounting and bracket systems for portable medical device may be returned up to sixty (60) days from the reception date, if:

- The received product does not match what was originally ordered.
- The product does not meet the Technimount technical sheet specifications.
- The product is not compatible with the device on which it was intended to be installed onto.

To return a Technimount product,

- A Return of Merchandise Authorized (RMA) must be requested and approved by Technimount prior to returning the product.
- Products must be returned undamaged and in its original packaging, appropriately identified with the approved RMA number. Returns will not be approved on a modified or damaged item.
- Charges may apply if the package received is damaged or items are missing.
- Purchaser is responsible for a restocking fee (refer to Table 1).

Table 1: Restocking fees

RESTOCKING FEES	
Prior to thirty (30) days	10%
Prior to forty-five (45) days	25%
Prior to sixty (60) days	30%

For any manufacturing defect, refer to the conditions within the warranty policy in section 1.3.1 or contact Customer Service at customerservice@technimount.com for additional information.

1.4.3. Return of Material Authorization (RMA)

The Technimount Customer Service department is responsible for all merchandise returns and will provide a Return of Merchandise Authorization (RMA) number, upon approval. The RMA must be printed and placed on the returned merchandise. Technimount reserves the right to charge shipping and restocking fees (refer to Table 1) for the returned items. Special, modified, or discontinued items are not subject to returns.

1.4.4. Claim Process

Upon reception of the returned merchandise, a thorough inspection will be performed. If the merchandise is compliant with the return policy or it is found that the product is defective, Technimount will take corrective actions and close the claim. If, however, it is found that the product is not defective, but rather misused or abused, the product will not be covered by the warranty. Details of our findings and conclusions will be provided shortly thereafter. To submit a claim, contact Customer Service at customerservice@technimount.com to obtain a Return of Material Authorization (RMA) form and return instructions.

2. General Safety Guidelines

Pictograms, safety symbols and labels are used to alert the user to a potentially hazardous situation, which, if not avoided, may result in minor or moderate injury to the user or patient or cause damage to the device or other property. This includes the special care necessary for the safe and effective use of the device to avoid damage that may occur from use or misuse. The terms "Warning" and "Caution" herein carry special meaning and should be carefully reviewed.

WARNING - Indicates a hazardous situation that, if not avoided, could result in death or serious injury.

CAUTION - Indicates a hazardous situation that, if not avoided, could result in minor or moderate injury.

Always read and abide by all the safety guidelines identified within this document.

2.1. Symbols and Definitions



WARNING - General Warning

Alerts the reader of a potentially hazardous situation, which, if not avoided, may result in death or serious injury to the user or patient or cause damage to the device or other property. This includes the special care necessary for the safe and effective use of the device to avoid damage that may occur from use or misuse.



WARNING - Safe Working Load/Load Balance

Indicates the total maximum charge for a safe use of device.



CAUTION - General Mandatory Action

Call for action. Alerts the reader to potential risk to people not following the mandatory action specified by the supplementary sign.

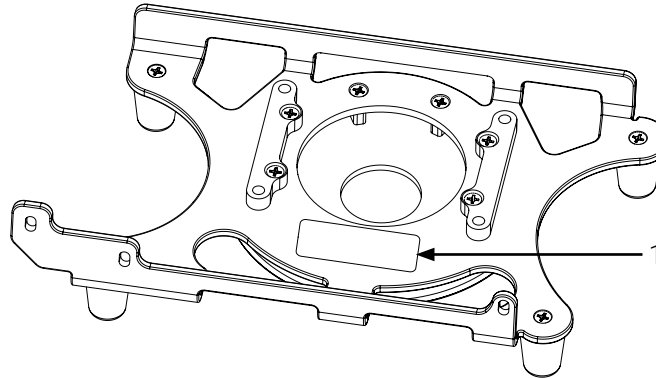


CAUTION - Follow Instructions for Use

Call for action. Reminds the reader to consult the user manual for information.

2.2. Labels

Labels (if applicable) on the surface of the Technimount product, quickly identify potential risks and provides information to the user. A manufacturing label, including a serial number (Figure 1), can be seen on the Technimount product.



- 1. Manufacturing label

Figure 1: Location of the manufacturing label (front of bracket shown)

2.3. Safety Measures

Carefully read all safety measures herein before installing, operating, or performing the maintenance of the Technimount product.



WARNING - Risk of Injury

Regulations and standards for safety are the sole responsibility of the end user. Ensure that the installation specifications meet the local and regional compliance requirements before use. Product incompatibility could cause unpredictable functioning resulting in injury to the patients or EMS personnel.



CAUTION - Safe Handling and Operation

- **Do not** modify the product, or any of its components and use only as described in this user manual. Modifying the product or improper use could cause unpredictable functioning, resulting in injury to the patients or EMS personnel.
- The administrator is responsible for providing proper training to any personnel who will install, operate, and perform maintenance on Technimount products.
- Improper use of the Technimount product may damage the device or cause injury to the patients or EMS personnel.



CAUTION - Safe Practice

- Always pay close attention to the condition of the safety mechanisms, to prevent undue risk to the device, patients, and EMS personnel. Follow the recommended maintenance plan and its guidelines, as described in the user manual and operating guide.
- Always ensure that the medical device is secured in the bracket and that the locking mechanism is properly engaged before use, to prevent it from falling from the mounting system.
- Always keep the user manual and operating guide within reach of the product, even if the device is subsequently sold, to prevent undue risk to the device, patients, and EMS personnel. The user documentation is an integral part of the device.
- Practice installing, removing, and safely operating the medical device until the manipulations have been perfected, before use with patients. Improper use of any Technimount product may damage the device or cause injury to the patients or EMS personnel.
- If any serious incident occurs with the mounting solution, immediately stop using the product, and report this incident to Technical Support at technicalsupport@technimount.com and the applicable regulatory agency.



CAUTION - Working Load/Load Balance

Do not overload the system. The Safe Working Load (SWL) is 26 lbs (11.8 kg). The Bracket Pro Serie 35 - HD, medical device, accessory bags and monitor/defibrillator accessories can weigh up to 30 lbs (13.6 kg). Follow proper lifting techniques to prevent injuries.



CAUTION - Follow Instructions for Use

- Always read and abide by all the safety guidelines identified, as well as follow instructions provided within this document.
- Refer to the medical device's user manual for safety precautions and user instructions for the safe use of the Stryker LIFEPAK 15 monitor/defibrillator, accessory bags and monitor/defibrillator accessories.

3. Technical Specifications

Product Name	Bracket Pro Serie® 35 - HD
Description	The mounting system is designed to secure the Stryker LIFEPAK® 15 monitor/defibrillator during emergency medical services and critical care transport
Part Number	<ul style="list-style-type: none"> - 210-11-PC15-HD (Bracket Pro Serie® 35 - HD) - 100-20-UN (Standard Surface Base)
Features	<ul style="list-style-type: none"> - Compatible with multiple mounting configurations on surfaces, stretchers and cots - Compatible with or without accessory bags - Access to top, side and rear accessory bags, screen, connectors and monitor/defibrillator accessories
Operating Environment	EMS/CCT (Ground), Hospital/Clinic, Military
Compliance	Tested in compliance with SAE J3043 and AMD-028
Compatible Mounting System	<ul style="list-style-type: none"> - Standard Surface Base - Safety Arm System™ - Wall Mount Pro - Floor Mount System - Xtension Pro™ Assistant - CCT
Dimensions (W X D X H)	11.38 in. X 7.4 in. X 2.2 in. (28.91 cm X 18.8 cm X 5.6 cm)
Weight	2.3 lbs (1.1 kg)
Composition	<ul style="list-style-type: none"> - Bracket: aluminum 6061-T6 with black anodized finish - Standard bottom disc: aluminum 6061-T6 with 304 stainless steel inserts and peek cushions - Feet: acetal
Safe Working Load (SWL)	26 lbs (11.8 kg)
Operating Temperature	- 31° F to 113° F (- 35° C to 45° C)
Installation	Monitor/defibrillator retained in bracket by 4 screws
Model & Configuration Options	<ul style="list-style-type: none"> - 210-12-PC15-LP: Bracket Pro Serie® 35 - LP (Ground) - Contact Customer Service at customerservice@technimount.com

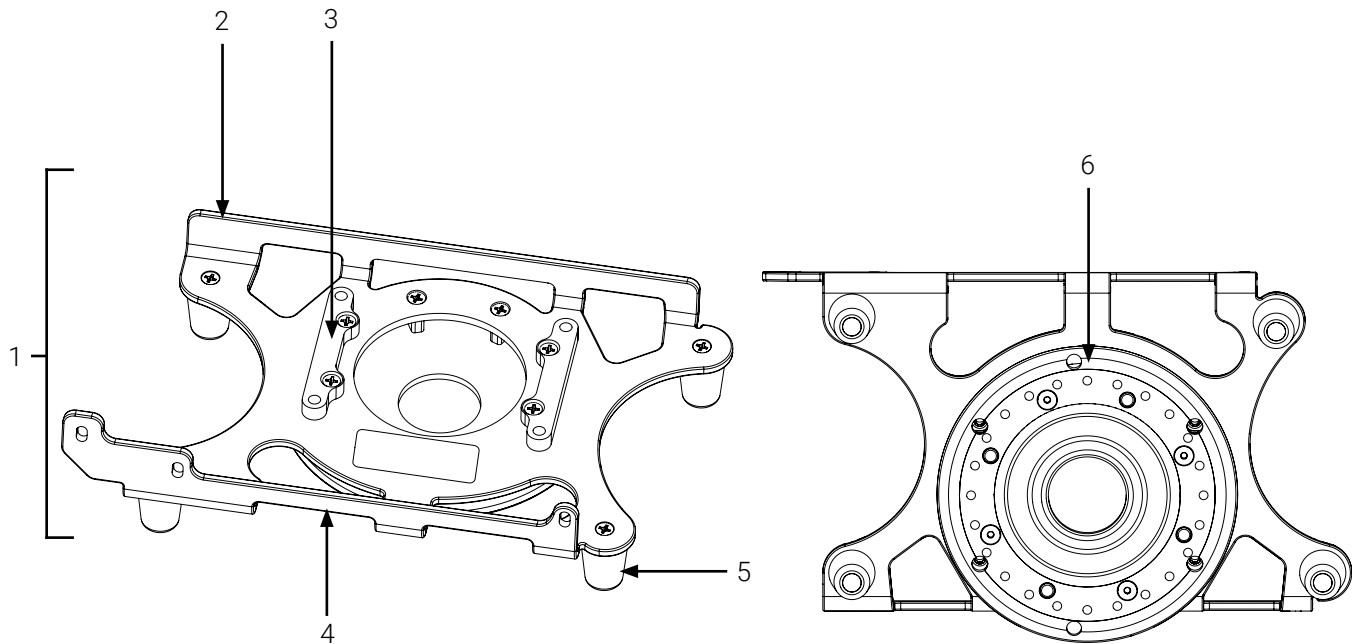
4. Unpack the Mounting System

1. Inspect the shipping box(es) for signs of damage, before accepting shipment. Take pictures and report them promptly if applicable.
2. Move the shipping box(es) to the location of the installation.
3. Open the shipping box(es).
4. Unpack the box(es) and ensure that all shipping and packaging materials have been properly removed, prior to installation.

NOTE: Keep all packaging material for future use.

5. Identify all the components and hardware included for installation, then set aside. Refer to Section 5 for the illustrated parts, if needed.
6. Inspect the items for signs of damage. Take pictures and report them promptly if applicable.

5. Bracket Pro Serie 35 - HD Illustrated Parts



- | | |
|------------------------------|-------------------------|
| 1. Bracket Pro Serie 35 - HD | 4. Front fold |
| 2. Rear fold | 5. Foot (4X) |
| 3. Spacer (2X) | 6. Standard bottom disc |

Figure 2: Bracket Pro Serie 35 - HD (front and bottom of bracket shown)

6. Install the LIFEPAK 15 Monitor/defibrillator in the Bracket Pro Serie 35 - HD

6.1. Required Parts

- Bracket Pro Serie 35 - HD
- Phillips pan head screws 6-32 X 5/8 in. (3X)
- Flat washers (3X)
- Phillips pan head screws 8-32 X 7/8 in. (4X)
- Lock washers (4X)

6.2. Required Tools

- Phillips screwdriver #2
- Medium strength thread lock adhesive (herein illustrated as "💧")

NOTE: Prior to the installation, put a few drops of medium strength thread lock adhesive on each screw to avoid premature loosening of screws during normal use.

6.3. Prepare for the Installation of the LIFEPAK 15

NOTE: The Bracket Pro Serie 35 - HD can secure the monitor/defibrillator alone or with its accessory bags. If using accessory bags, they must be installed on the LIFEPAK 15 prior to the installation of the BP 35-HD.

If required, remove the four (4) screws under the medical device (Figure 3 A) and the three (3) screws on the front protector (Figure 3 B). Refer to the medical device manufacturer documentation for proper use and operation.

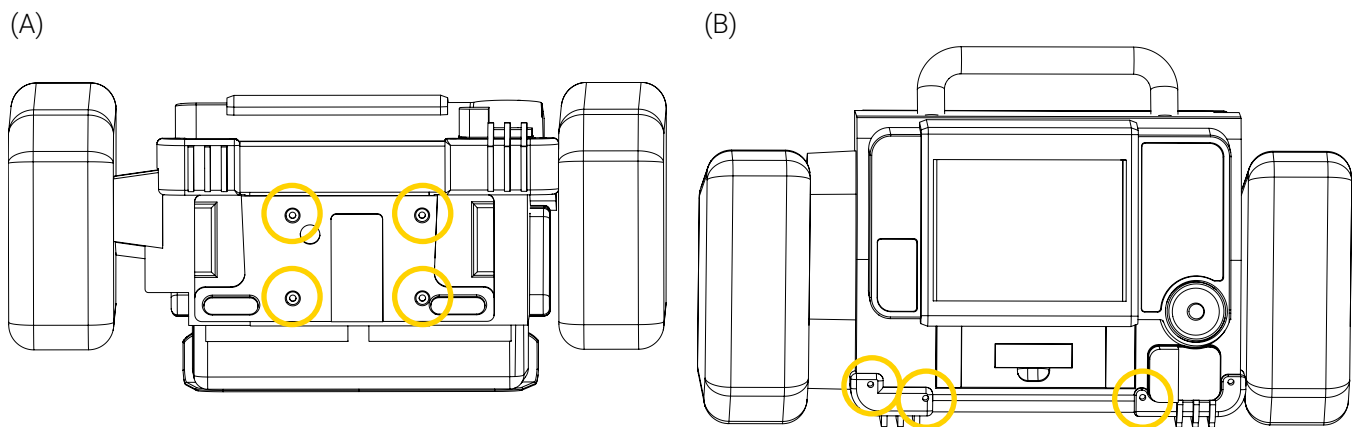


Figure 3: Preparing the medical device

The preparation for the installation of the medical device is complete.

6.4. Install the LIFEPAK 15 in the Bracket Pro Serie 35 - HD

1. Lift the medical device using the handle and insert it centered in the bracket, aligning the bottom edges of the monitor/defibrillator between the rear fold and front fold of the bracket (Figure 4 A).
2. Ensure that the screw holes of the medical device and bracket are aligned (Figure 4 B).

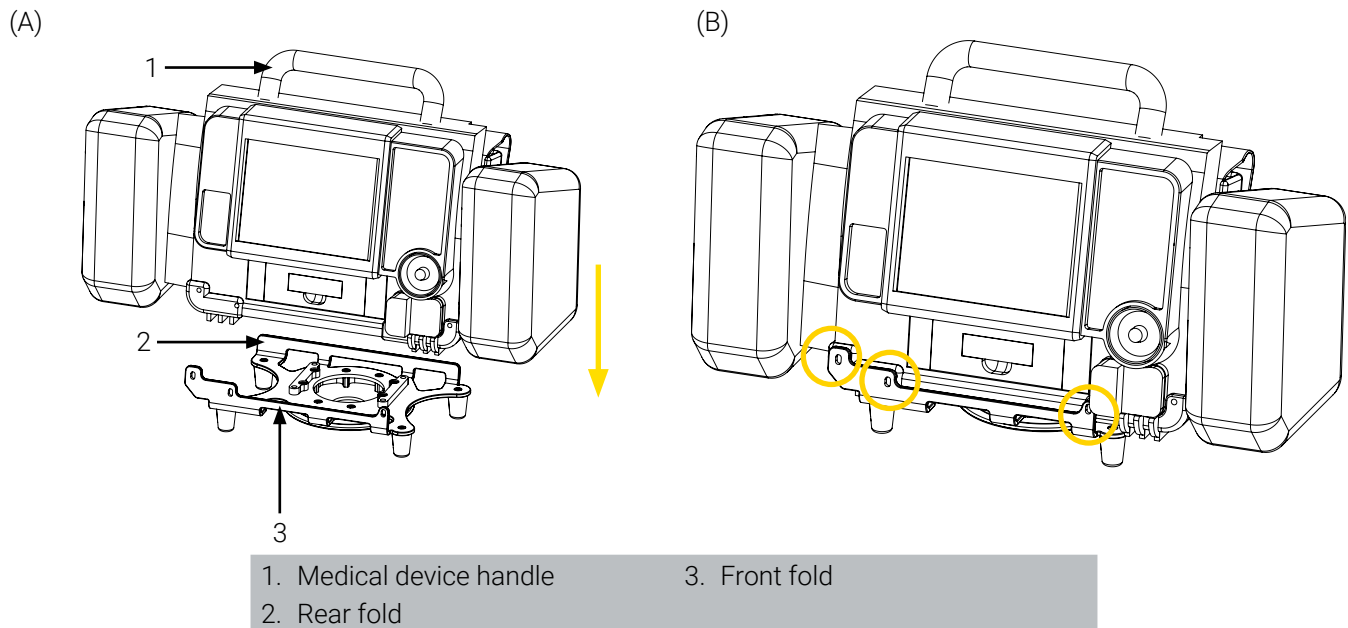


Figure 4: Installing the medical device in the Bracket Pro Serie 35 - HD

3. Holding the bracket over the medical device, flip the monitor/defibrillator on its back to access and align the screw holes under the bracket (Figure 5 A).
4. Secure the bracket under the medical device using four (4) pan head screws 8-32 x 7/8 in., thread lock adhesive, four (4) lock washers and a Phillips screwdriver #2 (Figure 5 A).
5. Ensure that the bottom screws have been properly inserted and tightened (Figure 5 B; 2 of 4 screws shown).

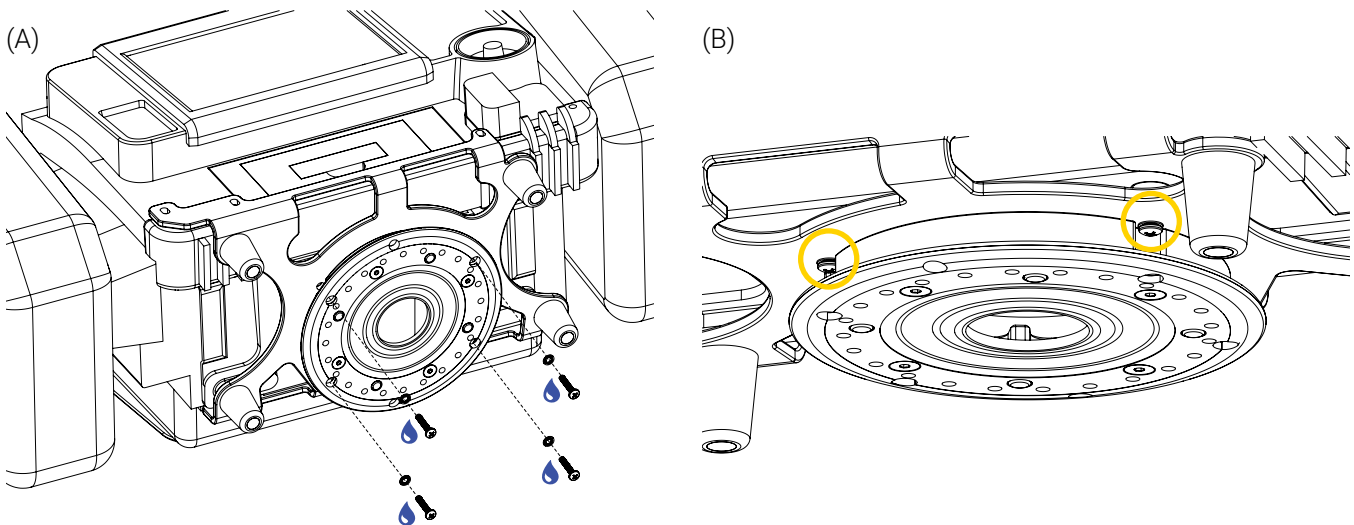


Figure 5: Installing the medical device in the Bracket Pro Serie 35 - HD (1 of 2)

6. Lift the medical device up on its feet.
7. Secure the bracket at the front of the medical device using three (3) pan head screws 6-32 x 5/8 in., thread lock adhesive, three (3) flat washers and a Phillips screwdriver #2 (Figure 6).

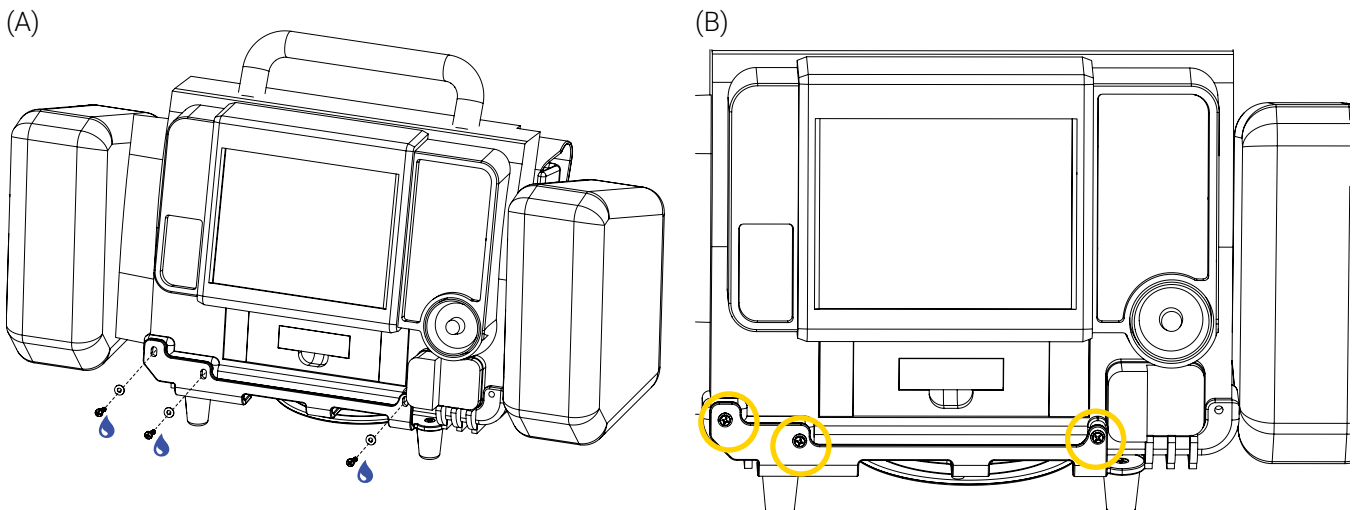


Figure 6: Installing the medical device in the Bracket Pro Serie 35 - HD (2 of 2)

8. Holding the bracket down, move the monitor/defibrillator back-and-forth, and pull it upwards a few times to ensure that it is secured in the bracket.

The medical device is ready for EMS transport (Figure 7).

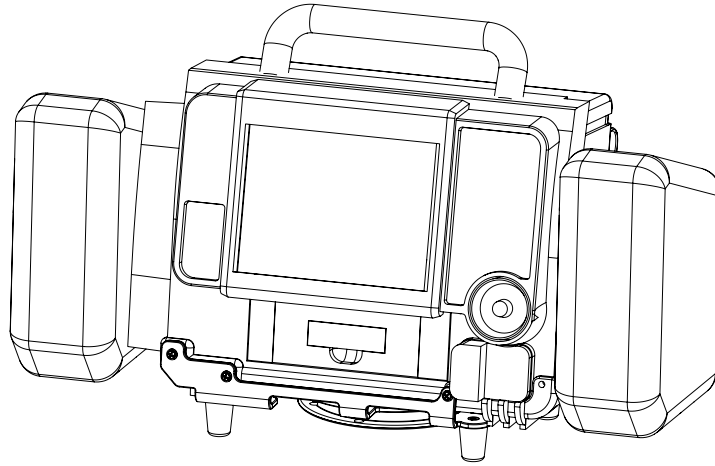


Figure 7: Medical device installed in Bracket Pro Serie 35 - HD

7. Maintenance

Daily safety checks (refer to the Bracket Pro Serie 35 - HD Operating Guide) and a condition-based maintenance plan (section 7.2) are required and should be established for all Technimount devices. Factors such as weather, environment, geographical location and individual usage will necessitate different needs. For the maintenance of the Bracket Pro Serie 35 - HD, follow the guidelines listed in the user manual, operating guide and in accordance with your service's current maintenance practices and protocols.

NOTE: Always keep records of your all maintenance activities and immediately remove defective or expired products from your inventory.

Please contact Technical Support at techsupport@technimount.com for replacement parts or repair related issues.



WARNING - General Warning

- **Do not** perform maintenance on Technimount products, before receiving proper training.
- Perform maintenance operations, as described in this user manual. Failing to follow the recommended maintenance plan or its guidelines could cause premature damage to the product.
- Use only Technimount parts, maintenance procedures, cleaning solutions and lubricants, as described in the user manual. Using unapproved modified parts or procedures for the installation, operation, or maintenance of the Technimount product may cause the device to be unstable and could cause injury to the patients or EMS personnel and void the product warranty.
- Replace damaged or worn-out parts if past their expected service life or when damaged (refer to the Technical Specifications in Chapter 3 of this user manual). Recycle damaged parts or dispose according to the environmental laws that apply to your jurisdiction and consult the Safety Data Sheets (SDS).



CAUTION - Safe Handling and Operation

- **Do not** steam clean or use ultrasonic cleaners on the system or any of its components.
- **Do not** immerse the metal parts/components in water.
- To spot clean, the maximum water temperature should not exceed 180° F/82° C. The maximum water pressure should not exceed 1500 psi/103.5 BAR. If using a pressure washer to clean the unit, the pressure nozzle must be kept a minimum of 24 in. (61 cm) from the unit.
- Always rinse and dry the mounting systems properly after using cleaning products. Certain types of cleaners may leave a corrosive residue on the surface of the product and could cause the premature corrosion of critical components. Refer to the product Safety Data Sheets (SDS) for chemical information or handling, storage and emergency measures in case of accident.



CAUTION - Corrosion

- Some cleaning products are corrosive in nature and may cause damage to the product if used improperly. When cleaning, always use appropriate personal protection device (PPE) based on established protocols (e.g., gloves, eyewear, etc.).
- Dispose of corrosive wastes according to the environmental laws that apply to your jurisdiction and consult the Safety Data Sheets (SDS).

7.1. Required Tools

- Clean dry cloth
- Soft brush
- Power washer
- Sodium Thiosulfate solution

7.2. Condition-Based Maintenance Plan

Condition-based maintenance is carried out by the maintenance supervisor when the safety checks have revealed underlining issues that need immediate attention and/or to prolong the longevity of the system in optimal conditions. The maintenance supervisor should perform condition-based maintenance minimally every three (3) months, or when required. In case of a non-conformity, immediately stop using the product and contact Technical Support at technicalsupport@technimount.com for a remedial action plan.

CONDITION-BASED MAINTENANCE TASKS	DONE	
	YES	NO
Safety Checks Perform the safety checks (Refer to the Bracket Pro Serie 35 - HD Operating Guide) to get an overview of the system's current condition.	<input type="checkbox"/>	<input type="checkbox"/>
Clean the System 1. If needed, rough clean the standard bottom disc using a soft brush to remove grease and dirt. 2. Remove the contaminants collected during the use of the product using a power washer. 3. Clean using a solution of 0.13 oz/3.70 ml Sodium Thiosulfate in 1 pt./0.5 L of warm water and clean cloth. For stains, spot clean applying the solution directly on the stain and let stand on the surface. NOTE: Avoid over saturation and ensure that the product does not stay wet longer than the cleaner's manufacturer guidelines for proper disinfecting. 4. Thoroughly rinse the solution with clean water and clean cloth, then towel dry all the components before returning to service.	<input type="checkbox"/>	<input type="checkbox"/>
Inspect the Hardware 1. Make sure all the screws are accounted for and that there are no gaps under the head of the screws and/or washers. 2. Make sure there are no loose screws.	<input type="checkbox"/>	<input type="checkbox"/>

8. Spare Parts

Technimount reserves the right to change part numbers and products without notice. Please contact Customer Service at customerservice@technimount.com to ensure product options and availability, or Technical Support at techsupport@technimount.com for replacement parts or repair related issues.

PART/KIT NUMBER	PART/KIT DESCRIPTION
210-11-PC15-HD	Bracket Pro Serie® 35 - HD
954-00-LP15-HD	Screw kit for bracket installation (7X)
923-00-1282-INS ¹	Acetal foot, 1.282 in. (hardware included)
Contact Customer Service	Bracket Pro Serie® mounting systems

¹ Installation requires thread lock adhesive #262



TECHNIMOUNT EMS[®]

Technimount EMS offers mounting solutions that can be installed on ambulance counters, walls and stretchers which allows for the device to follow the patient throughout the continuum of care. Our unparalleled level of flexibility allows for maximum operability in EMS, hospital and military environments.

Technimount EMS is driven to offer innovative solutions that respond to the unique device management needs of emergency and Critical Care Transport (CCT) teams for ground and air ambulances. Safety is at the core of our values, all Technimount systems are tested in compliance with the highest industry standards for impact resistance. Technimount EMS is committed to developing innovative solutions as healthcare practices evolve.

TECHNIMOUNT E.M.S. HOLDING INC.

3770 Jean Marchand Street, Suite 100-C
Quebec (QC) G2C 1Y6
Canada
T + 1 581.700.6613
TF + 1 888.639.2758 (North America)

technimount.com