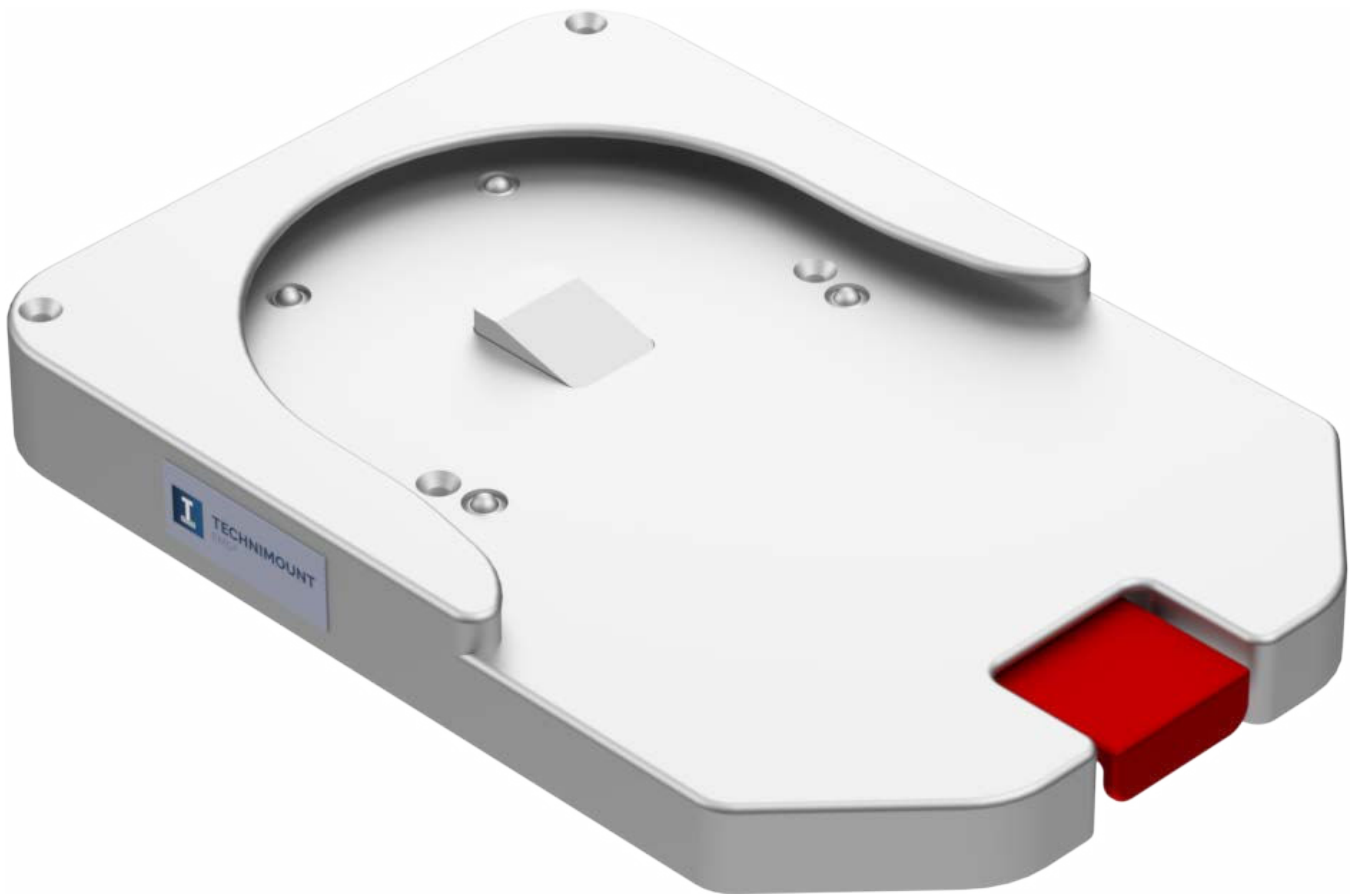




TECHNIMOUNT
EMS®

EXTENDED SURFACE BASE

USER MANUAL



SAFETY AND FLEXIBILITY
WHERE IT MATTERS MOST

Copyrights

Copyright 2026 Technimount E.M.S. Holding Inc. is an affiliated company of Technologies CGC Inc. All Rights Reserved. No part of this publication may be reproduced, transmitted, transcribed, backed-up on a retrieval system, translated in any language, modified in any form or by any means, without the written permission of Technimount or its affiliate companies.

Trademarks

Product and medical device manufacturer names are Trademarks™ or Registered Trademarks® of their respective holders.

- Technimount EMS®, Bracket Pro Serie®, Safety Arm System® and Xtension Pro® are a registered trademarks of Technologies CGC Inc.
- Oxivir® is a registered trademark of Diversey.
- Lavo® is a registered trademark of KIK Holdco Company, Inc.

For any issues with your Technimount product, its components, or for any technical questions during the installation, operation, or maintenance, please contact Technical Support at techsupport@technimount.com.

Contact Information

Technimount E.M.S. Holding Inc.

C/O: Regulatory Affairs

3770 Jean Marchand Street, Suite 100-C

Quebec (Quebec) G2C 1Y6

Canada

customerservice@technimount.com

techsupport@technimount.com

legal@technimount.com

www.technimount.com

T + 1 581 700-6613

SF + 1 888 639-2758 (North America)

Table of Contents

Copyrights	ii
Trademarks	ii
Contact Information	ii
1. General Mentions and Considerations	5
..... 1.1. Intended Use	5
..... 1.2. User Competency	5
..... 1.3. Warranties	6
..... 1.3.1. Warranty Policy	6
..... 1.3.2. Limited Warranty	6
..... 1.3.3. International Warranty Clause	7
..... 1.3.4. User Liability	7
..... 1.4. Claims	7
..... 1.4.1. Damaged or Defective Merchandise	7
..... 1.4.2. Return Policy	7
..... 1.4.3. Return of Material Authorization (RMA)	8
..... 1.4.4. Claim Process	8
2. General Safety Guidelines	9
..... 2.1. Symbols and Definitions	9
..... 2.2. Labels	10
..... 2.3. Safety Measures	11
3. Technical Specifications	14
4. Orientation Illustrations	15
5. Illustrated Parts	16
6. Illustrated Dimensions	17
7. Safety Mechanism	18
8. Operate the Extended Surface Base	19
..... 8.1. Install the Mounting Bracket in the Extended Surface Base	19
..... 8.2. Remove the Mounting Bracket from the Extended Surface Base	20
Annex I Skills Assessment of the EMS and Clinical Personnel	21
Annex II Unpack the Extended Surface Base	23
Annex III Install the Extended Surface Base on a Horizontal Surface	24
..... Estimated Installation Time	24

..... Included Parts	24
..... Customer-provided Tools/Hardware	24
..... Installation Procedure.....	25
Annex IV Maintenance.....	27
..... Maintenance Frequency.....	28
..... Customer-provided Tools.....	28
..... Tested and Approved Cleaning Solutions.....	28
..... Maintenance Plan.....	29
..... Safety Checks.....	29
..... Condition-Based Maintenance.....	30
..... Maintenance Log	31
..... Illustrated Inspection Points.....	32
Annex V Print to Scale Drilling template.....	34

1. General Mentions and Considerations

This user manual includes detailed product information, standards and guidelines to assist the administrator/ manager/supervisor and biomedical technician (or equivalent) with the unpacking, assembling (when indicated), maintenance, training and skills assessment of the EMS and clinical personnel, as well as specific user-related information to safely and effectively operate the Extended Surface Base.

Please read the user manual thoroughly to fully assess, comprehend, then relay its content to EMS and clinical personnel during training, to warn them of any potential danger of its abuse, how to safely use the product and provide a safe environment for patients as well as themselves. Your established internal protocols should be updated to include the Technimount product(s) standards, guidelines, requirements and safety recommendations included within this documentation. The user manual should remain available to users when needed and relayed if the product is subsequently sold.

NOTE : Technimount continually seeks advancements in product design and quality. While the user manual contains the most updated product information available at the time of printing, it may contain minor differences from the current version, including image references. For more information, please contact Technical Support at techsupport@technimount.com.

NOTE : Technimount reserves the right to change part numbers and products without notice. Please contact Customer Service at customerservice@technimount.com to ensure product options and availability.

1.1. Intended Use

The Extended Surface Base is a mounting system designed to aid trained EMS and clinical personnel secure and transport medical devices and accessories in various applications during ground emergency medical services and critical care transport.

1.2. User Competency

To safely operate the Extended Surface Base, personnel must have the required skill level to comply with their function and level of interaction with the mounting system. Training should be given to EMS and clinical personnel prior to them using the Extended Surface Base. Refer to the « Skills Assessment of the EMS and Clinical Personnel » section on page 21 to evaluate their competency.



Indicates who the content is intended for and the level of competency required. The definitions of the three (3) levels of competency are specified below.

- **Competent (trained EMS and clinical personnel):** Has received the required training, is sufficiently knowledgeable to safely operate the product and have passed the skills assessment (refer to the « Skills Assessment of the EMS and Clinical Personnel » section on page 21).

NOTE : Any member of the EMS and clinical personnel who has not received the required training and lacks the knowledge needed to safely operate the mounting system must not use the product.

- **Proficient (administrator/manager/supervisor):** Has in-depth knowledge and product comprehension, and is familiar with standards and guidelines. Skilled to train the EMS and clinical personnel on how to safely use the product.
- **Advanced (biomedical technician or equivalent):** Has extensive mechanical experience. Skilled to perform the unpacking, assembly, safety checks and condition-based maintenance procedures as detailed herein, or the basic troubleshooting, upgrade and/or replacement procedures if applicable.

1.3. Warranties

1.3.1. Warranty Policy

This statement constitutes Technimount's entire warranty policy with regards to Technimount products. Technimount makes no other warranty or representation, neither expressed nor implied, except as stated herein. There is no warranty of merchantability or warranty of fitness for any particular purpose. Under no circumstances will Technimount be held liable hereunder for incidental or consequential damages, arising from or in any manner, related to sales or use of any such product.

Technimount E.M.S. Holding Inc. guarantees to the original "Purchaser" of the "Product" with which this "Limited warranty" is included, that the product will be free from "Defects" in workmanship and materials under normal use for a "Warranty period" of one (1) year from the product purchase date by the purchaser. During the warranty period, the product will be repaired or replaced according to the "Limited warranty" without charge to the purchaser for parts or labor. The parts and product may be repaired or replaced with new or refurbished parts or products. Herein this Limited Warranty, "Refurbished" means parts and products which have been returned to the factory, specifically. If the product is repaired or replaced within the warranty period, the greater of the remaining warranty period will apply, or three (3) months from the date of repair or replacement. If the product is repaired or replaced after the warranty period has expired, the warranty period for the repair or replacement will expire three (3) months after the repair or replacement date.

1.3.2. Limited Warranty

Technimount products are intended to secure in place medical devices only in the case of a single crash impact, and must thereafter be immediately replaced. If the end user uses a Technimount product following a crash impact, it is at the end user's own risk, and Technimount will not be held liable.

The limited warranty does not apply to normal wear that could result from normal use. It does not apply when the product or any of its components have been disassembled or repaired by someone not authorized by "Technimount". It does not cover repair or the replacement of any product or part thereof damaged by neglect, misuse, moisture, liquids, exposure to heat, accidents, abuse, and non-compliance with the instructions for installation and use provided with the product. It does not cover physical damage to the surface of the product. The decision to repair, replace or refuse the coverage is final and at the sole discretion of Technimount, without any compensation or obligation from Technimount. The product, defined as a "mounting system" or "base", is specifically designed to secure and transport medical devices and accessories in various applications during ground emergency medical services and critical care transport, and should only be used to fulfill this requirement. Any other use will void the warranty and Technimount shall not be held liable on any claim if the product has been modified or adapted for use.

1.3.3. International Warranty Clause

This warranty abides by the Canadian domestic policy. Warranty outside Canada may vary by country. Please contact Customer Service at customerservice@technimount.com for more information.

1.3.4. User Liability

The purchaser and administrator are responsible to validate regulations and standards for safety in their region, to comply with applicable safety regulations. Technimount is not responsible to inform the purchaser or the administrator of any applicable legislation for safety in their area.

The administrator is responsible for providing proper training to any personnel who will install, operate and perform maintenance on Technimount products.

1.4. Claims

1.4.1. Damaged or Defective Merchandise

ICC Regulations require that claims for damaged merchandise must be made with the carrier within fifteen (15) days of the reception date. **Do not accept** damaged merchandise unless such damage is noted on the delivery receipt at the time of reception. Upon prompt notification, Technimount will file a freight claim with the appropriate carrier for damages incurred. Claims are limited in amount to the actual replacement cost. If the claim has not been received by Technimount within the fifteen (15) day period following the date of delivery, or the damage was not noted on the delivery receipt at the time of receipt, the customer will be responsible for the full payment of the original invoice.

Claims for any short or broken merchandise must be made within thirty (30) days of invoicing. For details, refer to the « Claim Process » section on page 8 or contact Customer Service at customerservice@technimount.com.

1.4.2. Return Policy

Technimount products may be returned up to sixty (60) days from the reception date, if:

- The received product does not match what was originally ordered.
- The product does not meet the Technimount technical sheet specifications.
- The product is not compatible with the system on which it was intended to be installed on.

To return a Technimount product,

- A Return of Merchandise Authorized (RMA) must be requested and approved by Technimount prior to returning the product.
- Products must be returned undamaged and in its original packaging, appropriately identified with the approved RMA number. Returns will not be approved on a modified or damaged item.
- Charges may apply if the package received is damaged or items are missing.
- Purchaser is responsible for a restocking fee (refer to « Table 1: Restocking fees » on page 8).

Table 1: Restocking fees

RESTOCKING FEES	
Prior to thirty (30) days	10%
Prior to forty-five (45) days	25%
Prior to sixty (60) days	30%

For any manufacturing defect, refer to the conditions within the warranty policy or contact Customer Service at customerservice@technimount.com for additional information.

1.4.3. Return of Material Authorization (RMA)

The Technimount Customer Service department is responsible for all merchandise returns and will provide a Return of Merchandise Authorization (RMA) number, upon approval. The RMA must be printed and placed on the returned merchandise. Technimount reserves the right to charge shipping and restocking fees (refer to « Table 1: Restocking fees ») for the returned items. Special, modified, or discontinued items are not subject to returns.

1.4.4. Claim Process

Upon reception of the returned merchandise, a thorough inspection will be performed. If the merchandise is compliant with the return policy or it is found that the product is defective, Technimount will take corrective actions and close the claim. If, however, it is found that the product is not defective, but rather misused or abused, the product will not be covered by the warranty. Details of our findings and conclusions will be provided shortly thereafter. To submit a claim, contact Customer Service at customerservice@technimount.com to obtain a Return of Material Authorization (RMA) form and return instructions.

2. General Safety Guidelines



The content in this section is intended for personnel who have a competent, proficient or advanced level of competency. Refer to the « User Competency » section on page 5 if needed.

Pictograms, safety symbols and labels are used to alert the user to a potentially hazardous situation, which, if not avoided, may endanger the patients or the EMS and clinical personnel, and/or damage the product. This includes the special care necessary for the safe and effective use of the Technimount product to avoid damage that may occur from use or misuse.

The terms "Warning" and "Caution" herein carry special meaning and should be carefully reviewed before reading the « Safety Measures » section on page 11.

WARNING – Indicates a hazardous situation that, if not avoided, could result in death or serious injury, and/or damage the product.

CAUTION – Indicates a hazardous situation that, if not avoided, could result in minor or moderate injury, and/or damage the product.

2.1. Symbols and Definitions



WARNING – Risk of Injury

Indicates when a misuse of the Technimount product could result in injuries to the patients or EMS and clinical personnel, and/or damage to the product.



CAUTION – Safe Practice

Alerts the reader to pay special attention to the recommendations and methods outlining how to safely operate the product to minimize risks to the patients, EMS and clinical personnel, and/or to the product.



CAUTION – Safe Handling and Operation

Alerts the reader to pay special attention to the recommendations for safe use of the product, and of potentially hazardous situations that could result in minor injuries to the patients or EMS and clinical personnel. This includes the special care necessary for the safe and effective use of the product to avoid damage that may occur from use or misuse.



CAUTION – Safe Working Load (SWL)/Load Balance



Indicates the maximum charge for a safe use of the product.

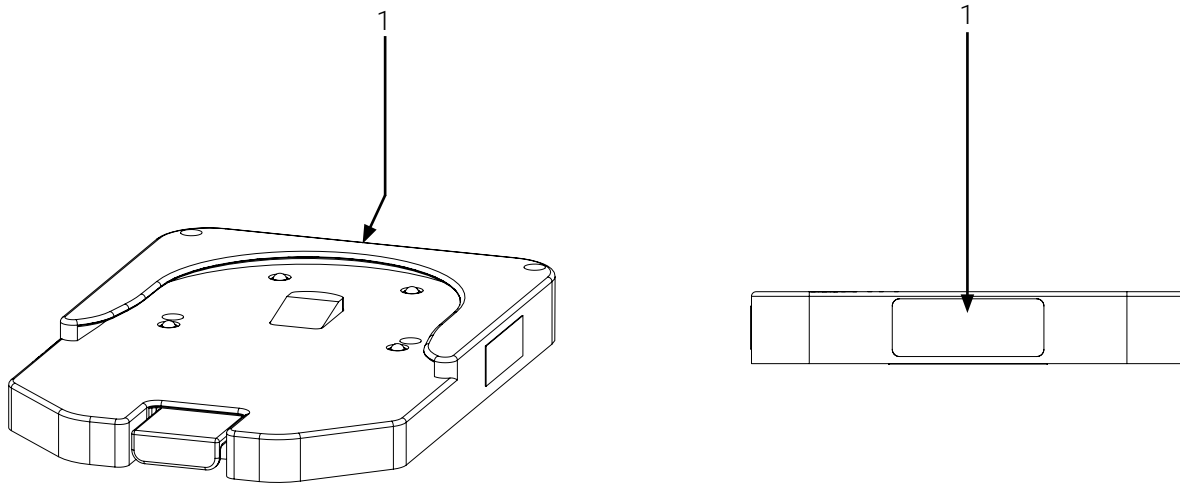


CAUTION – Follow Instructions for Use

Call for action. Reminds the reader to consult the user manual for information.

2.2. Labels

Labelling on the surface of the Technimount product, quickly identify potential risks and provides information to the user. A manufacturing label, including the serial number and the safe working load specifications (Figure 1), can be seen on the Technimount product.



1. Manufacturing label

Figure 1: Location of the manufacturing label

2.3. Safety Measures

Carefully read all the safety measures herein before operating the Technimount product, and always abide by all the safety guidelines identified within this document.

Specific safety measures relating to the safety checks and the conditioned-based maintenance, intended for personnel who have an advanced level of competency, can be found in the « Maintenance » section on page 27.



WARNING – Unauthorized Systems

- **Under no circumstances** should the Extended Surface Base be installed on, connected to, or used in combination with any third party/competitor mounting system, base, bracket, or similar equipment, unless Technimount has provided a formal written confirmation of compatibility for the specific configuration.
- The Extended Surface Base was engineered and tested exclusively for use with approved Technimount components and systems. Using any unauthorized and/or incompatible system may cause the equipment to fall, operate unpredictably, or fail, resulting in serious injury to the patients or to the EMS and clinical personnel.
- Technimount assumes no responsibility for any damage, malfunction, or injury arising from use of unauthorized or incompatible systems. Using any unauthorized and/or incompatible system may result in non-compliance with the applicable safety standards and will immediately void all warranties and liability coverage.
- Technimount products are intended for use only within their defined applications, including but not limited to, emergency medical services, critical care transport, and approved healthcare environments. Refer to the « Technical Specifications » section on page 14.
- Regulations and standards for safety are the sole responsibility of the end user. Ensure that your established internal protocols are updated and meet the technical specifications requirements herein (refer to the « Technical Specifications » section on page 14), as well as the local and regional compliance requirements before use.

**WARNING – Proper Installation**

- Technimount products should only be installed on rigid, structural surfaces that are suitable for their intended use, provided that all the applicable safety and structural requirements are met.
- Before installation, the mounting surface must be inspected and approved by qualified personnel (e.g., fleet maintenance, mechanical engineering, specialists, or regulatory-approved authorities) to ensure compliance with Technimount's specifications and instructions, the structural integrity of the supporting structure isn't compromised, the mounting surface can safely support all applied loads under normal use conditions, and that the installation won't interfere with other critical systems or safety equipment.
- Improper installations and/or installations on surfaces that haven't been inspected and approved by qualified personnel may cause the equipment to fall, operate unpredictably, or fail, resulting in serious injury to the patients or to the EMS and clinical personnel.
- Technimount assumes no responsibility for any damage, malfunction, or injury arising from improper installations and/or installations on surfaces that haven't been inspected and approved according to these requirements.
- Follow the installation instructions as detailed in the « Install the Extended Surface Base on a Horizontal Surface » section on page 24 for a safe and reliable installation of your Extended Surface Base, to avoid risks that may cause the equipment to fall, operate unpredictably, or fail, resulting in serious injury to the patients or to the EMS and clinical personnel.

**WARNING – Risk of Injury**

- **Do not use** the Extended Surface Base if there are any loose or missing screws, to avoid risks that may cause damage or the equipment to fall or operate unpredictably, resulting in serious injury to the patients or to the EMS and clinical personnel.
- The Extended Surface Base should only be used for ground emergency medical services and critical care transport.
- Immediately stop using the Extended Surface Base if any serious incident occurs and inform authorized personnel, to contact the Technical Support at technicalsupport@technimount.com for a remedial action plan and to report the incident to the applicable regulatory agency.

**CAUTION – Safe Handling and Operation**

- Always ensure that the mounting bracket is secured in the Extended Surface Base before it is used, to avoid risks that may cause damage or the equipment to fall or operate unpredictably, resulting in serious injury to the patients or to the EMS and clinical personnel.
- Always pay close attention **not to wedge** the power cords or tubing during the installation/removal of the mounting bracket in/from the Extended Surface Base.

**CAUTION – Safe Practice**

- Always pay close attention to the safety mechanism of the Extended Surface Base, to avoid risks that may cause damage or the equipment to fall or operate unpredictably, resulting in serious injury to the patients or to the clinical personnel. Follow the recommended maintenance plan and its guidelines, as described in this user manual.
- Always practice safely operating the Extended Surface Base until the manipulations have been perfected, before use with patients. Improper use of the mounting system may cause damage or the equipment to fall or operate unpredictably, resulting in serious injury to the patients or to the EMS and clinical personnel.



CAUTION – Safe Working Load (SWL)/Load Balance

- **Do not overload or exceed** the total Safe Working Load (SWL) of the Extended Surface Base, to avoid tipping incidents or risks of collapsing. Refer to the « Technical Specifications » section on page 14 for the SWL specifications.
- The Safe Working Load (SWL) of the Extended Surface Base **does not override** the maximum load capacity of another Technimount product or system, neither those of the medical devices, accessories and/or medical equipment accessories that could be placed in bags and drawers for example. To comply with the SWL specification, the entire configuration should be taken into account. Refer to the user documentation of each product applicable to your specific configuration for specifications.



CAUTION – Follow the Instruction for Use

Always refer to your established internal protocols, as well as read and abide by the safety guidelines and instructions provided in the user documentation of the Extended Surface Base, the mounting bracket, the medical device and/or the accessory.

3. Technical Specifications



The content in this section is intended for personnel who have a competent, proficient or advanced level of competency. Refer to the « User Competency » section on page 5 if needed.

Product Name	Extended Surface Base
Description	Mounting system designed to secure and transport medical devices and accessories in various applications during ground emergency medical services and critical care transport
Product Code	110-20-UN
Operating Environment	EMS/CCT (ground)
Compliance	Tested in compliance with SAE J3043 and AMD-028: 2024
Expected Service Life	5 years
Compatible Mounting System	<ul style="list-style-type: none"> - Bracket Pro Serie product line - Horizontal surfaces (counter tops, crash carts, etc.) - Floor Mount
Compatible Accessories	Mounting brackets with a standard bottom disc
Dimensions (W X D X H)	202.18 mm X 287.53 mm X 31.75 mm (7.96 in. X 11.32 in. X 1.25 in.)
Weight	1.37 kg (3.03 lb)
Composition	Aluminum
Total Safe Working Load (SWL)	17.5 kg (38.59 lb)
Operating Temperature	- 35° C to 45° C (- 31° F to 113° F)
Tested and Approved Cleaning Solutions	<ul style="list-style-type: none"> - Oxivir, 5% Hydrogen Peroxide with Peracetic Acid (AHP) - Lavo 12, 10 000 ppm Sodium Hypochlorite - TNT-100, 5% Quaternary Ammonium Compound - Spectro-Sept, 5% Ethyl Alcohol - Spectrol, 5% EDTA salt
Options	N/A

4. Orientation Illustrations



The content in this section is intended for personnel who have a competent, proficient or advanced level of competency. Refer to the « User Competency » section on page 5 if needed.

NOTE : The orientations referenced herein are from the EMS and clinical personnel's standpoint, when facing the Extended Surface Base.

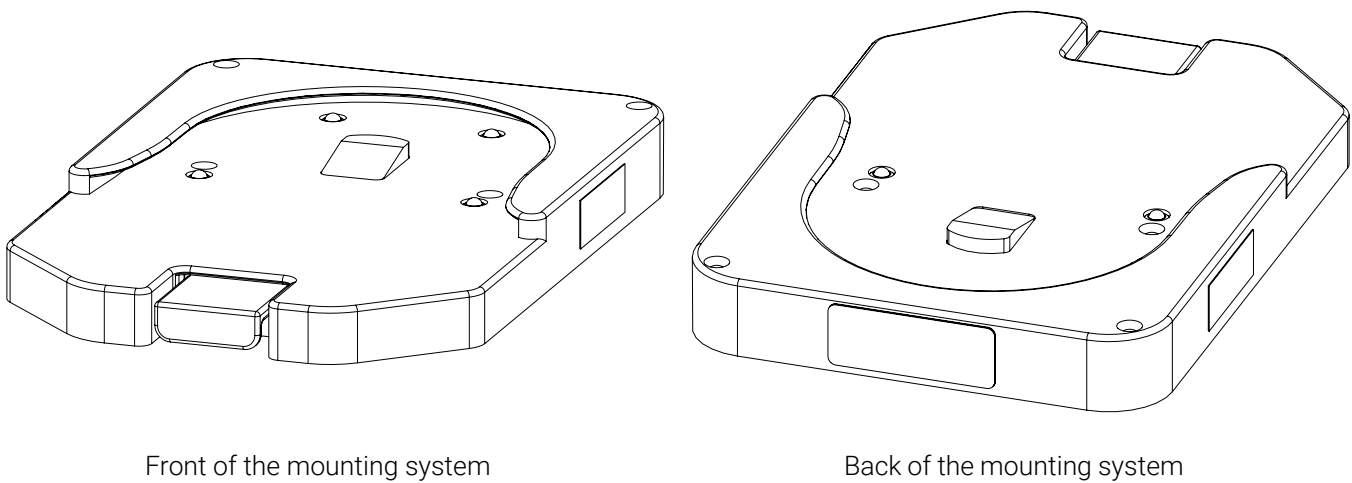
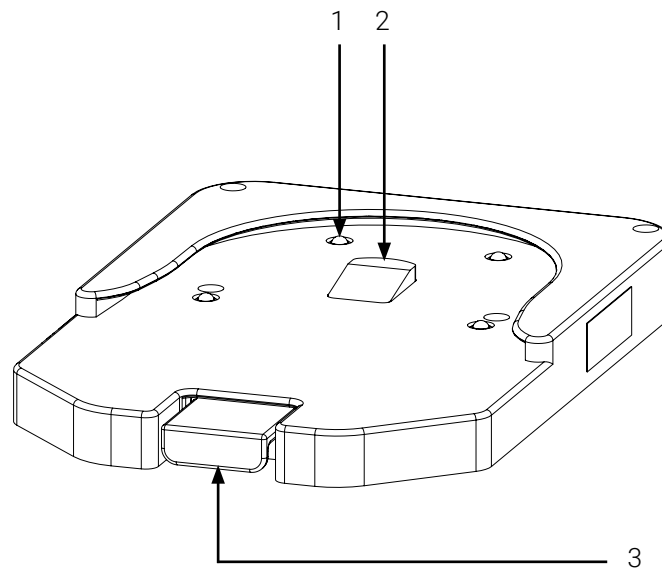


Figure 2: Extended Surface Base orientation illustration

5. Illustrated Parts



The content in this section is intended for personnel who have a competent, proficient or advanced level of competency. Refer to the « User Competency » section on page 5 if needed.



1. Plungers (4X)

2. Locking mechanism

3. Quick release button

Figure 3: Extended Surface Base components

6. Illustrated Dimensions



The content in this section is intended for personnel who have a competent, proficient or advanced level of competency. Refer to the « User Competency » section on page 5 if needed.

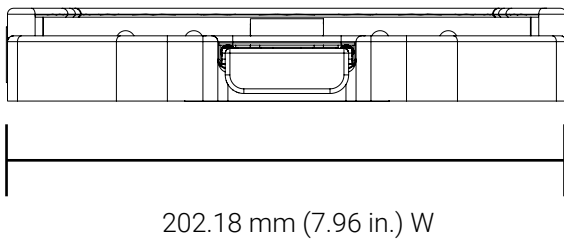
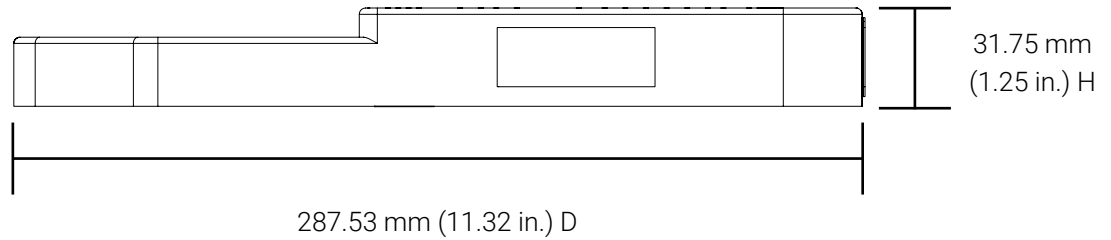


Figure 4: Extended Surface Base dimensions

7. Safety Mechanism



The content in this section is intended for personnel who have a competent, proficient or advanced level of competency. Refer to the « User Competency » section on page 5 if needed.

The safety mechanism is composed of a locking mechanism and a quick release button. The safety mechanism activates when the standard bottom disc of the mounting bracket is inserted in the Extended Surface Base. When the disc is pushed towards the back of the base, it slides on the integrated plungers until the locking mechanism inserts the cavity of the disc. When the click sound is heard, the base is locked and mounting bracket is secured. The locking mechanism deactivated when the quick release button is pressed. Refer to the « Illustrated Parts » section on page 16 if needed.

- **To lock** the Extended Surface Base, align and insert the standard bottom disc of the mounting bracket in the Extended Surface Base until you hear the click sound (Figure 5 A).
- **To unlock** the Extended Surface Base, press and hold the quick release button located at the front of the base, then pull on the mounting bracket until the standard bottom disc is out of the base (Figure 5 B). Release the quick release button.

NOTE : Refer to the « Technical Specifications » section on page 14 for the compatible mounting brackets and to the « Safety Measures » section on page 11 if needed.

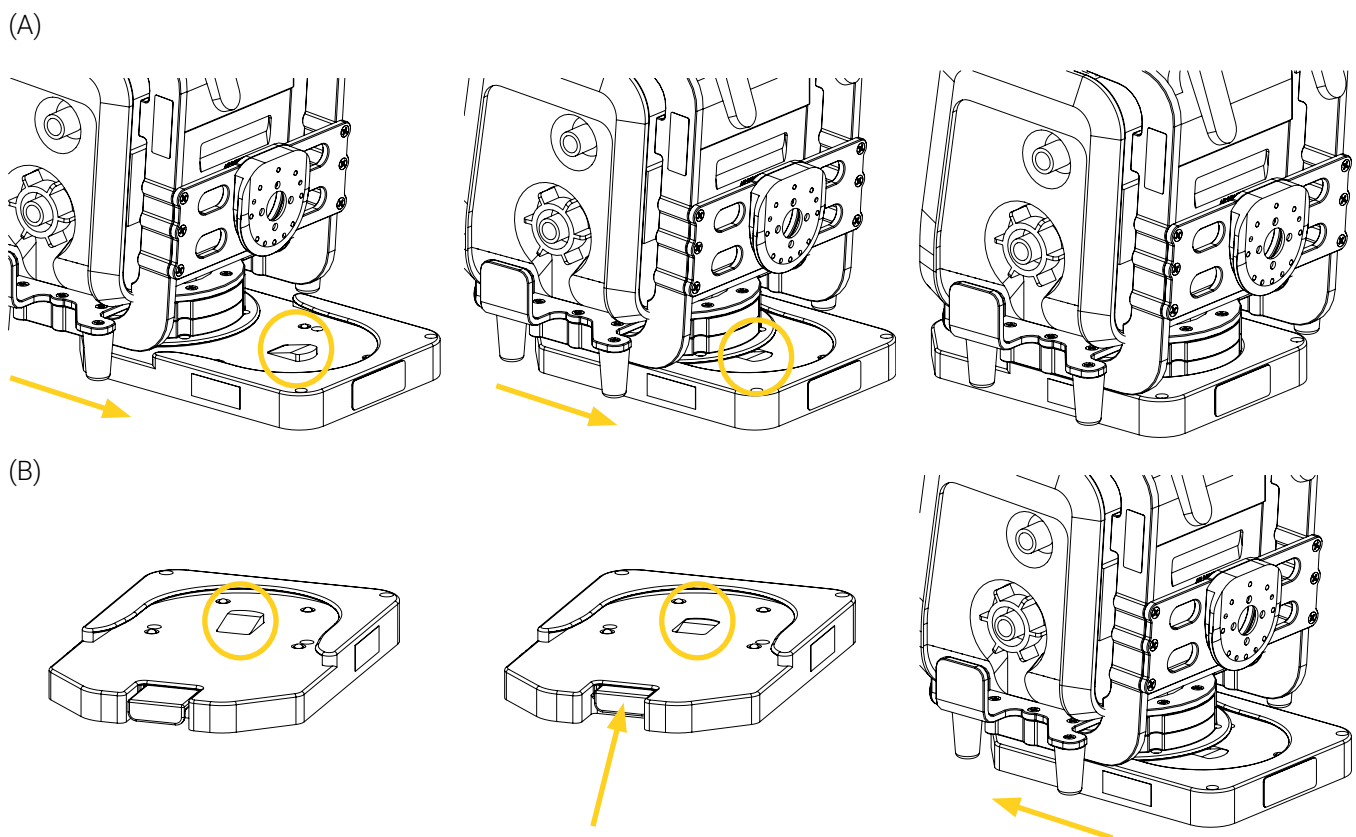


Figure 5: Locking/unlocking the Extended Surface Base

8. Operate the Extended Surface Base



The content in this section is intended for personnel who have a competent, proficient or advanced level of competency. Refer to the « User Competency » section on page 5 if needed.

NOTE : The illustration herein are for user-comprehension purposes and may differ from your actual configuration. The instructions apply to any compatible mounting bracket. Refer to their user documentation for the safety guidelines and safe use, if needed.

8.1. Install the Mounting Bracket in the Extended Surface Base

1. Align and insert the mounting bracket in the Extended Surface Base until it locks (Figure 6). Refer to the « Safety Mechanism » section on page 18 if needed.

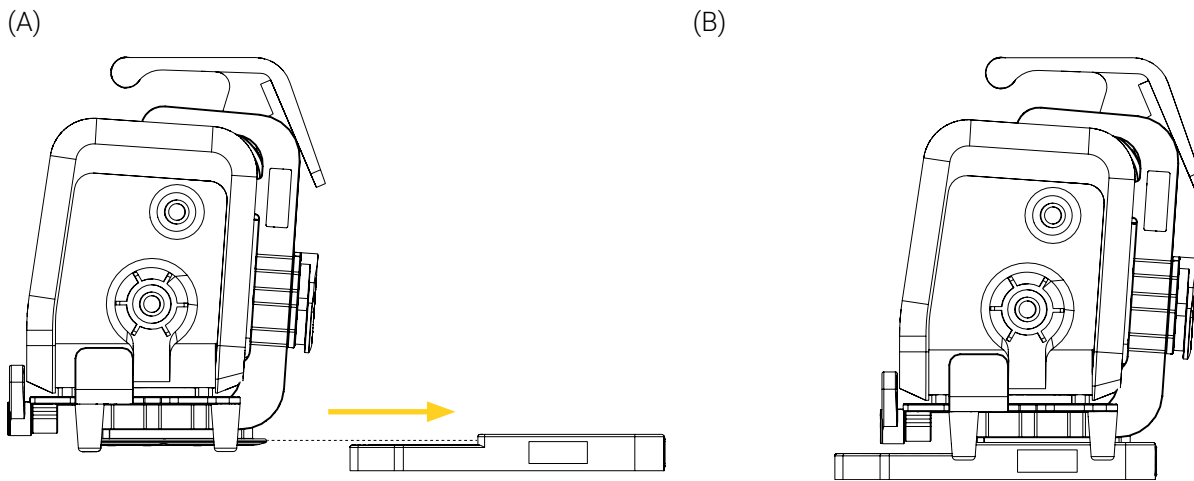


Figure 6: Installing the mounting bracket in the Extended Surface Base

2. Move the mounting bracket back and forth and from side to side a few times to ensure it is correctly locked and secured in the base. If the mounting bracket stays in the base after the verification, it is correctly locked and secured.

3. Turn the bracket up to 360° clockwise or counterclockwise to the desired position (Figure 7). Refer to the mounting bracket's user documentation if needed.

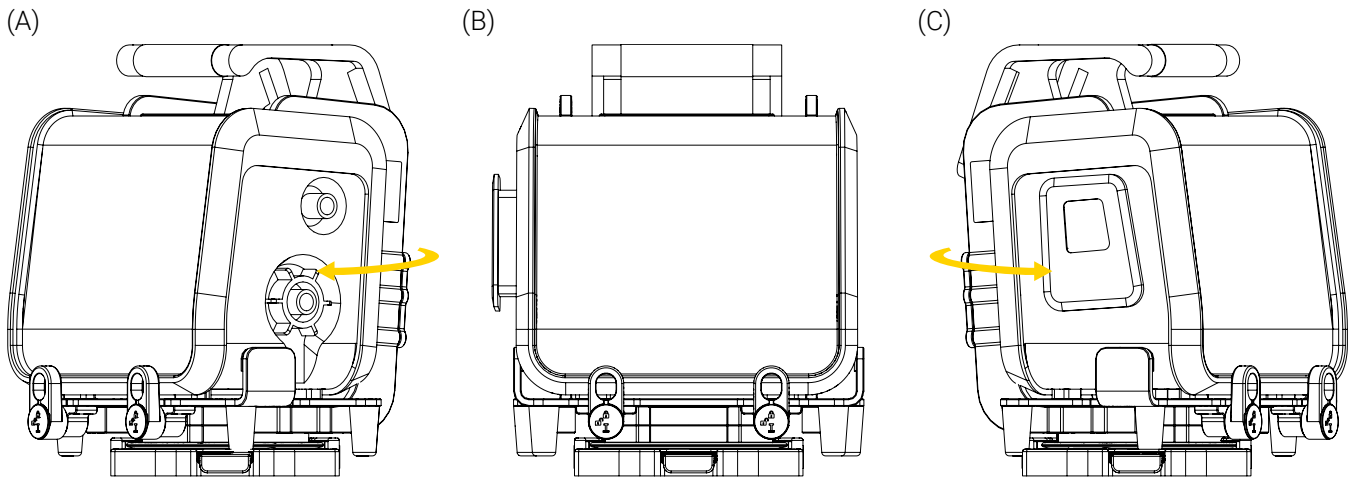


Figure 7: Rotating the mounting bracket on the Extended Surface Base

The installation of the mounting bracket in the Extended Surface Base is complete.

8.2. Remove the Mounting Bracket from the Extended Surface Base

1. Remove the mounting bracket from the Extended Surface Base using the quick release button located at the front of the base (Figure 8). Refer to the « Safety Mechanism » section on page 18 if needed.

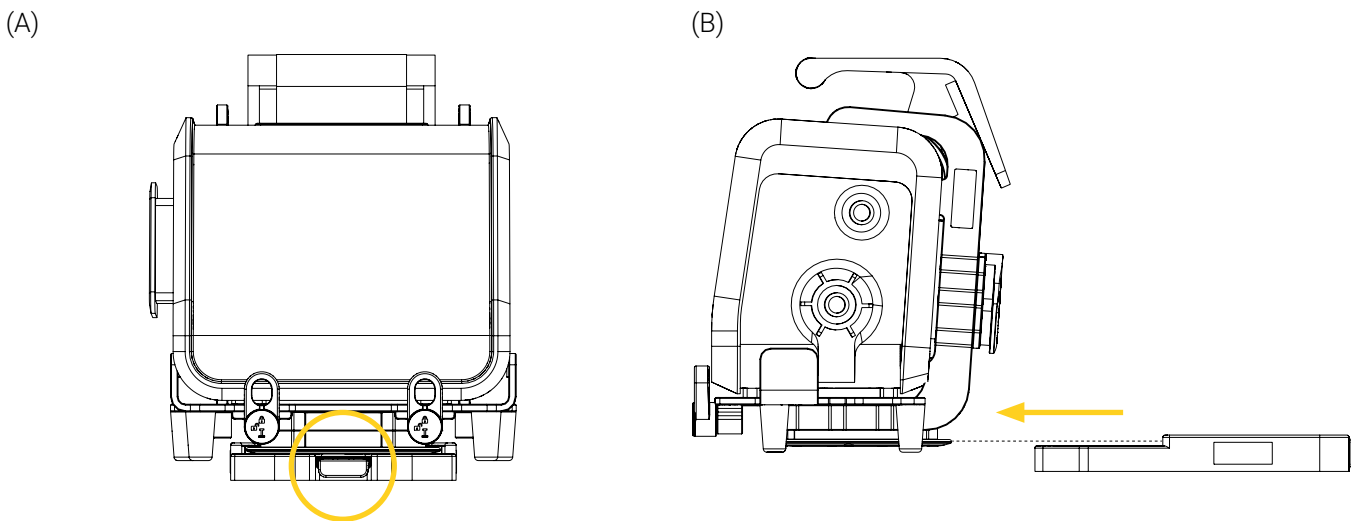


Figure 8: Removing the mounting bracket from the Extended Surface Base

2. Set the mounting bracket aside on a clean surface, or place it in its dedicated storage space. Refer to your established internal protocols if needed.

The removal of the mounting bracket from the Extended Surface Base is complete.

Annex I Skills Assessment of the EMS and Clinical Personnel



The content in this section is intended for personnel who have an proficient level of competency. Refer to the « User Competency » section on page 5 if needed.

Following training, a skills assessment should be given to each member of the EMS and clinical personnel to ensure they have fully comprehended the labelling, warnings and cautions, potential risks, safe practices and proper operating procedures needed to safely and effectively use the Extended Surface Base. Consider adding the following to your internal training protocols.

Trainee name: _____	Unit: _____
Assessor name: _____	Date: _____

SKILLS ASSESSMENT		
SKILL CRITERIA	PASSED	FAILED
Labelling		
- Able to identify meaning and potential risks associated with the different safety labels:		
- Manufacturing label	<input type="checkbox"/>	<input type="checkbox"/>
- Safe Working Load (SWL)	<input type="checkbox"/>	<input type="checkbox"/>
Safety Measures		
- Knows that under no circumstances should the Extended Surface Base be installed on, connected to, or used in combination with any third party/competitor mounting system, base, mounting bracket, or similar equipment.	<input type="checkbox"/>	<input type="checkbox"/>
- Knows that the Extended Surface Base was engineered exclusively for use with approved Technimount components and systems and that using any unauthorized and/or incompatible system may cause the equipment to fall, operate unpredictably, or fail.	<input type="checkbox"/>	<input type="checkbox"/>
- Knows that the Extended Surface Base should only be used for ground emergency medical services and critical care transport.	<input type="checkbox"/>	<input type="checkbox"/>
- Knows not to use the Extended Surface Base if there are any loose or missing screws.	<input type="checkbox"/>	<input type="checkbox"/>
- Knows to immediately stop using the Extended Surface Base if any serious incident occurs and to inform authorized personnel.	<input type="checkbox"/>	<input type="checkbox"/>
- Knows to always ensure that the mounting bracket is properly secured in the Extended Surface Base before it is used.	<input type="checkbox"/>	<input type="checkbox"/>
- Knows to always pay close attention not to wedge the power cords or tubing during the installation/removal of the mounting bracket in/from the Extended Surface Base.	<input type="checkbox"/>	<input type="checkbox"/>

SKILLS ASSESSMENT

SKILL CRITERIA	PASSED	FAILED
- Knows to always pay close attention to the safety mechanism of the Extended Surface Base.	<input type="checkbox"/>	<input type="checkbox"/>
- Knows to always practice safely operating the Extended Surface Base until the manipulations have been perfected, before use with patients and that improper use of the mounting system may cause damage or the equipment to fall or operate unpredictably.	<input type="checkbox"/>	<input type="checkbox"/>
- Knows not to overload or exceed the total Safe Working Load (SWL) of the Extended Surface Base.	<input type="checkbox"/>	<input type="checkbox"/>
- Knows that the Safe Working Load (SWL) of the Extended Surface Base does not override the maximum load capacity of another Technimount product or system, neither those of the medical devices, accessories and/or medical equipment accessories that could be placed in bags and drawers for example.	<input type="checkbox"/>	<input type="checkbox"/>
- Knows to always refer to their established internal protocols, as well as read and abide by the safety guidelines and instructions provided in the Extended Surface Base, the mounting bracket, the medical device and/or the accessory.	<input type="checkbox"/>	<input type="checkbox"/>
Operation		
- Able to install/remove the mounting bracket in/from the Extended Surface Base.	<input type="checkbox"/>	<input type="checkbox"/>
- Able to rotate the mounting bracket on the Extended Surface Base. Refer to the mounting bracket's user documentation if needed.	<input type="checkbox"/>	<input type="checkbox"/>

Annex II Unpack the Extended Surface Base



The content in this section is intended for personnel who have an advanced level of competency. Refer to the « User Competency » section on page 5 if needed.

1. Inspect the shipping box(es) for signs of damage before accepting shipment. Take pictures and report them promptly if applicable.
2. Move the shipping box(es) to the location of the installation.
3. Open the shipping box(es).
4. Unpack the box(es) and ensure that all shipping and packaging materials have been properly removed, prior to installation.

NOTE : Keep all packaging material for future use.

5. Identify the items included in the shipping box(es), then set them aside. Refer to the « Install the Extended Surface Base on a Horizontal Surface » section on page 24 for the required parts.
6. Inspect the items for signs of damage. Take pictures and report them promptly if applicable.

Annex III Install the Extended Surface Base on a Horizontal Surface



The content in this section is intended for personnel who have an advanced level of competency. Refer to the « User Competency » section on page 5 if needed.



WARNING – Risk of Injury

Always wear/use the appropriate Personal Protection Equipment (PPE) based on your established internal protocols (e.g., gloves, eyewear, etc.) during the installation.



WARNING – Incompatible Installations

Refer to the Proper Installation warning in the « Safety Measures » section on page 11 for the precisions before performing the installation.

NOTE : The illustration herein are for user-comprehension purposes and may differ from your actual configuration. The procedure applies to all the compatible surfaces. Refer to the « Technical Specifications » section on page 14 for the compatibilities.

Estimated Installation Time


10 minutes

Included Parts

- Extended Surface Base – 110-20-UN
- Drilling template. Refer to the « Print to Scale Drilling template » section on page 34 if needed.

TIP! Although using a drilling template is not mandatory, it facilitates the installation.

Customer-provided Tools/Hardware

- Marker or punch
- 13/64 in. D drill bit
- Drill
- Vacuum cleaner or compressed air
- Phillips-head screwdriver
- 10-32 in. stainless steel screws (4X). The length of the screws will depend on the depth of the installation surface
- 0.040 in. ID X 1 in. OD X 0.203 in. Thk. washer (4X)
- 10-32 in. D nuts (4X)
- High strength thread lock adhesive ()

Installation Procedure

1. Assess the area of installation to ensure that the chosen installation surface meets the safety and installation requirements. Refer to the « Safety Measures » section on page 11 if needed.
2. Ensure the area of installation allows for a clearance around the Extended Surface Base that is large enough to rotate the medical device up to 360° clockwise or counterclockwise (Figure 9). The clearance needed will depend on the size of the medical device and it's mounting bracket, where it is positioned and it's surroundings.

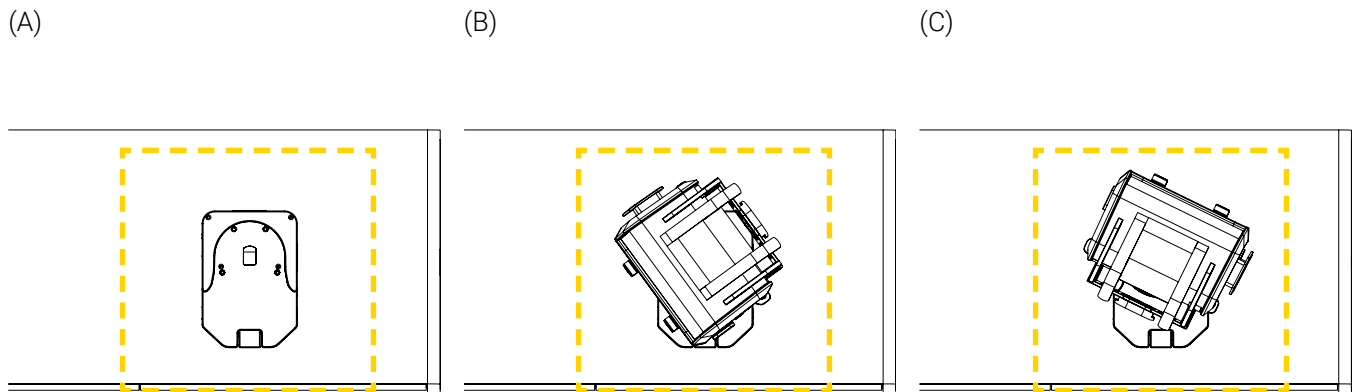


Figure 9: Perimeter clearance

3. Ensure you have access under the installation surface.
4. Place the drilling template on the horizontal surface, then mark the drilling screw holes on the surface using a marker or punch.
5. Remove the drilling template and drill four (4) holes perpendicularly, using a drill and 13/64 in. D drill bit.
6. Pick up the debris and dust the surface using a vacuum cleaner or compressed air.
7. Visually inspect each hole to ensure they are the required depth and debris/dust-free.

8. Place the Extended Surface Base on the installation surface and align the drilling holes (Figure 10 A).
9. Insert four (4) 10-32 in. stainless steel screws coated with high strength thread lock adhesive (🔴) from above the surface, then tighten the screws in a cross-pattern from under the surface using four (4) 0.040 in. ID X 1 in. OD X 0.203 in. Thk. washers, four (4) 10-32 in. D nuts and a Phillips-head screwdriver (Figure 10 B).

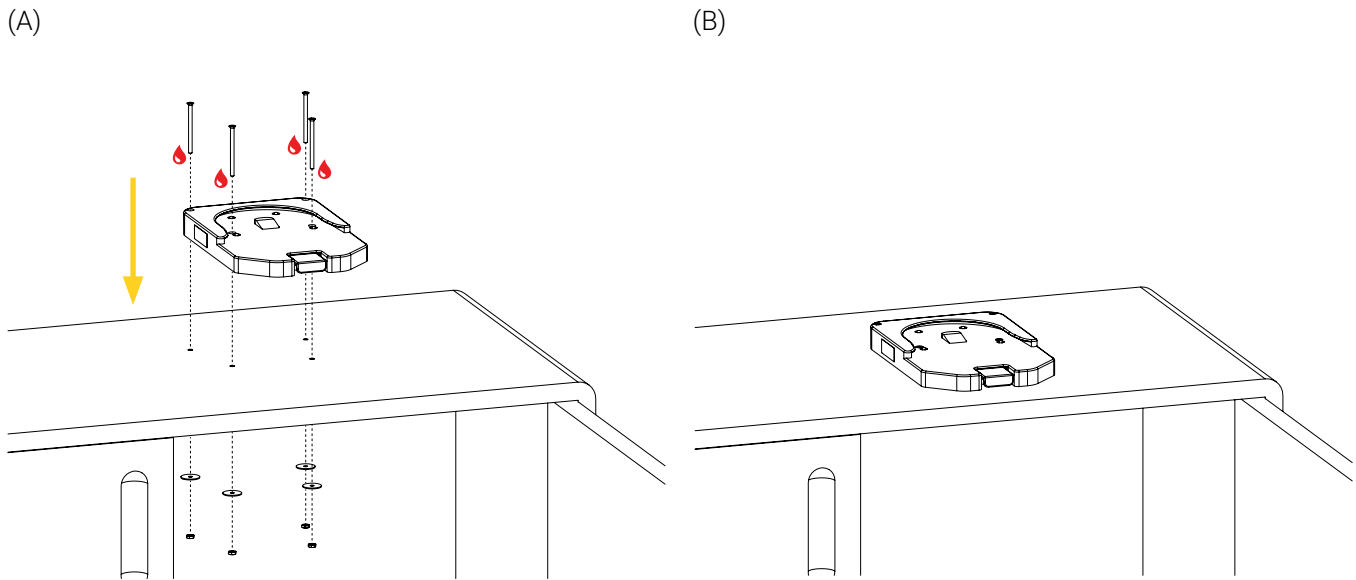


Figure 10: Installation of the Extended Surface Base on a counter top

10. Move the base back and forth and from side to side a few times to ensure it is properly secured on the installation surface. If the base does not move after the verification, it is properly secured.

The installation of the Extended Surface Base on a horizontal surface is complete.

Annex IV Maintenance



The content in this section is intended for personnel who have an advanced level of competency. Refer to the « User Competency » section on page 5 if needed.

Factors such as weather, environment, geographical location and individual usage will necessitate different needs. For the maintenance of the Extended Surface Base, follow the guidelines listed herein and in accordance with your service's current maintenance practices and established internal protocols. Please contact Technical Support at techsupport@technimount.com for replacement parts or repair related issues, if needed.



WARNING – General Warning

- **Do not perform** the safety checks or the condition-based maintenance before having read the entire « Safety Measures » section on page 11 and the maintenance specific safety measures in this section, having read the entire content of this user manual, having gained in-depth knowledge and product comprehension, as well as having familiarized yourself with the standards and guidelines.
- Safety checks and a condition-based maintenance plan are required and should be established for all Technimount products.
- Perform the safety checks and maintenance operations as described herein. Failing to follow the recommended maintenance plan or its guidelines could cause premature damage to the product.
- Use only Technimount parts, maintenance procedures, cleaning solutions and lubricants (if applicable), as described herein. Using unapproved modified parts or procedures for the maintenance of the Technimount product may cause the system to be unstable and could cause injury to the patients or EMS and clinical personnel and void the product warranty.



CAUTION – Safe Handling and Operation

- **Do not use** unauthorized, untested or unapproved cleaning products and disinfectants to perform condition-based maintenance, to avoid damaging the surface of your Technimount product and void the warranty. Technimount will not be held liable for damages resulting from the use of an unauthorized, untested or unapproved cleaning product.
- **Do not use** powered tools to screw the hardware during installation, as there is a risk of damage to the threads.
- **Do not steam clean or use ultrasonic cleaners** on the system or any of its components.
- **Do not immerse** the metal parts/components in water.
- To spot clean, the maximum water temperature should not exceed 82° C (180° F). The maximum water pressure should not exceed 1500 psi/103.5 BAR. If using a high pressure washer, the pressure nozzle must be kept a minimum of 609.6 mm (24 in.) from the product.
- When cleaning, always use the appropriate Personal Protection Equipment (PPE) based on your established internal protocols (e.g., gloves, eyewear, etc.).



CAUTION – Corrosion

- Always rinse and dry the Extended Surface Base components properly after using cleaning products. Certain types of cleaners may leave a corrosive residue on the surface of the product and could cause the premature corrosion of critical components. Refer to the product Safety Data Sheets (SDS) for chemical information or handling, storage and emergency measures in case of accident.
- Dispose of corrosive wastes according to the environmental laws that apply to your jurisdiction and consult the Safety Data Sheets (SDS).

**CAUTION – Follow Instructions for Use**

Always read and abide by all the safety guidelines identified, as well as follow all of the instructions provided by the manufacturer of the cleaning product.

Maintenance Frequency

- Safety checks and the condition-based maintenance should be performed minimally every month or as frequently needed, to prolong the longevity of the Extended Surface Base in optimal conditions.
- Decontaminate the Extended Surface Base as recommended in your established internal protocols, as well as the regulations and standards in virtue of the infection prevention and control procedures.

Customer-provided Tools

- Clean and dry cloth
- Soft brush
- Pressure washer
- Cleaning solutions
- Phillips screwdriver
- High strength thread lock adhesive (🔥)
- Silicone based lubricant

Tested and Approved Cleaning Solutions

- Oxivir, 5% Hydrogen Peroxide with Peracetic Acid (AHP)
- Lavo 12, 10 000 ppm Sodium Hypochlorite
- TNT-100, 5% Quaternary Ammonium Compound
- Spectro-Sept, 5% Ethyl Alcohol
- Spectrol, 5% EDTA salt

Maintenance Plan

1. Check the boxes upon completion of the « Safety Checks » section on page 29 and the « Condition-Based Maintenance » section on page 30, then add your comments and/or observations in the « Maintenance Log » section on page 31 if needed. In case of a non-conformity, immediately stop using the Extended Surface Base and contact Technical Support at techsupport@technimount.com for a remedial action plan.
2. Keep records of your maintenance activities.

SAFETY CHECKS

CHECKED

Extended Surface Base (Figure 11)

- Visually inspect all the components of the Extended Surface Base to ensure that the hardware is in good condition and there are no loose screws.
 - *If the hardware is not in good condition, replace it. Contact Technical Support if needed.*
 - *If the screws are loose, tighten them. Refer to the « Install the Extended Surface Base on a Horizontal Surface » section on page 24.*
- Visually inspect all the components of the Extended Surface Base to ensure there is no chemical attack.
 - *If there are traces of chemical attack, clean the mounting system. Refer to the « Condition-Based Maintenance » section on page 30 if needed.*
- Press and release the locking mechanism a few times to ensure proper functioning of the safety mechanism of the Extended Surface Base.
 - *If the locking mechanism does not easily insert or a resistance is felt when it is pressed, there is a non-conformity.*
 - *If the locking mechanism does not retract easily or to a minimum of 3/16 in. (H) when it is release, there is a non-conformity.*
- Press and release the quick installation button a few times to ensure proper functioning of the safety mechanism of the Extended Surface Base.
 - *If the button does not easily insert or a resistance is felt when it is pressed, there is a non-conformity.*
 - *If the button does not retract easily when it is release, there is a non-conformity.*
- Press and release each plunger a few times to ensure their proper functioning.
 - *If the plungers do not easily insert or remain stuck in the base when they are pressed, clean the mounting system and lubricate the plungers. Refer to the « Condition-Based Maintenance » section on page 30 if needed.*
- Install and remove the mounting bracket in the Extended Surface Base a few times to ensure proper functioning of the safety mechanism of the Extended Surface Base.
 - *If the standard bottom disc of the mounting bracket does not easily insert in the base and does not lock, and/or cannot be easily removed when using the quick release button of the base, there is a non-conformity.*

SAFETY CHECKS
CHECKED

- Install the mounting bracket in the Extended Surface Base and move it from side to side and back and forth a few times to ensure it is secured in the base and does not move.
 - *If the mounting bracket moves after correctly having been installed in the base, there is a non-conformity.*
- Look at the manufacturing label to ensure that specifications are still visible and that the Extended Surface Base has not passed its expected service life. Refer to the « Labels » section on page 10 and the « Technical Specifications » section on page 14 if needed.
 - *If the estimated period of safe and reliable use has passed, there is a non-conformity.*

CONDITION-BASED MAINTENANCE
CHECKED

Clean the Extended Surface Base, after you have completed the safety checks:

1. Remove the excess dirt using a clean cloth, if needed.
2. Remove the contaminants using a pressure washer or as recommended in your established internal protocols and control procedures.
3. Clean using a cloth and cleaning solution.
4. Spot clean stains by applying the solution directly on the stain and let sit on the surface, if needed.

NOTE : Avoid over saturation and ensure that the product **does not sit** on the surface of the Extended Surface Base components longer than recommended by the cleaner's manufacturer.
5. Thoroughly rinse the solution with a clean cloth dampened with lukewarm water, then dry all the components using a clean cloth.
6. If, during the safety checks, it was detected that a plunger is in need of lubrication:
 - Apply a small amount of silicone based lubricant on the plunger.
 - Gently rotate the plunger in its cavity using your finger to ensure it is fully coated.
 - Wipe any excess lubricant using a cloth.
 - Repeat until all the plungers have been cleaned and lubricated.

The Extended Surface Base is clean and can be returned to service.

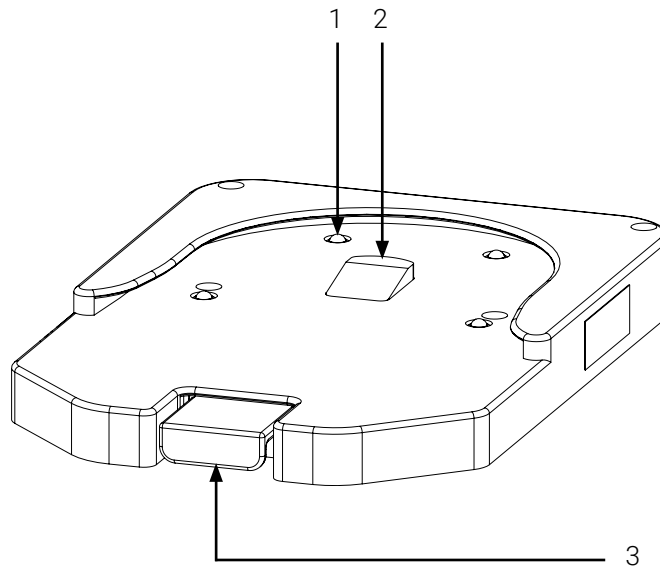
MAINTENANCE LOG

Add your comments and/or observations, after you have completed the safety checks and Condition-Based Maintenance, if needed:

Maintenance plan completed on (dd/mm/yyyy):

Maintenance plan completed by:

Illustrated Inspection Points



1. Plungers (4X)

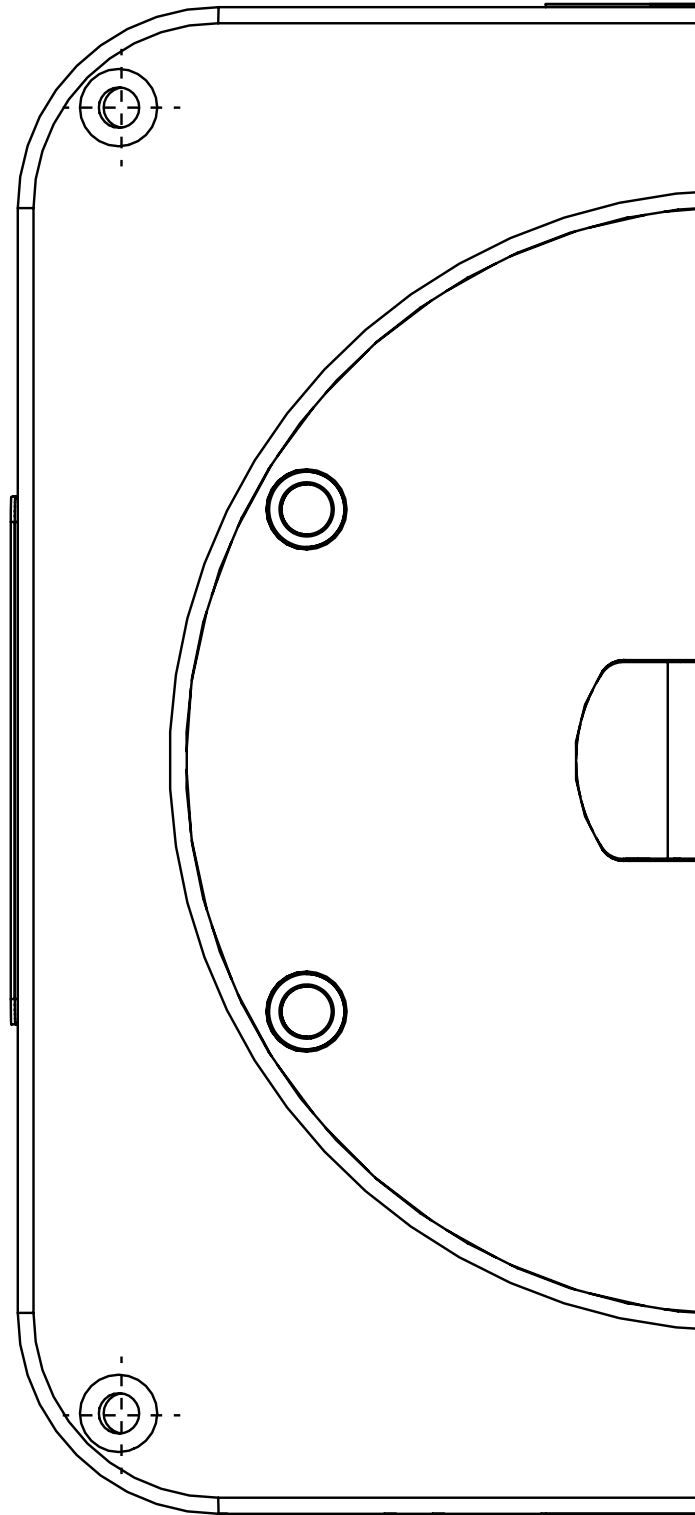
2. Locking mechanism

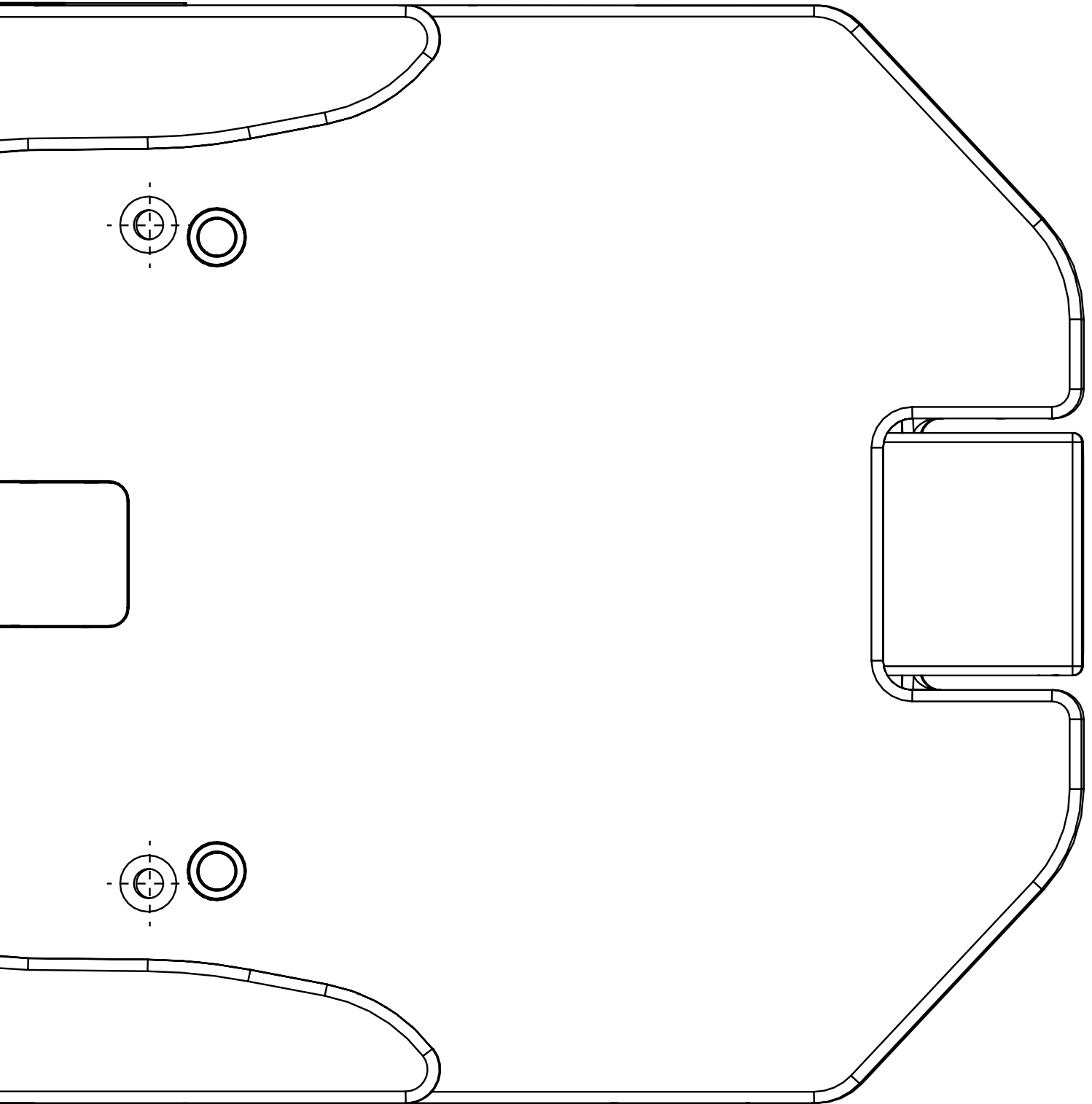
3. Quick release button

Figure 11: Illustrated inspection points

Annex V Print to Scale Drilling template

Print the pages of the drilling template on two (2) 8.5 X 11 in. pages and place them side by side, slightly overlapped, on the installation surface. Refer to the « Technical Specifications » section on page 14 for the exact dimensions if needed.







TECHNIMOUNT
EMS[®]

SAFETY AND FLEXIBILITY
WHERE IT MATTERS MOST