

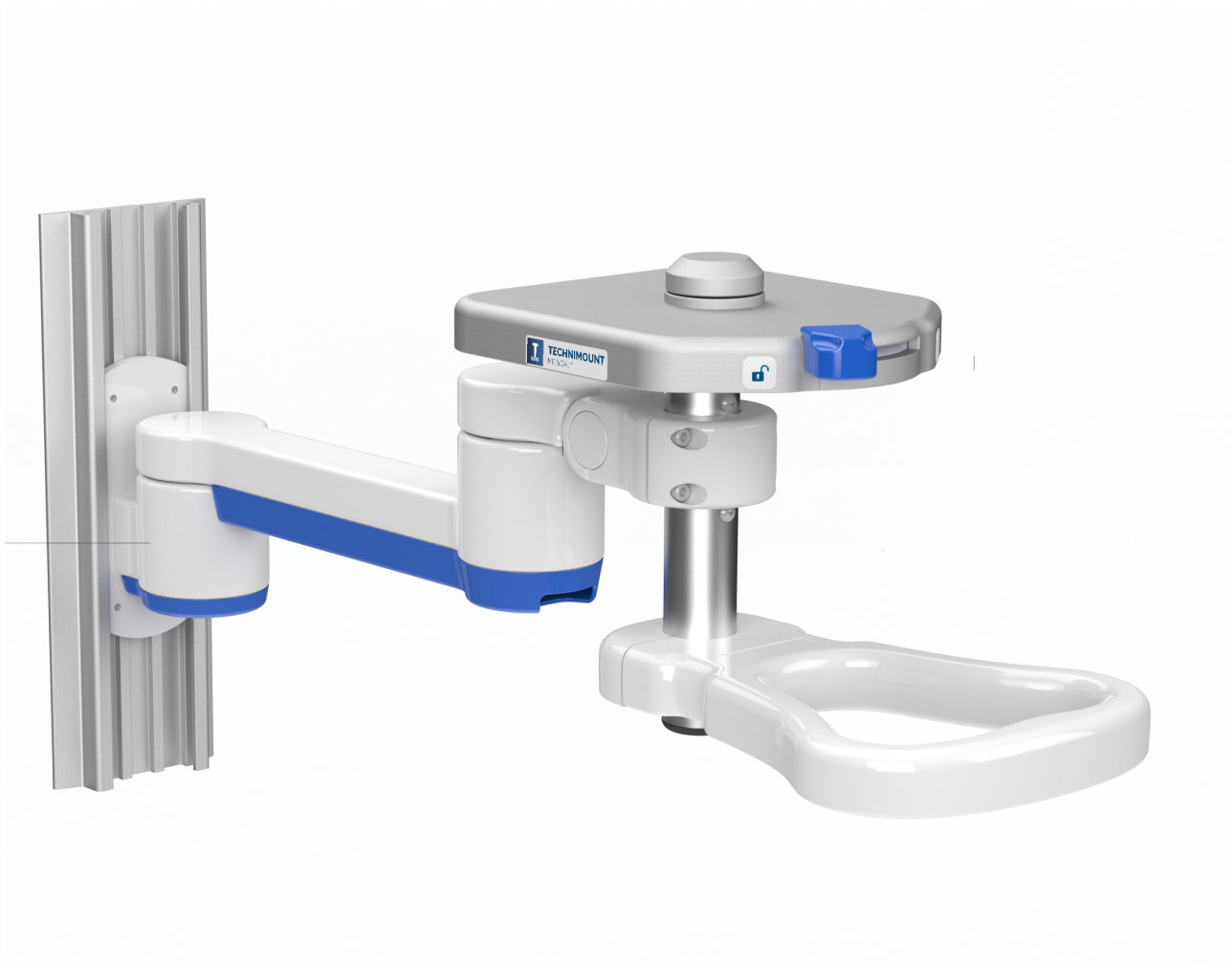


**TECHNIMOUNT**  
MEDICAL®

## THS™ MEDICAL PIVOT ARM

MOUNTING ARM TO SUPPORT MEDICAL DEVICES AND  
VARIOUS ACCESSORIES

---

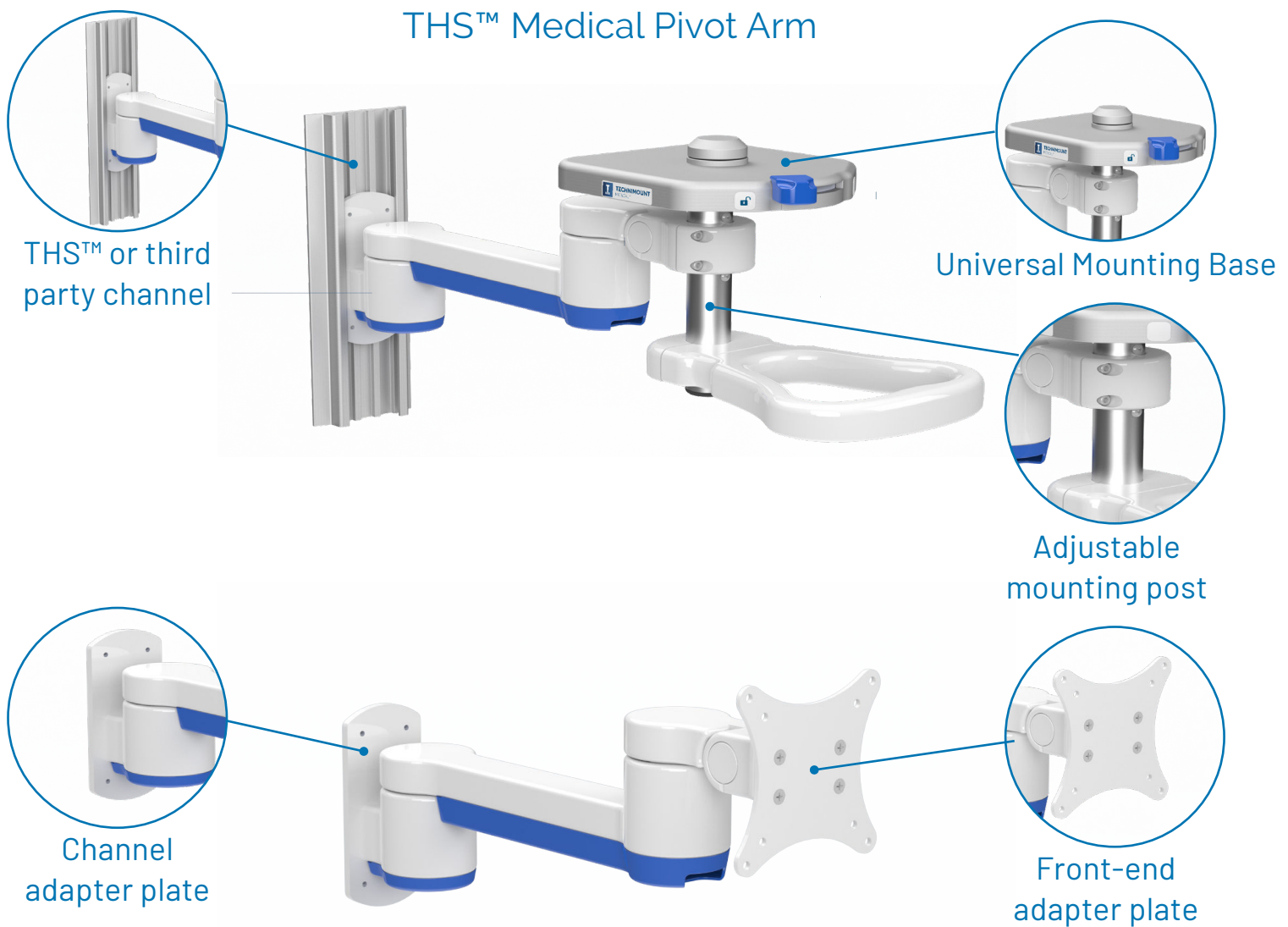


**MAKING HEALTHCARE PRACTICES  
MORE EFFICIENT**

# THS™ MEDICAL PIVOT ARM

## Product Components

The THS™ Medical Pivot Arm provides optimal device positioning and usability in medical and clinical settings. Compatible with the Universal Mounting Base, it allows for quick and secure installation, removal, and interchangeability of medical devices. For added versatility, a front-end adapter plate can be installed to accommodate a monitor or other accessories, therefore catering to the specific needs of medical teams.



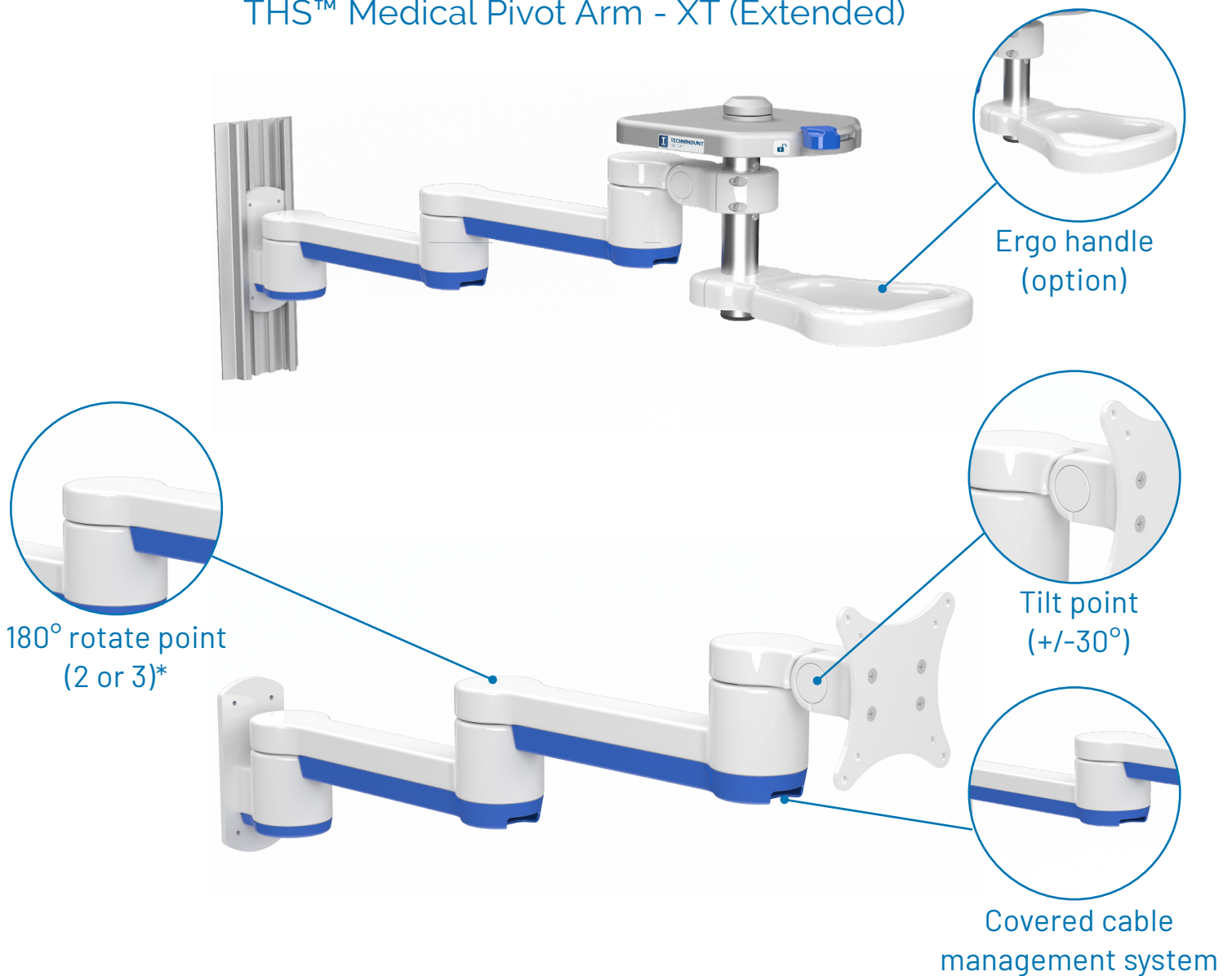
# THS™ MEDICAL PIVOT ARM

## Product Components

The THS™ Medical Pivot Arm - XT is the extended version of the medical pivot arm, offering enhanced reach and extended coverage with three rotate points rather than two.

Both the standard and the XT versions of the arm can be customized with accessories such as a the Ergo handle or a Techni-Clamp. These components improve operational efficiency to meet dynamic needs of healthcare environments.

### THS™ Medical Pivot Arm - XT (Extended)



\* The THS™ Medical Pivot Arm has 2 rotate points, whereas the THS™ Medical Pivot Arm - XT, has 3 rotate points.

# THS™ MEDICAL PIVOT ARM

## Highlights

## FEATURES & BENEFITS

- Designed for Technimount's THS™ channel or any third party channel to ensure maximum flexibility for users.
- Compatible with Technimount's Universal Mounting Base, ensuring quick and effortless installation, removal and interchangeability of medical devices.
- Various front-end adapter plates available to accommodate a monitor or other accessories, according to specific needs.
- Both versions of the THS Medical Pivot Arm are equipped with rotate points to ensure smooth 180° gliding.
- Covered cable management system to minimize interference with other cables, and accessories while maintaining cleanliness.
- The front-end of the structure has a tilt capacity of 30°, keeping screen or medical device visible.
- Highly resistant to biological fluids and a wide range of disinfectant solutions.
- Medical grade finish that allows for easy wiping and cleaning.



## Diverse Applications

The THS Medical Pivot Arm offers exceptional versatility by supporting multiple mounting configurations.

It can be mounted onto walls for stationary use or onto carts, such as Technimount's THS™ Neonatal Cart, providing increased flexibility and mobility. This adaptability ensures seamless device positioning and optimized workflows during neonatal care.

# THS™ MEDICAL PIVOT ARM

## Available Options

### Universal Mounting Base



Allows seamless installation and removal of medical devices

### Ergo Handle



Various accessories available

### VESA Plate



Different front-end adapter plates and sizes available

### Techni-Clamp™



Secures an I.V. pole onto the front-end of the pivot arm

Taking into consideration the technical specifications of both models, a broad range of accessories can be added to facilitate device adjustments and improve workflow efficiency. By addressing the demands of medical and clinical environments, these accessories ensure that medical teams can operate with precision, flexibility and confidence, even in the most fast-paced settings.

# THS™ MEDICAL PIVOT ARM

## Product Overview

|                                   |   |
|-----------------------------------|---|
| <b>Product Name</b>               | THS™ Medical Pivot Arm / THS™ Medical Pivot Arm - XT  |
| <b>Description</b>                | Mounting arm to support medical devices and various accessories   |
| <b>Operating Environment</b>      | Hospital/Clinical (medical)   |
| <b>Compliance</b>                 | IEC 60601 (applicable mechanical sections)  |
| <b>Expected Service Life</b>      | 8 years   |
| <b>Compatible Mounting System</b> | -THS™ channel<br>-Third party channels  |
| <b>Dimensions (L x P x H)</b>     | <u>THS™ Medical Pivot Arm</u><br>Collapsed position: 13.8 in. X 9.0 in. X 8.3 in. (35.1cm X 22.9cm X 20.3cm)<br>Extended position: 4.6 in. X 19.1 in. X 8.3 in. (10.2cm X 48.3cm X 20.3cm)<br>*Does not include accessories.<br><br><u>THS™ Medical Pivot Arm - XT</u><br>Collapsed position: 13.8 in. X 9.0 in. X 10.7 in. (35.1cm X 22.9cm X 25.4cm)<br>Extended position: 4.6 in. X 29.2 in. X 10.7 in. (10.2cm X 73.7cm X 25.4cm)<br>*Does not include accessories. |
| <b>Weight</b>                     | <u>THS™ Medical Pivot Arm</u><br>7.3 lb (3.2 kg)<br>*Pivot arm without accessories<br><br><u>THS™ Medical Pivot Arm - XT</u><br>10.4 lb (4.7 kg)<br>*Pivot arm without accessories  |

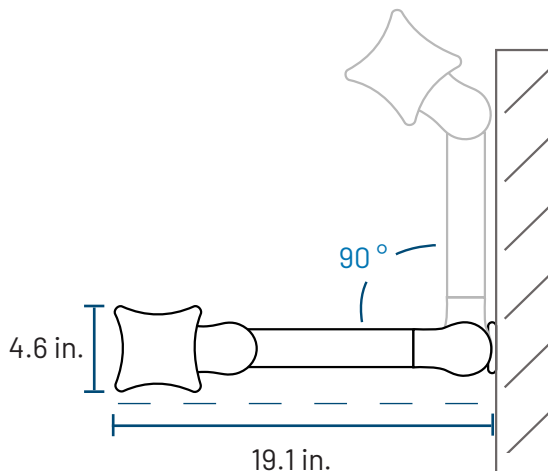
# THS™ MEDICAL PIVOT ARM

## Product Overview

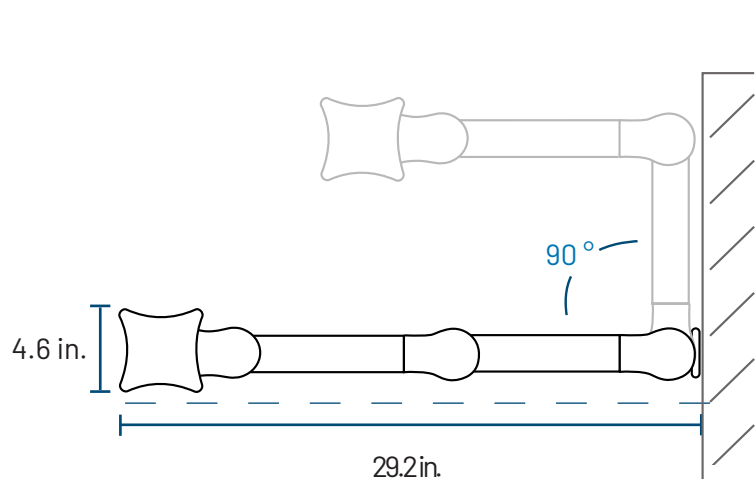
|                                |  |
|--------------------------------|--|
| <b>Composition</b>             | -Main Assembly: Aluminium,plastic, stainless steel, rubber<br>-Mounting Post: Aluminium<br>-Channel adapter plate:Aluminium  |
| <b>Finish</b>                  | Medical grade paint allowing efficient wiping and cleaning   |
| <b>Safe Working Load (SWL)</b> | <u>THS™ Medical Pivot Arm</u><br>60 lb (27.2 kg)<br><br><u>THS™ Medical Pivot Arm - XT</u><br>30 lb (13.6 kg)                |
| <b>Operating Temperature</b>   | - 31° F to 113° F (- 35° C to 45° C)   |
| <b>Options</b>                 | - Universal Mounting Base<br>-Ergo handle<br>-Front-end adapter plate<br>-VESA plate (75 x 75 mm) or other<br>-Techni-Clamp™ |
| <b>Warranty</b>                | 5 years  |
| <b>Contact</b>                 | Customer Service at <a href="mailto:customerservice@technimount.com">customerservice@technimount.com</a>                     |

## TOP VIEW

THS™ Medical Pivot Arm



THS™ Medical Pivot Arm - XT





**TECHNIMOUNT**  
MEDICAL®

At Technimount Medical Inc., we understand that healthcare professionals need equipment that makes their everyday practice easier. We design and develop quality solutions that are flexible and easy to use, allowing them to focus on what matters most - patient care.

Technimount Medical follows the same path as Technimount System, continuously innovating to make healthcare practices more efficient and safer. Since its inception in 2013, Technimount System has been recognized as the leader in the Emergency Medical Services' industry, setting the standard in safe and flexible mounting systems for medical devices.

With the same mindset, Technimount Medical, an ISO 13485 certified company, creates distinctive products that respond to the ever-evolving healthcare practices. Our Technimount Healthcare Systems™ (THS™) and Healthcare Essentials product lines enable caregivers to move efficiently and safely all the medical devices needed to successfully treat their patients, wherever they are inside the hospital or remotely via telemedicine systems.

### Technimount Medical Inc.

Corporate Headquarters  
3770 Jean Marchand Street, Suite 100-B  
Quebec (QC) G2C 1Y6  
Canada  
T +1581.700.6583  
TF +1888.521.0871  
info@technimount.com  
technimount.com

