



**TECHNIMOUNT**  
EMS™

UNIVERSAL

MOUNTING SYSTEM

FOR THE **IMPELLA**®<sup>1</sup>



## **CARDIATEK™**

A UNIVERSAL MOUNTING SYSTEM DESIGNED FOR THE  
AUTOMATED IMPELLA CONTROLLER (AIC) FROM ABIOMED

### **HAVING AT HEART TO SUPPORT YOU IN LIFE-THREATENING SITUATIONS**

The Cardiatek system is the only universal solution to mount the AIC in different applications such as, on surface, floor and wall systems. It is also designed to fit any ground and air ambulance configuration in North American and European markets.



Hospital



Ambulance



Military



Air

At Technimount EMS, we understand that EMS and Critical Care Transport teams need solutions that they can rely on. We design and develop quality mounting systems which are safe and flexible, allowing you to concentrate on what matters most - patient care.

# CARDIATEK™ COMPLETE SYSTEM

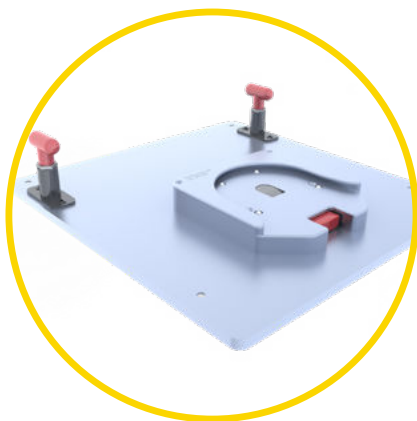
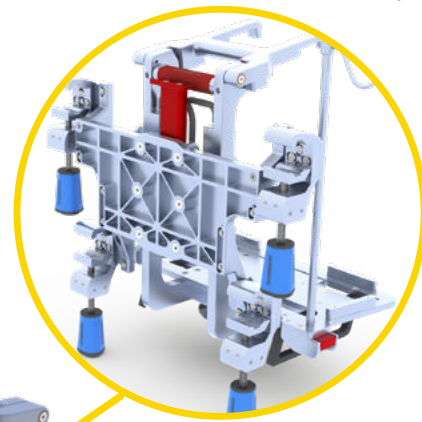
A System to secure the AIC medical device during transport to avoid possible injuries to patient and crew as well as reduce risks of potential damages to, or replacement of, medical equipment.

## POTENTIAL CONFIGURATIONS

Mounting Bracket



Wall Mount System  
(Ground Ambulance in Europe)



Air Ambulance  
Floor Mount

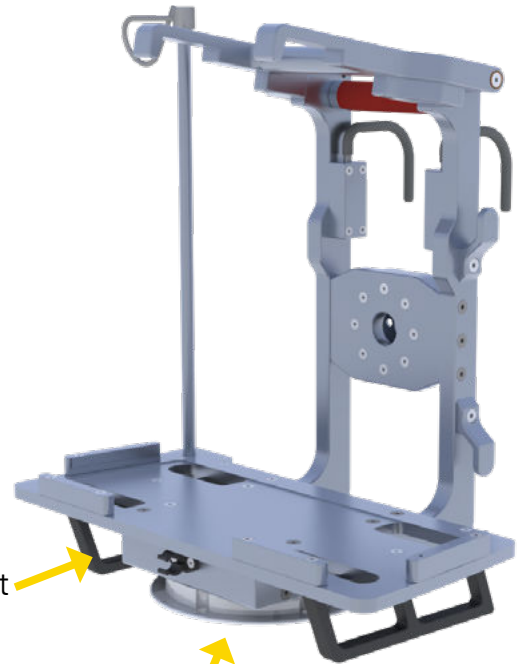


Standard Surface Base

# CARDIATEK™ MOUNTING BRACKET

## OVERVIEW OF FEATURES

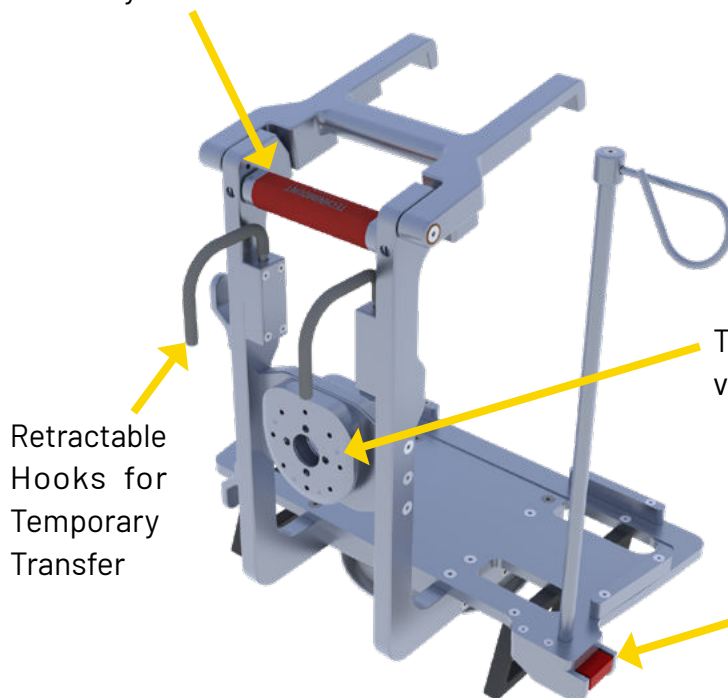
The Cardiatek mounting bracket is designed for the Automated Impella Controller (AIC) device. This Technimount solution is a flexible system that can be used in different applications, such as on surface, floor, and wall systems. With the use of the floor mount, this bracket is compatible with the floor platform of air ambulances in Europe. The wall mount and bracket can be used for ground ambulances in Europe and North America.



Acetal Feet to Protect the Disc and Bracket when Placed on the Floor or Ground

The top-down movable handle is designed for easy access to the unit.

The standard bottom disc is used with Technimount's universal standard bases that can be mounted in different locations according to configuration and desired position.



Retractable Hooks for Temporary Transfer

The small anti-rotation disc on the back is used for vertical support on different wall or arm systems.

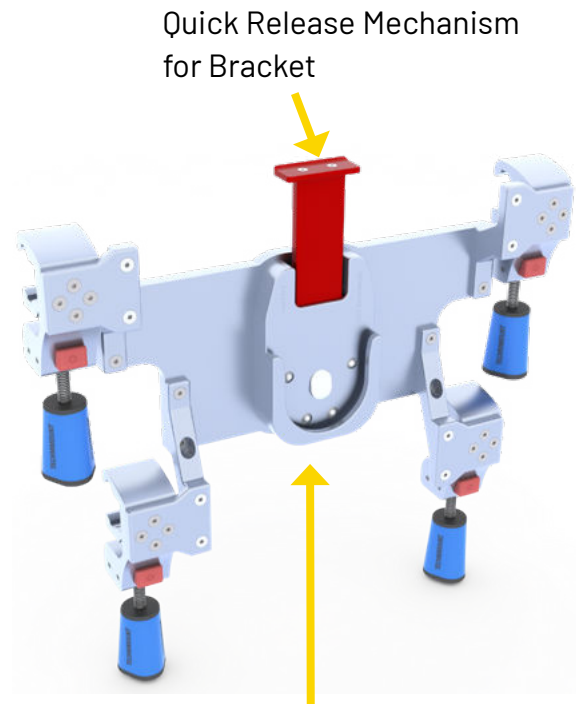
Quick Release Fluid Pole or Canister Holder

# CARDIATEK™ WALL MOUNT

## OVERVIEW OF FEATURES

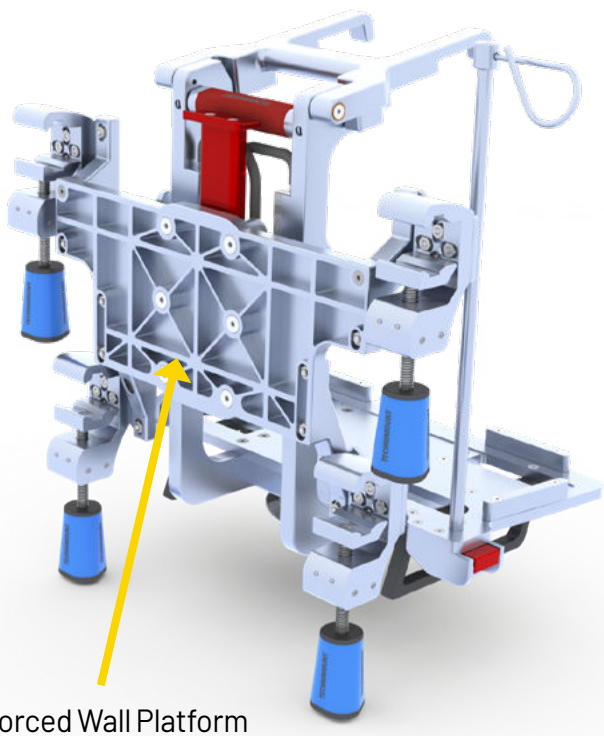
The Cardiatek Wall Mount is designed for the Automated Impella Controller (AIC) mounting bracket. It is comprised of a high-density aluminum frame that includes a micro base to accommodate the small anti-rotation disc on the back of the mounting bracket. Four quick release clamps are used to secure the wall mount on ground ambulance wall rails in Europe.

The Cardiatek Wall Mount is compatible with all of Technimount's products.



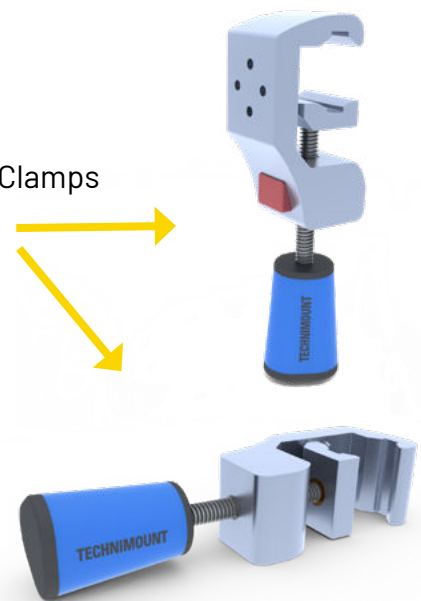
Quick Release Mechanism for Bracket

Vertical Micro Base with Long Release Button for Easy Access



Reinforced Wall Platform with Lightweight Design

Quick Release Clamps QR-Gripp™

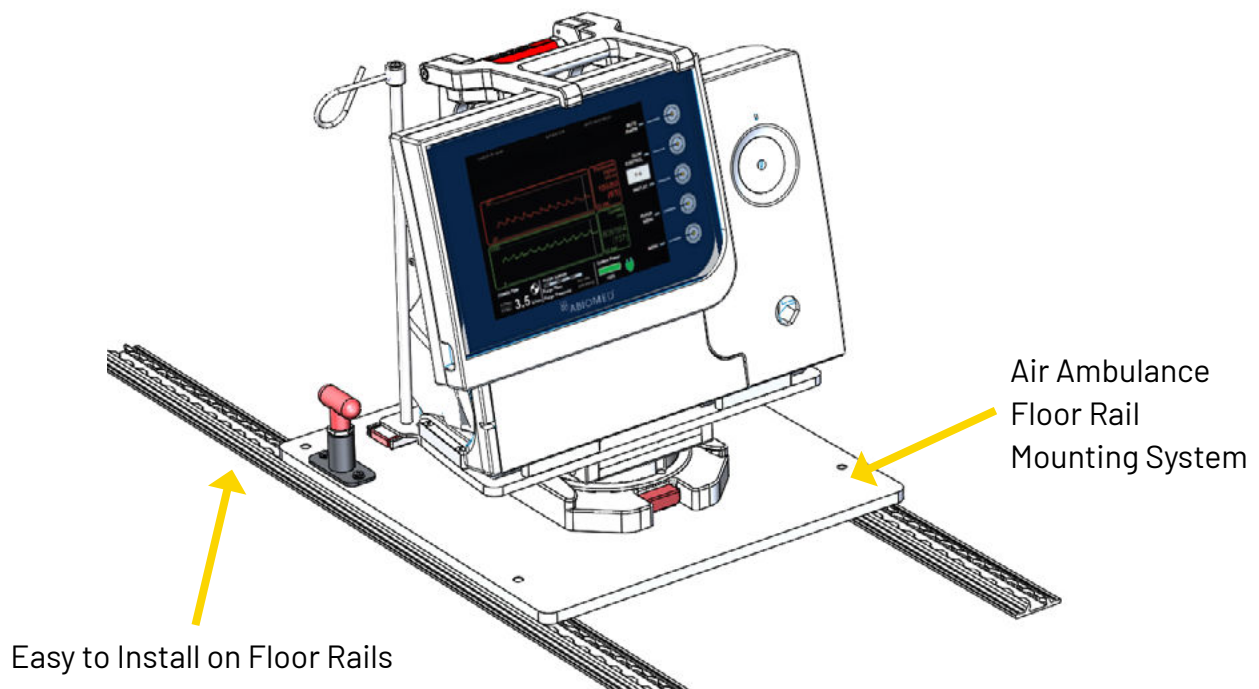
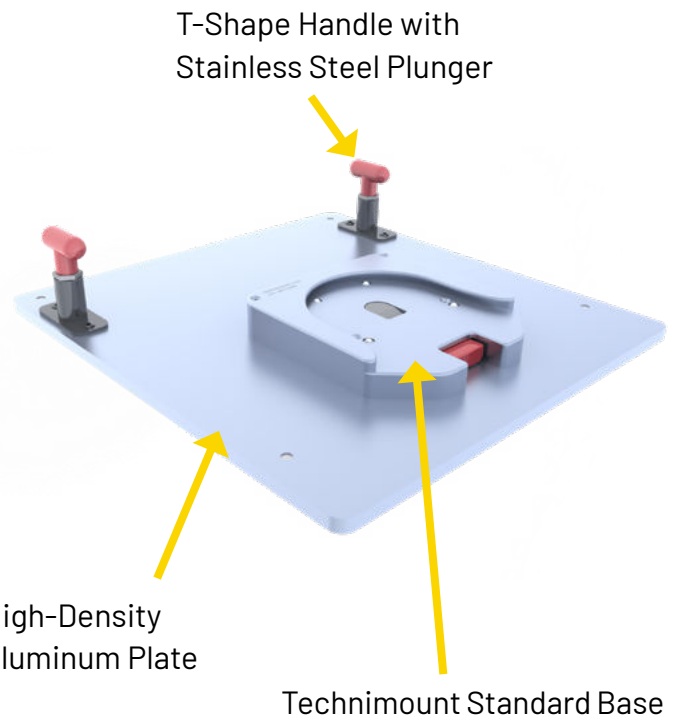


# CARDIATEK™ FLOOR MOUNT

## OVERVIEW OF FEATURES

The floor mount is designed for floor rails of air ambulances in Europe. The system is comprised of a high-density aluminum plate with T-shape handles with stainless steel plungers for easy installation into the floor rails. The floor mount with a Technimount standard base can accommodate the Cardiatek mounting bracket, as well as a multitude of different medical devices that have a Technimount bracket and bottom disc.

The Cardiatek floor mount is compatible with all of Technimount's products.



# CARDIATEK™ COMPLETE SYSTEM

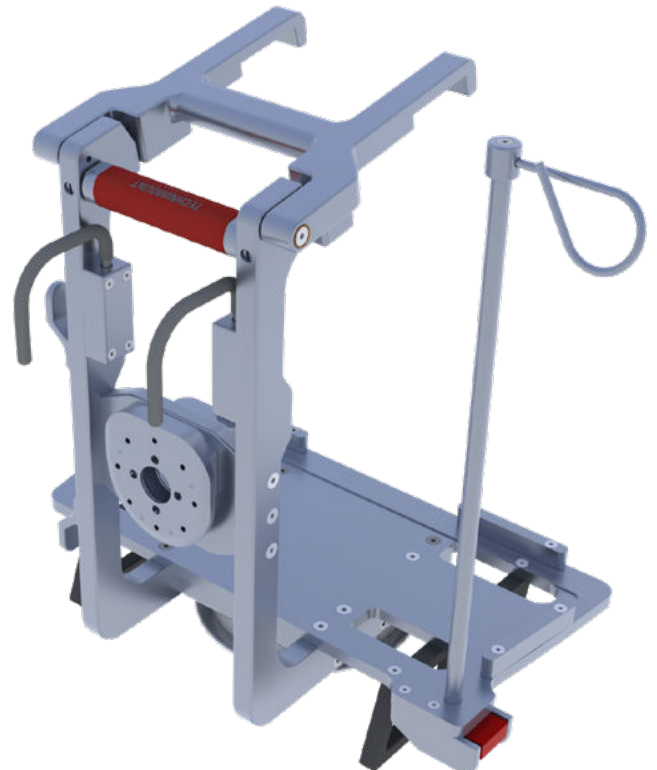


## FEATURES

- ✓ Compatible with Technimount's products
- ✓ Compatible with Technimount's Standard Surface Base for North American ambulance builders
- ✓ Compatible with air ambulance floor and ground ambulance rail mount systems in Europe
- ✓ Includes hooks for power cable, canister holder and quick release removable fluid pole
- ✓ Top-down movable handle for easy access to the unit
- ✓ Tested in compliance with SAE J3043

## BENEFITS

- + Flexibility for use in different applications (surface, floor and wall systems) as well as other EMS or hospital environments
- + Access to screen from all angles (360° rotation)
- + Easy insertion of the AIC into bracket (top insert)
- + Built-in quick release mechanisms to easily remove device almost instantly
- + Reduce risk of damage causing costly repairs or complete replacement of medical equipment
- + Quick installation by end user with no modification needed to medical equipment



# TECHNICAL SPECIFICATIONS

<b>Product Name</b>	Cardiatek™
<b>Product Description</b>	Dual disc bracket mounting system to secure the Automated Impella Controller™ on surfaces, walls and floors in emergency vehicles
<b>Compatibility of Medical Device*</b>	Automated Impella Controller™ (AIC) from Abiomed
<b>Environment of Usage</b>	EMS (Ground & Flight) – Hospital/Clinic, Military
<b>Product Section Material</b>	<ul style="list-style-type: none"><li>• Main Assembly: Aluminum 6061-T6</li><li>• Standard Bottom Disc: Aluminum 6061-T6 with 304 Stainless Steel Insert</li><li>• Anti-Rotation Back Disc: Aluminum 6061-T6</li></ul>
<b>Product Finish</b>	<ul style="list-style-type: none"><li>• Main Assembly: Silver Anodized Finish</li><li>• Standard Bottom Disc: Silver Anodized Finish</li><li>• Anti-Rotation Back Disc: Silver Anodized Finish</li></ul>
<b>Temperature of Usage</b>	-31° F to 113° F (- 35° C to 45° C)
<b>Certification</b>	<p>Tested in Compliance with:</p> <ul style="list-style-type: none"><li>• SAE J3043 (26 G)</li></ul> <p>Designed to Comply with:</p> <ul style="list-style-type: none"><li>• FAA-FAR-DOT 27.561 &amp; DOT 27.562 (Flight)</li><li>• EN 1789 (10 G)</li></ul>
<b>European Standard</b>	CE Mark - in Process
<b>Installation</b>	Device Retained on Platform - Top Down Handle for Locking
<b>Attachment Options</b>	2 Locking Discs – Standard Bottom Disc – Anti-Rotation Micro Disc
<b>Canister – Fluid Bag Holder</b>	Removable Canister and Fluid Pole Holder
<b>Transportation Compatibility System</b>	<p>Compatible with Technimount's:</p> <ul style="list-style-type: none"><li>• Floor Mount (Flight)</li><li>• Wall Mount System</li></ul>
<b>Features</b>	<ul style="list-style-type: none"><li>• Access to all Connectors and Accessories</li><li>• No Attachment Point on the Medical Device</li><li>• Retractable hooks for Temporary Transport</li><li>• Cable Holder</li><li>• Top Handle to Easily Carry Device</li></ul>
<b>Physical Overall Dimensions (L x D x H)</b>	16 in x 10 in x 17.25 in (40.64 cm x 25.4 cm x 43.81 cm)
<b>Weight</b>	12.1 lb (5.44 kg)
<b>Part Number</b>	<ul style="list-style-type: none"><li>• 552-10-AB-BR - Cardiatek Bracket</li><li>• 553-20-AB-WA - Cardiatek Wall Mount</li><li>• 554-20-AB-FL - Cardiatek Floor Mount (Flight)</li><li>• 100-20-UN - Standard Surface Base</li></ul>
<b>Other Models and Configuration Options</b>	Contact Technimount EMS for more information or for other options at <a href="mailto:customerservice@technimount.com">customerservice@technimount.com</a>

Note: Product and medical equipment manufacturers names are Trademarks™ or Registered Trademarks® of their respective holders. Technimount does not have a commercial relationship with these medical equipment manufacturers.

# YOUR SAFETY IS OUR PRIORITY

When it comes to air and ground ambulance transport, patient and crew safety is the main concern. Providing safe transport not only applies to the vehicle or aircraft itself but also to the ability to effectively secure medical equipment.

Having robust and certified mounting systems can help avoid costly repairs, complete replacement of equipment and possible injuries to patients and crew.



## ABOUT TECHNIMOUNT EMS

At Technimount EMS, we understand that EMS and Critical Care Transport teams need solutions that they can rely on. We design and develop quality mounting systems which are safe and flexible, allowing you to concentrate on what matters most - patient care.

**SAFETY AND FLEXIBILITY  
WHERE IT MATTERS MOST**

[technimount.com](https://www.technimount.com)

