



**TECHNIMOUNT**  
EMS®

## **BRACKET PRO SERIE® 152-GR3**

MOUNTING SYSTEM FOR GROUND TRANSPORT OF  
SMITHS MEDICAL® MEDFUSION® 4000 SYRINGE  
INFUSION PUMPS

---



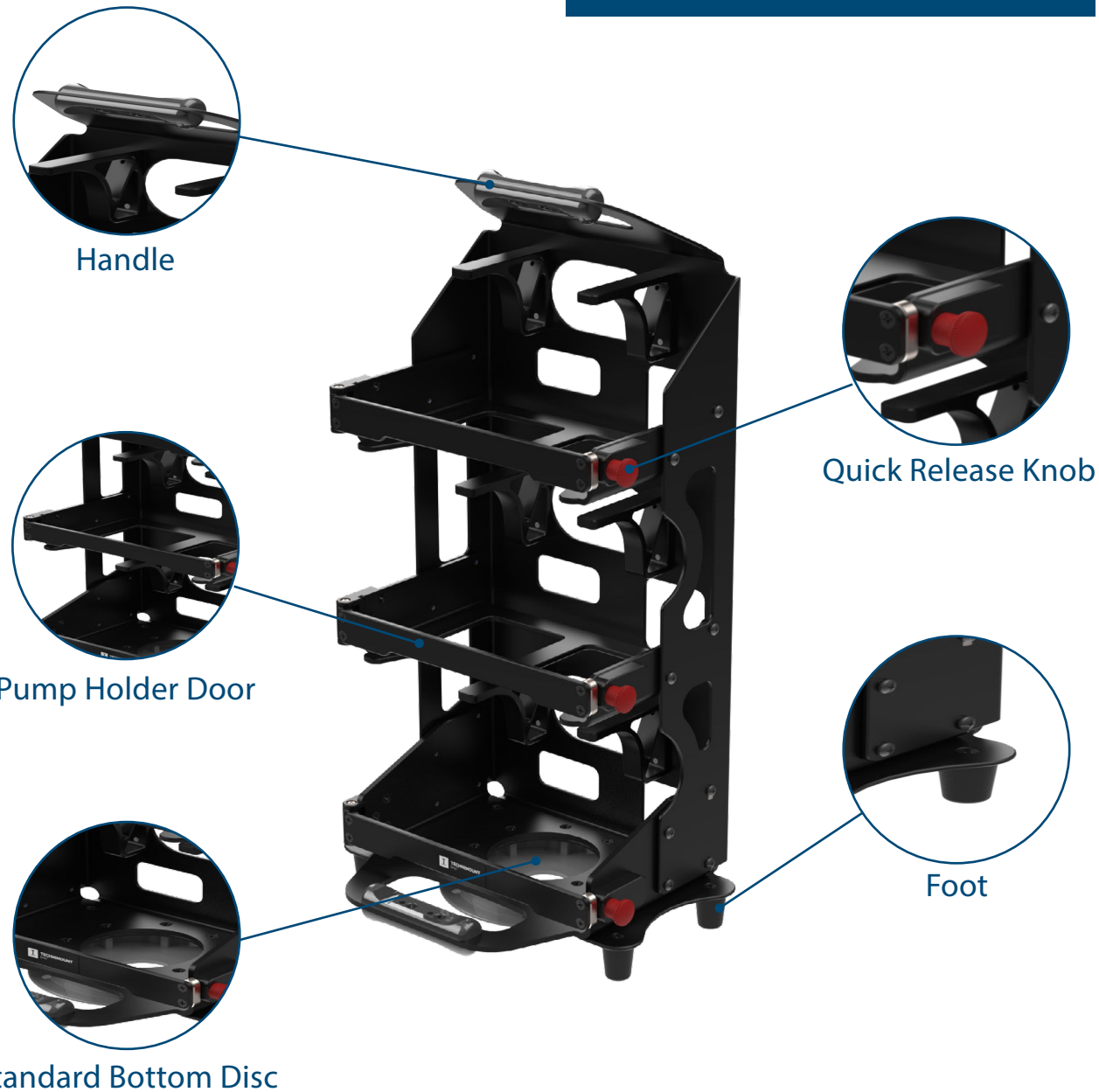
**SAFETY AND FLEXIBILITY**  
**WHERE IT MATTERS MOST**

# BRACKET PRO SERIE® 152-GR3

## Product Components

The Bracket Pro Serie® 152-GR3 is specifically designed for the safe transport of Smiths Medical® Medfusion® 4000 syringe infusion pumps during EMS and Critical Care Transport. The mounting solution is designed to comply with the highest industry safety standards for the transport of medical equipment, SAE J3043.

Featuring three pump holder doors with quick release knobs, this solution allows for easy installation and removal of the medical devices. This user-friendly design increases efficiency and allows a continuum of patient care.



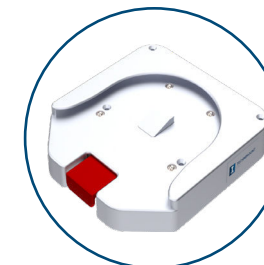
# BRACKET PRO SERIE® 152-GR3

## Highlights

### FEATURES & BENEFITS

- Safely secures three Smiths Medical Medfusion 4000 syringe infusion pumps during EMS or Critical Care transport.
- Bracket designed to comply with the highest industry safety standards for transport of medical equipment, SAE J3043.
- Equipped with a standard bottom disc, compatible with Technimount's Standard Surface Base, offering enhanced flexibility on multiple mounting surfaces.
- Three pump holder doors with quick release knobs to easily install and remove pumps from the bracket.
- Access to medical devices and connectors from all angles (360° rotation).
- High-density aluminium with black-anodized finish, making the bracket resistant to biological fluids and cleaning products.
- Top and bottom handles to ease rotation, installation and removal of the bracket.
- Durable feet to stabilize the mounting system on any flat surface.

## POSSIBLE CONFIGURATIONS



Standard Surface Base



Xtension Pro Neonatal



Xtension Pro Assistant - CCT



Safety Arm System

# BRACKET PRO SERIE® 152-GR3

## Technical Specifications

Product Name	Bracket Pro Serie® 152 - GR3
Description	Bracket designed to secure the Medfusion® 4000 syringe pump(s) during EMS or critical care transport
Product Code	2100-20-SMMF-GR3
Features	<ul style="list-style-type: none"><li>- Bottom disc compatible with multiple mounting surfaces</li><li>- Quick release mechanism on each pump holder</li><li>- Installation for up to three (3) Medfusion® 4000 syringe pumps</li></ul>
Operating Environment	<ul style="list-style-type: none"><li>- EMS/CCT (Ground)</li><li>- Hospital/Clinic</li></ul>
Compliance	Tested to comply with SAE J3043 & AMD-028
Compatible Medical System	<ul style="list-style-type: none"><li>- Standard Surface Base</li><li>- Safety Arm System</li><li>- Wall Mount Pro</li><li>- Xtension Pro Assistant - CCT</li><li>- Xtension Pro Neonatal</li></ul>
Dimensions (L X P X H)	11.7 in. X 9.3 in. X 23.9 in. (29.8 cm X 23.7 cm X 60.7 cm)
Weight	11.1 lb (5.1 kg)
Composition	<ul style="list-style-type: none"><li>- Bracket: aluminum 6061-T6 with black anodized finish and stainless steel</li><li>- Standard bottom disc: aluminum 6061-T6 with silver anodized finish, stainless steel 304</li><li>- Feet, bumpers: acetal</li></ul>
Safe Working Load (SWL)	14.1 lb (6.4 kg)
Operating Temperature	- 31° F to 113° F (- 35° C to 45° C)
Model & Configuration Options	<ul style="list-style-type: none"><li>- 2100-10-SMMF-4: Bracket Pro Serie® 152</li><li>- Contact Customer Service: <a href="mailto:customerservice@technimount.com">customerservice@technimount.com</a></li></ul>



[technimount.com](https://www.technimount.com)