

### Intended Use

This quick installation procedure is intended to assist you with the installation of the clamp block on the Stryker® Power-PRO™ 2 stretcher. It also includes the optional installations of the IV Adapter 2 and IV Pro Adapter 2-SMDT.

Product and medical device manufacturer names are Trademarks™ or Registered Trademarks® of their respective holders. Technimount does not have a commercial relationship with these medical device manufacturers.

Image references within this document may differ from actual product. For more information or to ensure product options and availability, please contact Technical Support at [techsupport@technimount.com](mailto:techsupport@technimount.com).

### Technimount E.M.S. Holding Inc.

C/O: Regulatory Affairs  
3770 Jean Marchand Street, Suite 100-C  
Quebec (QC) G2C 1Y6  
Canada  
[www.technimount.com](http://www.technimount.com)  
T + 1 581.700.6613  
TF + 1 888.639.2758 (North America)

### Unpack the Clamp Block for the Power-PRO™ 2 Stretcher

1. Inspect the shipping box(es) for signs of damages, before accepting shipment. Take pictures and report them promptly if applicable.
2. Move the shipping box(es) to the location of the installation.
3. Open the shipping box(es).
4. Unpack the box(es) and ensure that all shipping and packaging materials have been properly removed, prior to installation.

**NOTE:** Keep all packaging material for future use.

5. Identify all the components and hardware included for the installation, then set aside. Refer to the "Safety Measures" section for details.
6. Inspect the items for signs of damages. Take pictures and report them promptly if applicable.

## Safety Measures

**WARNING - Part Breakage**

**Do not** use powered tools to screw the hardware during installation, as there is a potential risk of damage to the threads.

**WARNING - Risk of Injury**

Regulations and standards for safety are the sole responsibility of the end user. Ensure that the installation specifications meet the local and regional compliance requirements before use. Product incompatibility could cause unpredictable functioning resulting in injury to the patients or EMS personnel.

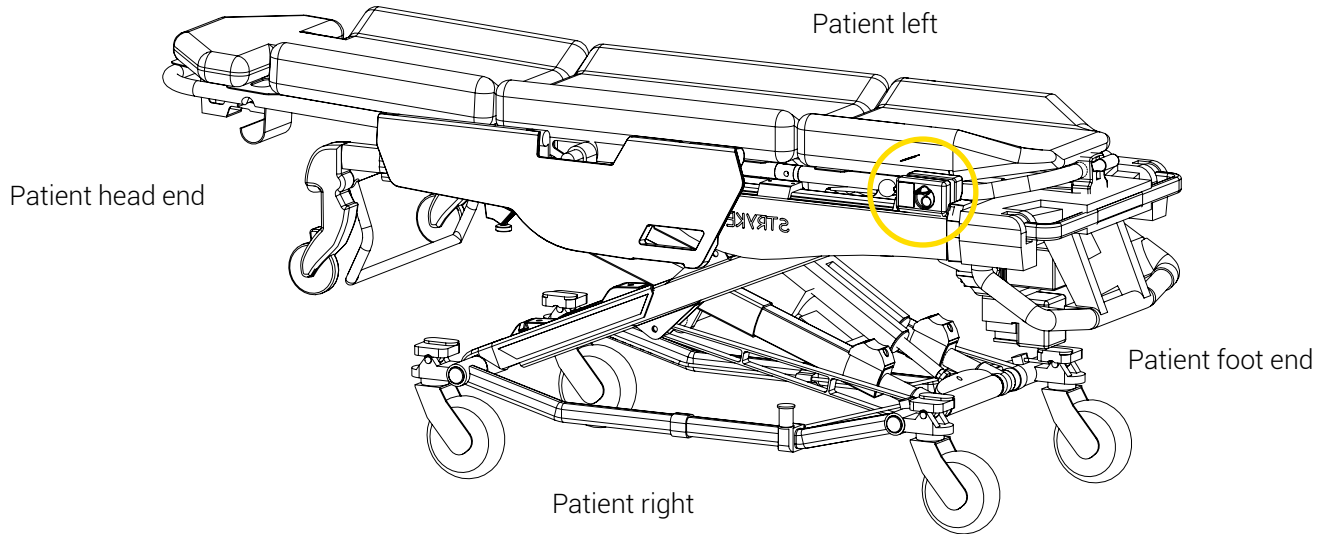
**CAUTION - Safe Handling and Operation**

- **Do not** modify the product, or any of its components and install only as described in this user manual. Modifying the product or improper installation could cause unpredictable functioning, resulting in injury to the patients or EMS personnel.
- The administrator is responsible for providing proper training to any personnel who will install, operate and perform maintenance on Technimount products.
- Improper installation of the Technimount product may damage the device or cause injury to the patients or EMS personnel.
- If any serious incident occurs with the mounting solution, immediately stop using the product, report this incident to Technical Support at [technicalsupport@technimount.com](mailto:technicalsupport@technimount.com) and the applicable regulatory agency.

**CAUTION - Follow Instructions for Use**

- Always read and abide by all the safety guidelines identified, as well as follow instructions provided within this document.
- Refer to the stretcher's user manual for safety precautions and user instructions for the safe use of the Stryker® Power-PRO™ 2 stretcher.
- Refer to the mounting solution's user manual for safety precautions and user instructions for the safe use of the Safety Arm System™ 500.
- Refer to the mounting solution's user manual for safety precautions and user instructions for the safe use of the Safety MD-Transporter®.

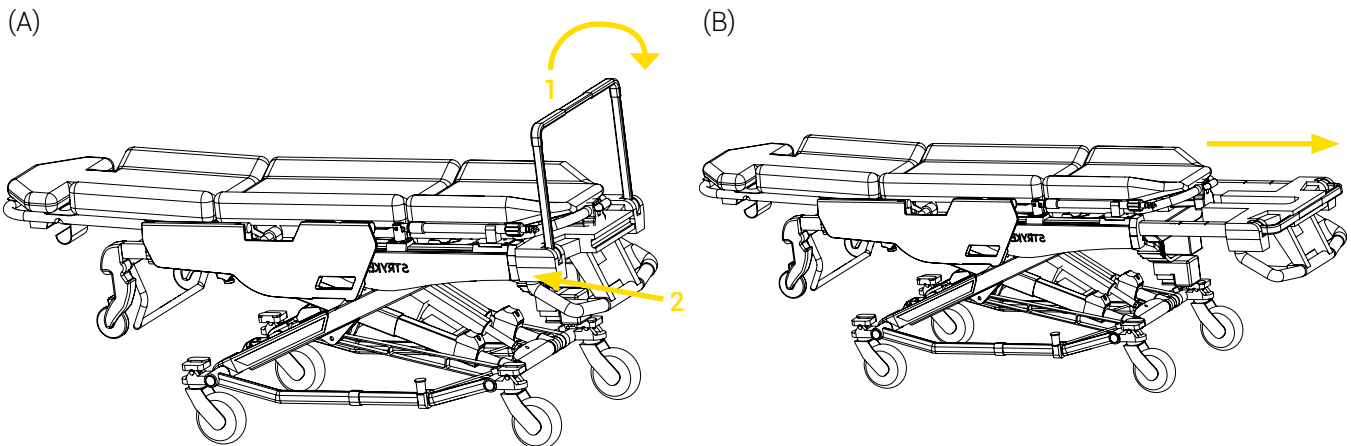
### Stretcher Orientation



**Figure 1:** Stretcher orientation and clamp block position (patient right shown)

### Prepare the Stretcher

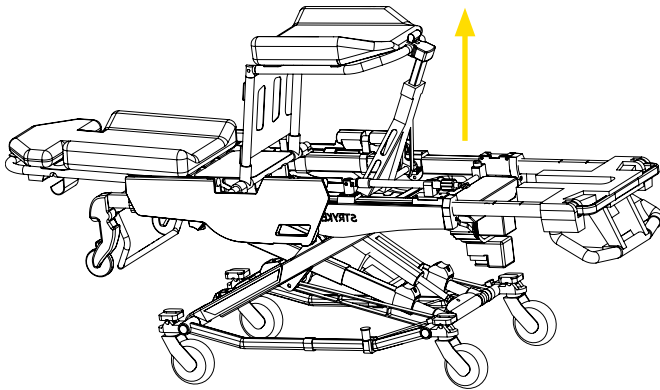
1. Remove all the medical devices from the stretcher and set them aside.
2. Lower and push to insert the wagon handle, if needed (Figure 2 A).
3. Extend the foot section to its fullest, using the handles (Figure 2 B).



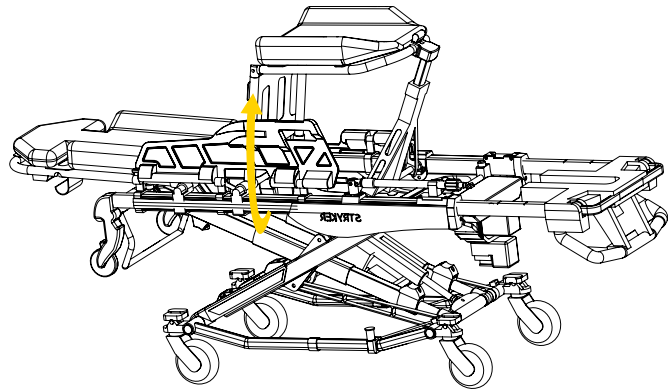
**Figure 2:** Stretcher preparation - Wagon handle retracted/Foot section extended

4. Lift the foot end of the stretcher to allow more space for the installation (Figure 3 A).
5. Lift the side rail to access the slider block cover using the handle (Figure 3 B).

(A)



(B)

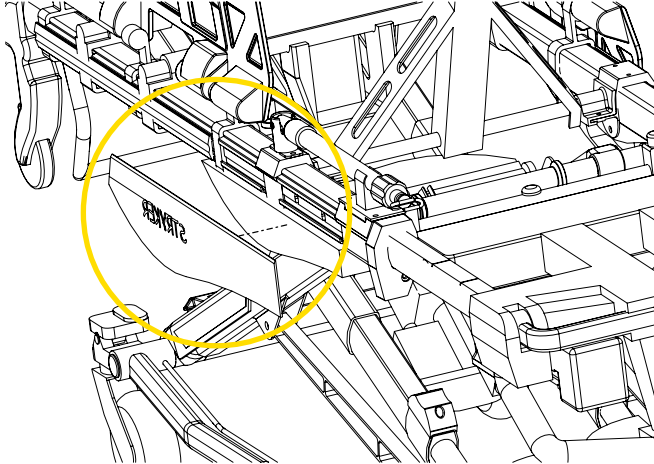


**Figure 3:** Stretcher preparation - Foot end raised/Side rail up

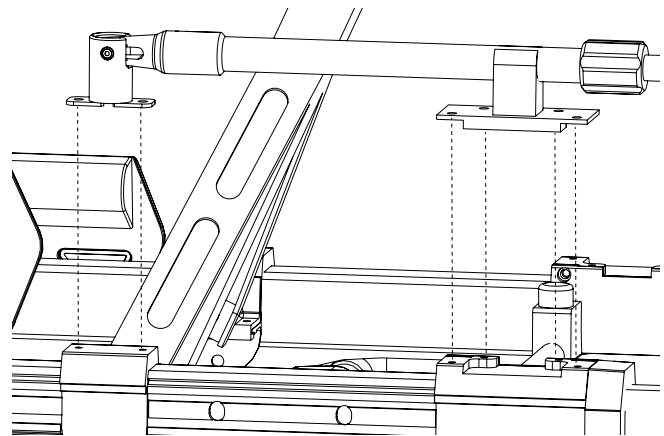
6. Remove the slider block cover and set it aside (4 screws; Figure 4 A).
7. Remove the IV pole and clip (6 screws; Figure 4 B).

**NOTE:** Once removed, the IV pole and clip can be stored until needed or reinstalled on the opposite side of the stretcher using the same hardware. If the IV pole must be installed on the same side as the clamp block, an IV Adapter 2 will be required for the installation. Please contact Customer Service at [customerservice@technimount.com](mailto:customerservice@technimount.com).

(A)



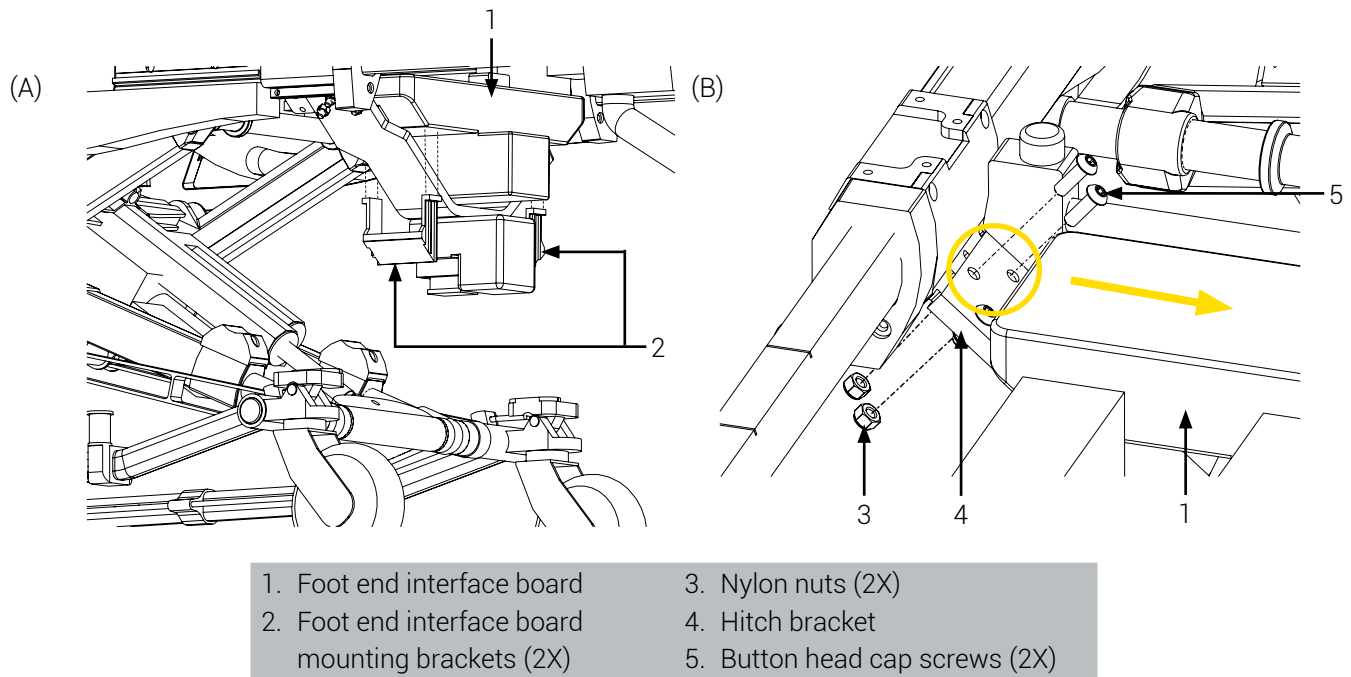
(B)



**Figure 4:** Stretcher preparation - Slider block cover/IV pole and clip removal

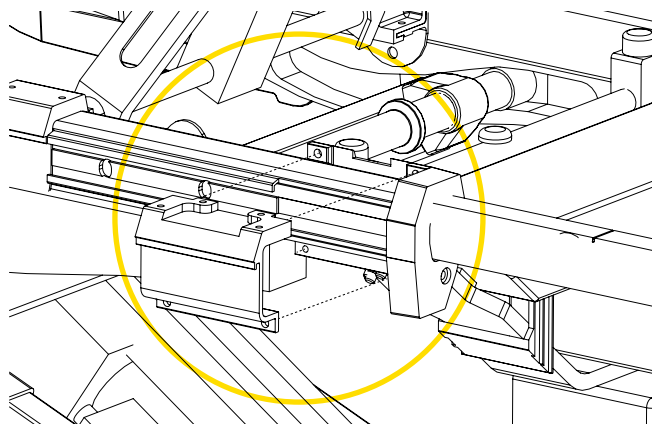


8. Locate the foot end interface board at the patient foot end (Figure 5 A).
9. Remove the 2 foot end interface board mounting brackets to loosen the foot end interface board (8 screws; Figure 5 A). Set aside the hardware for a later step.
10. Move the previously loosened foot end interface board towards patient left on the hitch bracket, enough to access the 3 screws on the hitch bracket (Figure 5 B).
11. Remove the 2 screws and 2 nuts that are closest to the patient head end (Figure 5 B). Set aside the 2 nuts as they will be re-used in a later step. The 2 screws will not be reused for this specific installation.



**Figure 5:** Foot end interface board preparation

12. Remove the exterior part of the clamp block (4 screws; Figure 6). It will not be reused for this specific installation.



**Figure 6:** Stretcher preparation - Exterior part of clamp block removal

The stretcher preparation is complete. The Clamp Block for the Power-PRO™ 2 stretcher can now be installed.

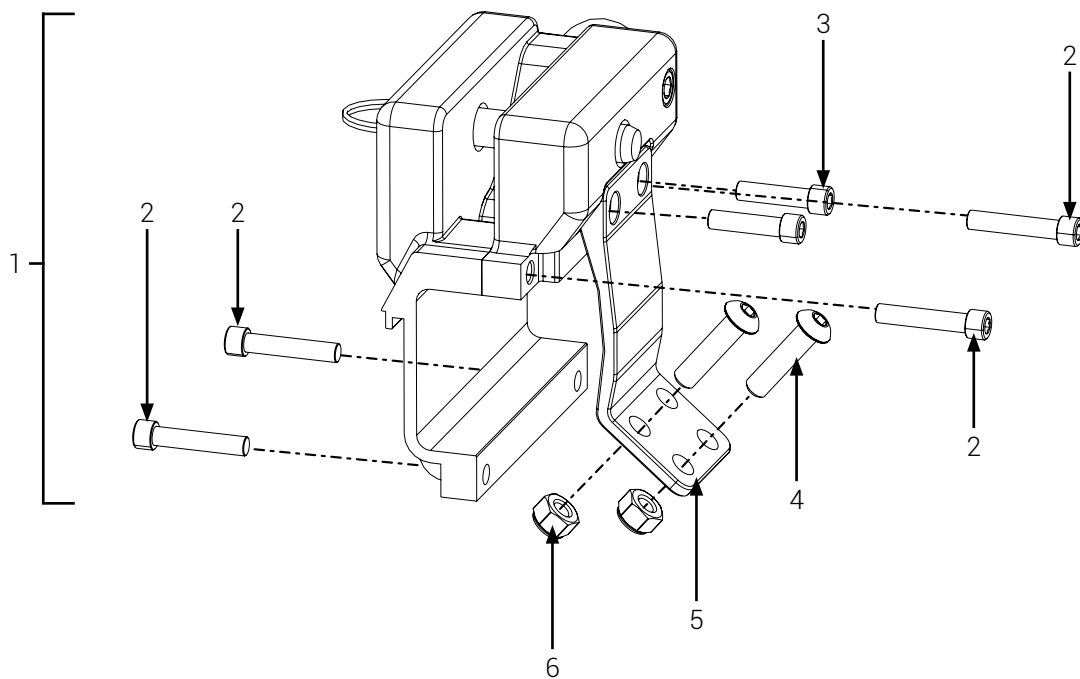
## Install the Clamp Block for the Power-PRO™ 2 Stretcher

### Required Tools

- Allen key 3/16 in.
- Wrench 1/2 in.
- Medium strength thread lock adhesive (herein illustrated as "🔩")

**NOTE:** Prior to the installation, put a few drops of medium strength thread lock adhesive on each screw to avoid premature loosening of screws during normal use.

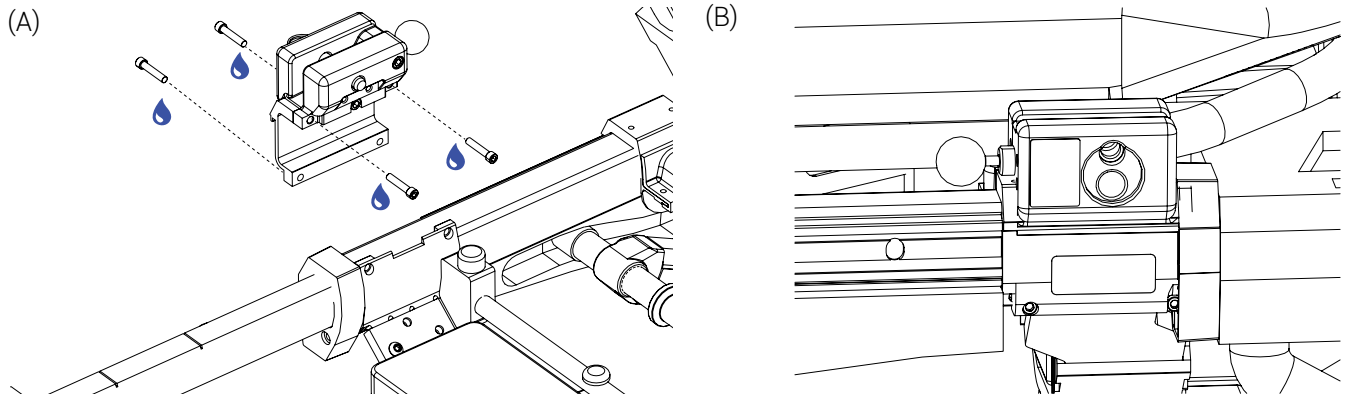
### Required Parts



- |  |   |
|--|---|
| 1. Clamp block assembly                              | 5. Clamp block reinforcement plate              |
| 2. Socket head cap screws 1/4 - 20 x 1 1/4 in. (4X)  | 6. Nylon nuts (2X; reused from stretcher parts) |
| 3. Socket head cap screws 1/4 - 20 x 1 in. (2X)      |   |
| 4. Button head cap screws 5/16 - 18 x 1 1/4 in. (2X) |   |

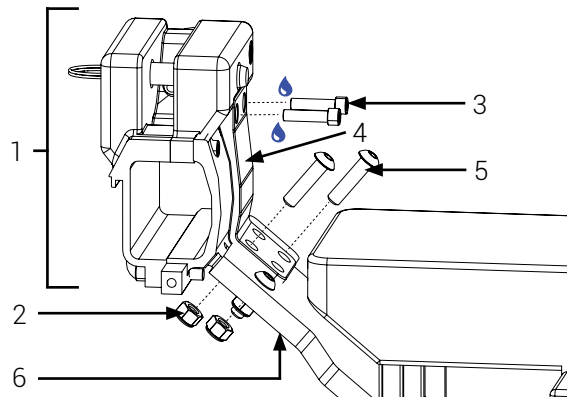
**Figure 7:** Required parts

1. Install the clamp block on the stretcher, using the 4 socket head cap screws 1/4 - 20 x 1 1/4 in., thread lock adhesive and an Allen key 3/16 in. (Figure 8).



**Figure 8:** Installation of the clamp block

2. Install the clamp block reinforcement plate (Figure 9):
  - Use 2 socket head cap screws 1/4 - 20 x 1 in., thread lock adhesive and an Allen key 3/16 in. to install the reinforcement plate in the clamp block.
  - Use 2 button head cap screws the 2 previously removed nuts, an Allen key 3/16 in. and wrench 1/2 in. to install the reinforcement plate on the hitch bracket. A torque of 17 - 23 ft-lb is recommended.



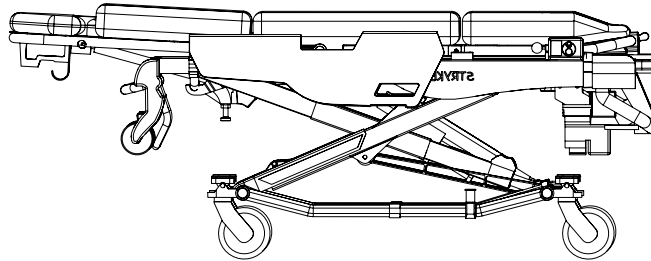
- |   |                                |
|---|--------------------------------|
| 1. Clamp block                                  | 4. Reinforcement plate         |
| 2. Nylon nuts (2X)                              | 5. Button head cap screws (2X) |
| 3. Socket head cap screws 1/4 - 20 x 1 in. (2X) | 6. Hitch bracket               |

**Figure 9:** Installation of the clamp block/Clamp block reinforcement plate

3. Recenter the foot end interface board on the hitch bracket (Figure 5).
4. Reinstall the 2 foot end interface board mounting brackets (8 screws; Figure 5). A torque of 1.06 - 1.44 ft-lb is recommended.
5. Optionally, reinstall the IV pole and clip on the opposite side of the stretcher (6 screws; Figure 4).
6. Reinstall the slider block cover (4 screws; Figure 4).

7. Lower the stretcher foot end and lower the stretcher side rail (Figure 3).
8. Fully retract the foot section, then if required extend and lift the wagon handle (Figure 2).

The installation of the clamp block for the Power-PRO™ 2 stretcher is complete (Figure 10). The Safety Arm System™ 500 can now be installed.



**Figure 10:** Clamp block for the Power-PRO™ 2 stretcher installed

### Install the IV Adapter 2 for the Power-PRO™ 2 Stretcher (Optional)

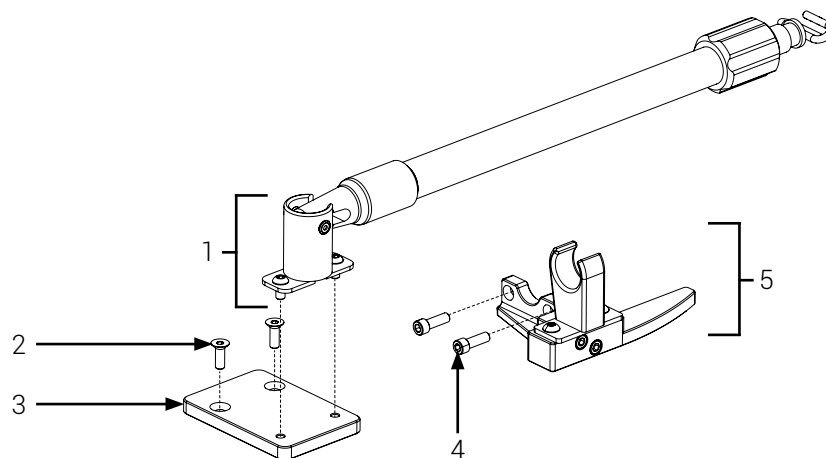
**NOTE:** The following optional procedure only applies to users who would like to install an IV pole and clip on the same side as the clamp block.

#### Required Tools

- Allen key 3/16 in.
- Allen key 4 mm
- Medium strength thread lock adhesive (herein illustrated as "💧")

**NOTE:** Prior to the installation, put a few drops of medium strength thread lock adhesive on each screw to avoid premature loosening of screws during normal use.

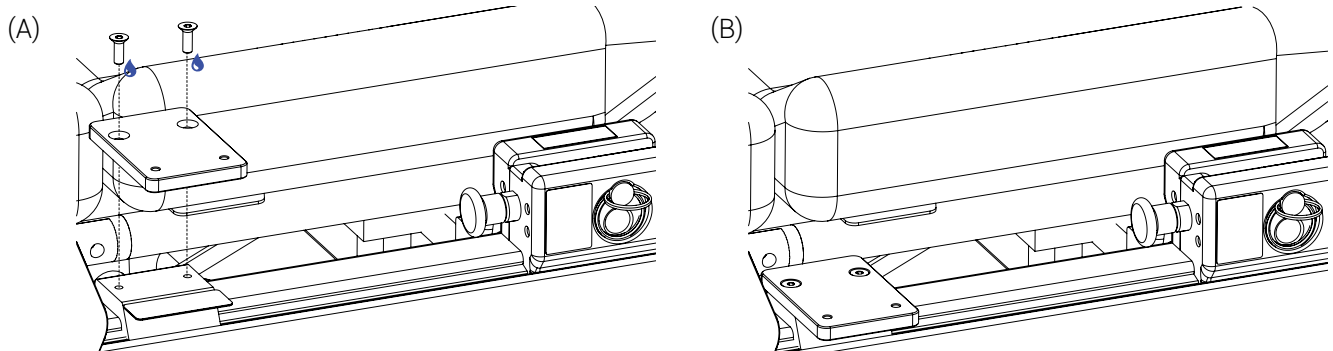
#### Required Parts



- |   |  |
|---|--|
| 1. IV pole and hardware (user provided) | 4. Socket head cap screws 1/4 -20 x 3/4 in. (2X) |
| 2. Flat head screws M6 X 18 mm (2X)     | 5. IV pole clip                                  |
| 3. IV Adapter 2 mounting plate          |  |

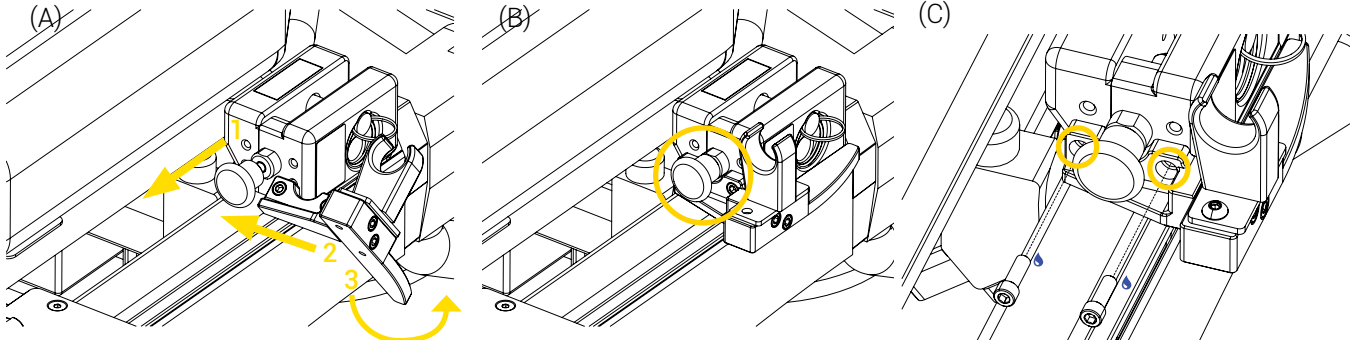
**Figure 11:** Required parts

1. Install the IV Adapter 2 mounting plate on the stretcher using two (2) flat head screws M6 X 18 mm, thread lock adhesive and an Allen key 4 mm (Figure 12).



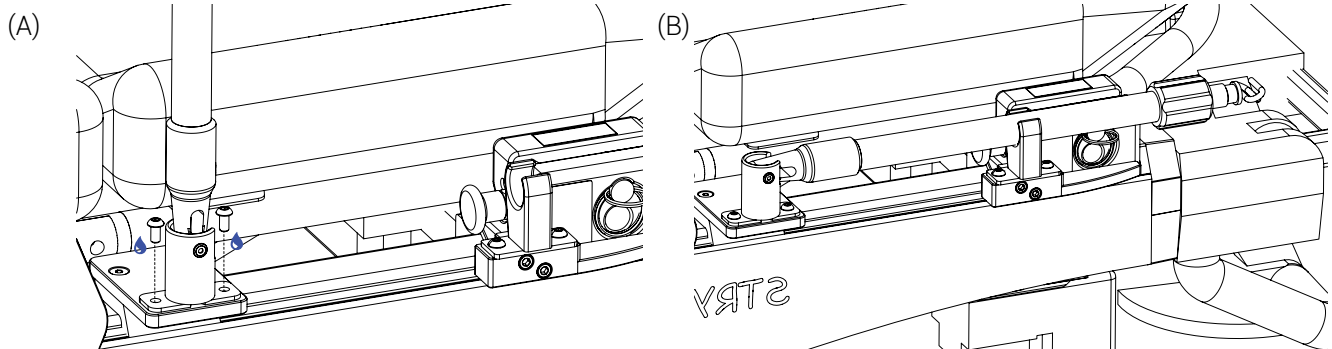
**Figure 12:** IV Adapter 2 mounting plate installation

2. Pull the quick release knob and insert the short end of the IV pole clip at an angle on the stretcher in front of the clamp block (Figure 13 A), then release the knob.
3. Position the IV pole clip on the stretcher at the base of the clamp block, ensuring that the base of the quick release knob is nestled in the recess of the clip (Figure 13 B).
4. Install the IV pole clip using two (2) socket head cap screws 1/4 -20 x 3/4 in., thread lock adhesive and an Allen key 3/16 in. (Figure 13 C).



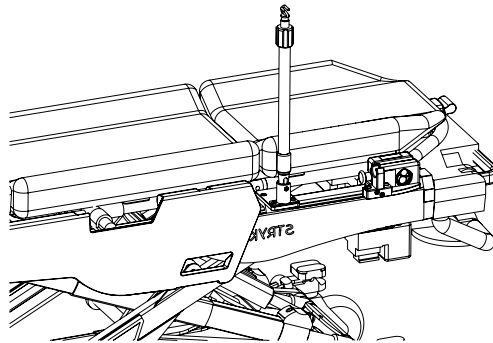
**Figure 13:** IV pole clip installation

5. Install the IV pole on the clamp block reusing the two (2) previously removed screws in step 7 of the "Prepare the Stretcher" section and thread lock adhesive (Figure 14).



**Figure 14:** IV pole installation

The installation of the IV Adapter 2 for the Power-PRO™ 2 stretcher is complete (Figure 15).

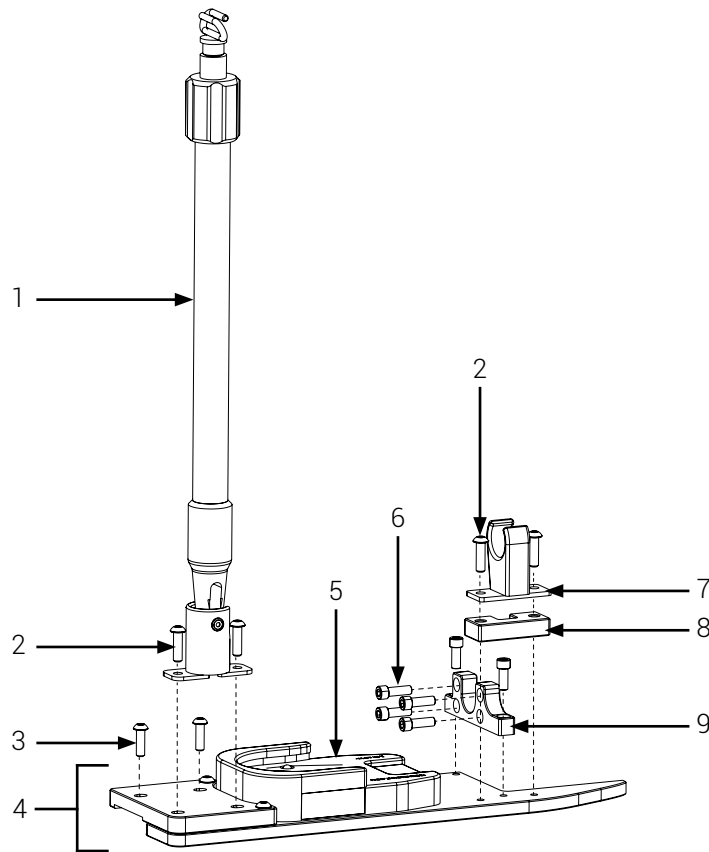


**Figure 15:** IV Adapter 2 for the Power-PRO™ 2 stretcher installed

**Install the IV Pro Adapter 2-SMDT for the Power-PRO™ 2 Stretcher (Optional)**
**Required Tools**

- Allen key, 3/16 in.
- Allen key 4 mm
- Medium strength thread lock adhesive (herein illustrated as "🔩")

**NOTE:** Prior to the installation, put a few drops of medium strength thread lock adhesive on each screw to avoid premature loosening of screws during normal use.

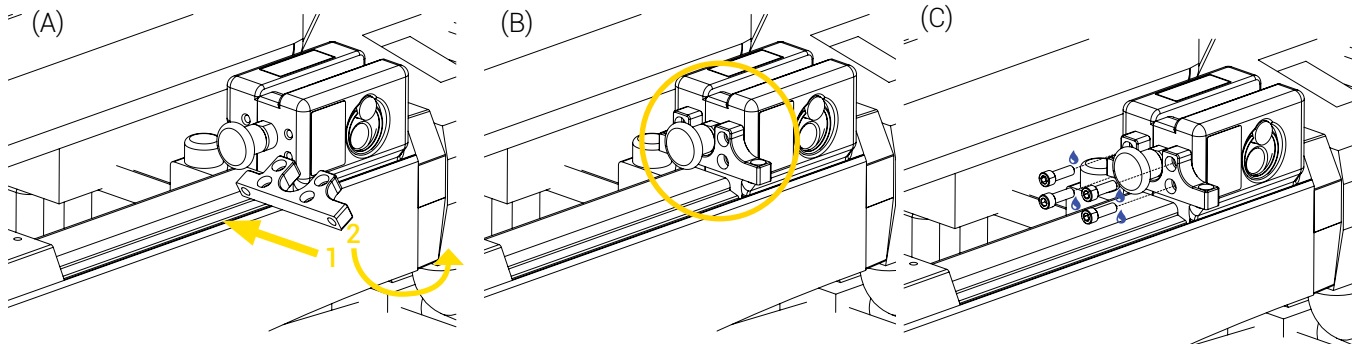
**Required Parts**


1. IV pole (user provided)	5. Micro Base
2. Button head screws 1/4 x 3/4 in. (4X)	6. Socket head cap screws 1/4 -20 x 3/4 in. (6X)
3. Button head screws M6 X 20 mm (2X)	7. IV pole clip
4. IV Pro Adapter 2-SMDT	8. IV pole block
	9. U-shaped bracket

**Figure 16:** Required parts

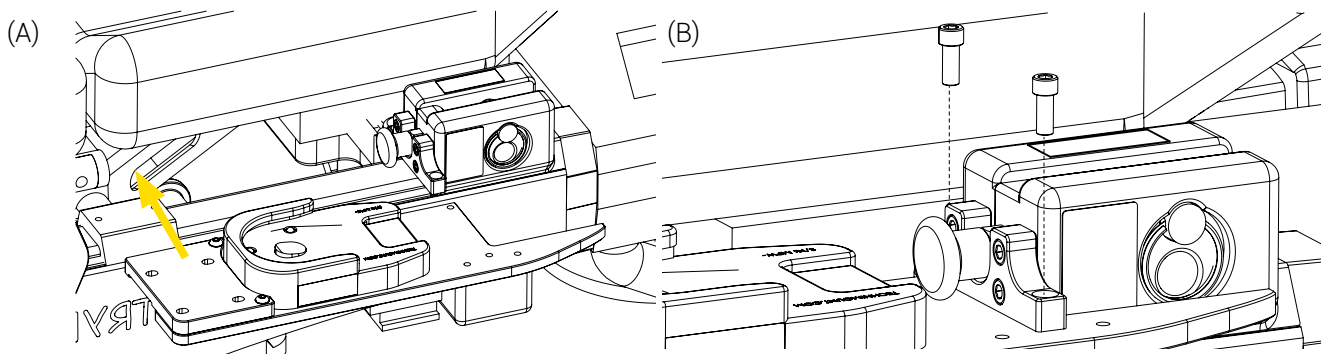


1. Insert the u-shaped bracket at an angle at the base of the clamp block, ensuring that the shorter end of the bracket is inserted towards the mattress (Figure 17 A).
2. Position the u-shaped bracket against the clamp block, ensuring that the base of the quick release knob is nestled in the recess of the bracket (Figure 17 B).
3. Install the u-shaped bracket using four (4) socket head cap screws 1/4 -20 x 3/4 in., thread lock adhesive and an Allen key 3/16 in. (Figure 17 C).



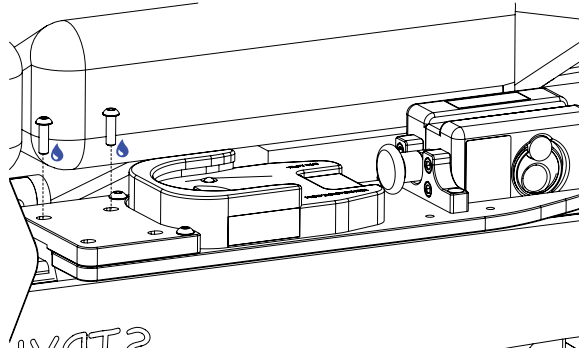
**Figure 17:** Preliminary mounting plate bracket installation

4. Slide the IV Pro Adapter 2-SMDT mounting plate on the stretcher and under the u-shaped bracket (Figure 18 A).
5. Finish the installation of the u-shaped bracket using two (2) socket head cap screws 1/4 -20 x 3/4 in. and an Allen key 3/16 in. (Figure 18 B).



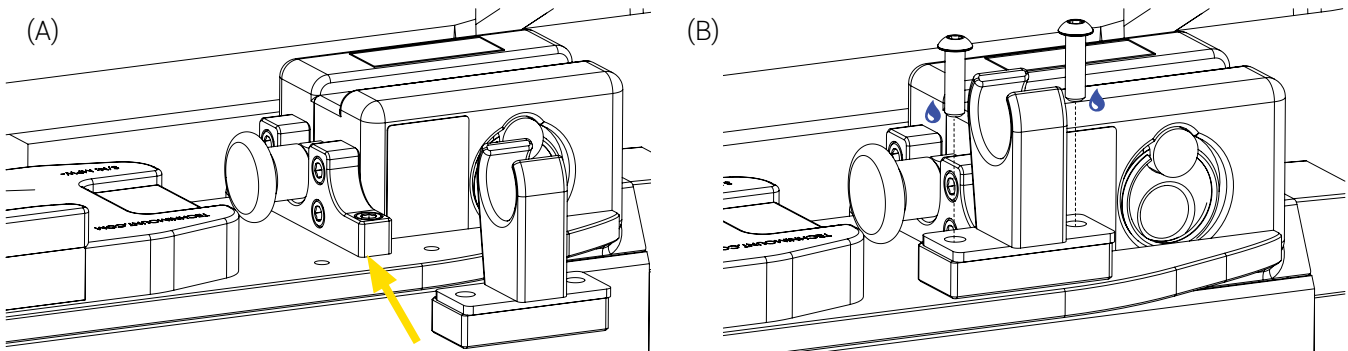
**Figure 18:** IV Pro Adapter 2-SMDT mounting plate installation

6. Install the IV Pro Adapter 2-SMDT mounting plate using two (2) button head screws M6 X 18 mm, thread lock adhesive and an Allen key 4 mm (Figure 19).



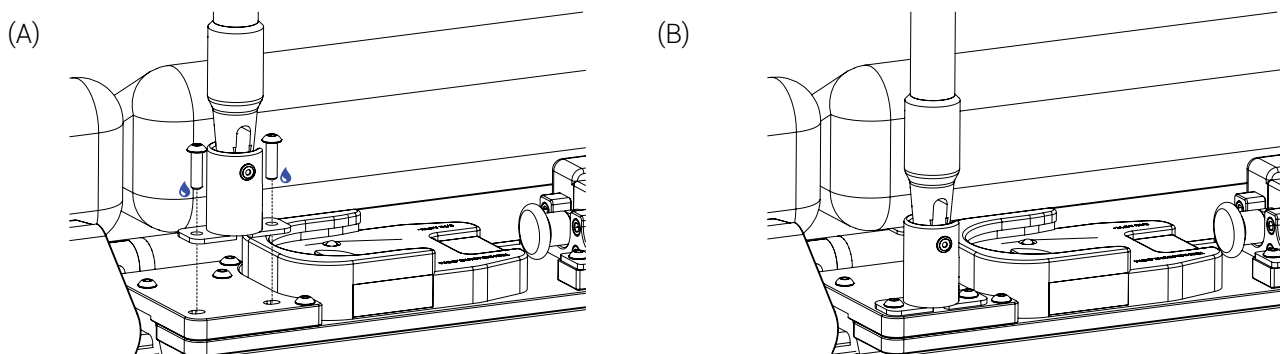
**Figure 19:** IV Pro Adapter 2-SMDT mounting plate installed

7. Position the IV pole block and clip on the stretcher, ensuring that the mounting plate bracket is nestled in the recess of the IV pole block (Figure 20 A).
8. Install the IV pole block and clip using two (2) button head screws 1/4 x 3/4 in., thread lock adhesive and an Allen key 4 mm (Figure 20 B).



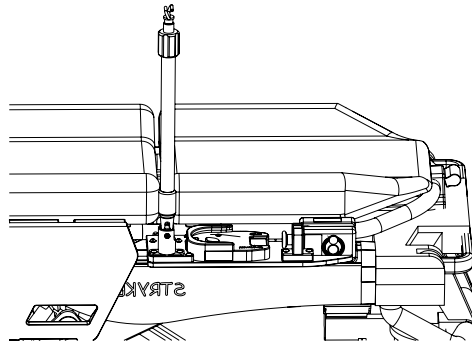
**Figure 20:** IV pole block and clip installation

9. Install the IV pole on the IV Pro Adapter 2-SMDT using the two (2) button head screws 1/4 x 3/4 in., thread lock adhesive and an Allen key 4 mm (Figure 21).



**Figure 21:** IV pole installation

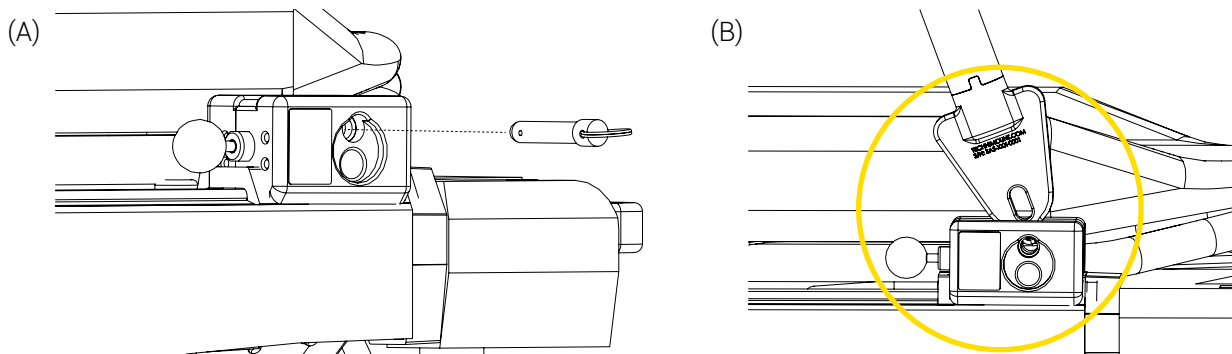
The installation of the IV Pro Adapter 2-SMDT for the Power-PRO™ 2 stretcher is complete (Figure 22).



**Figure 22:** IV Pro Adapter 2-SMDT for the Power-PRO™ 2 stretcher installed

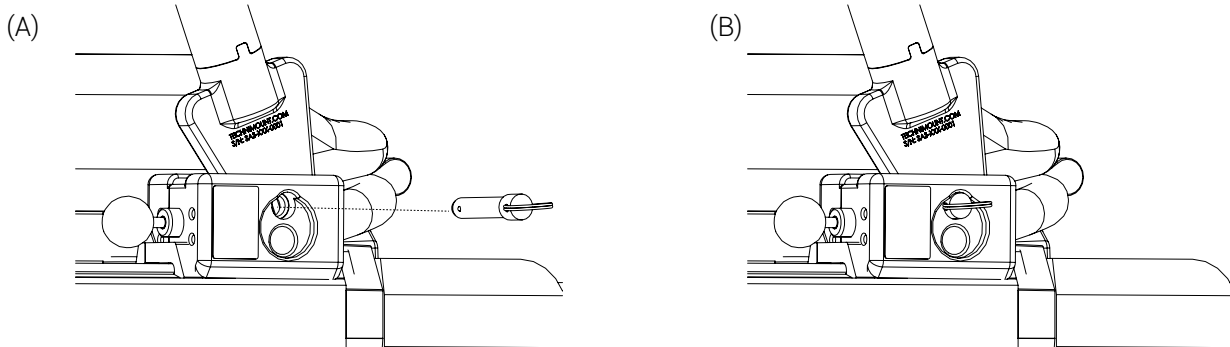
### Install the Safety Arm System™ 500 in the Clamp Block for the Power-PRO™ 2 stretcher

1. Remove the lock pin using the finger ring (Figure 23 A).
2. Pull and hold the safety pin (quick release mechanism) in this position, then insert the triangle at the base of the arm at an angle into the clamp block (Figure 23 B).
3. Adjust the angle of the arm to align the hole of the triangle at the base of the arm with the hole of the clamp block, then release the safety pin (quick release mechanism).



**Figure 23:** Safety Arm System™ 500 installation

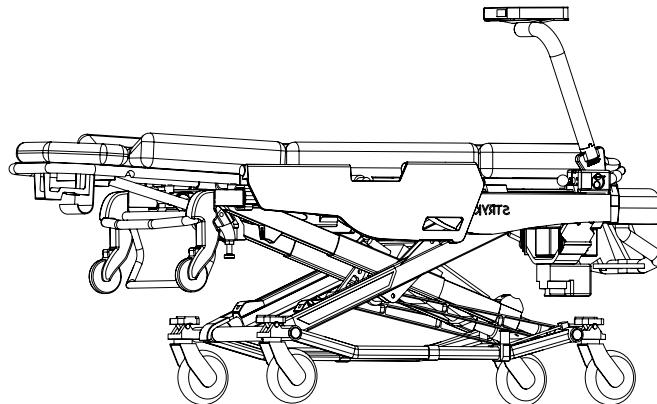
4. Reinsert the lock pin. Push the lock pin in until the finger ring is flat against the surface of the clamp block (Figure 24).



**Figure 24:** Lock pin installed

5. Move the Safety Arm System™ 500, up and down to ensure that it is secured in the upright position.

The installation of the Safety Arm System™ 500 in the clamp block for the Power-PRO™ 2 stretcher is complete (Figure 25).



**Figure 25:** Safety Arm System™ 500 installed