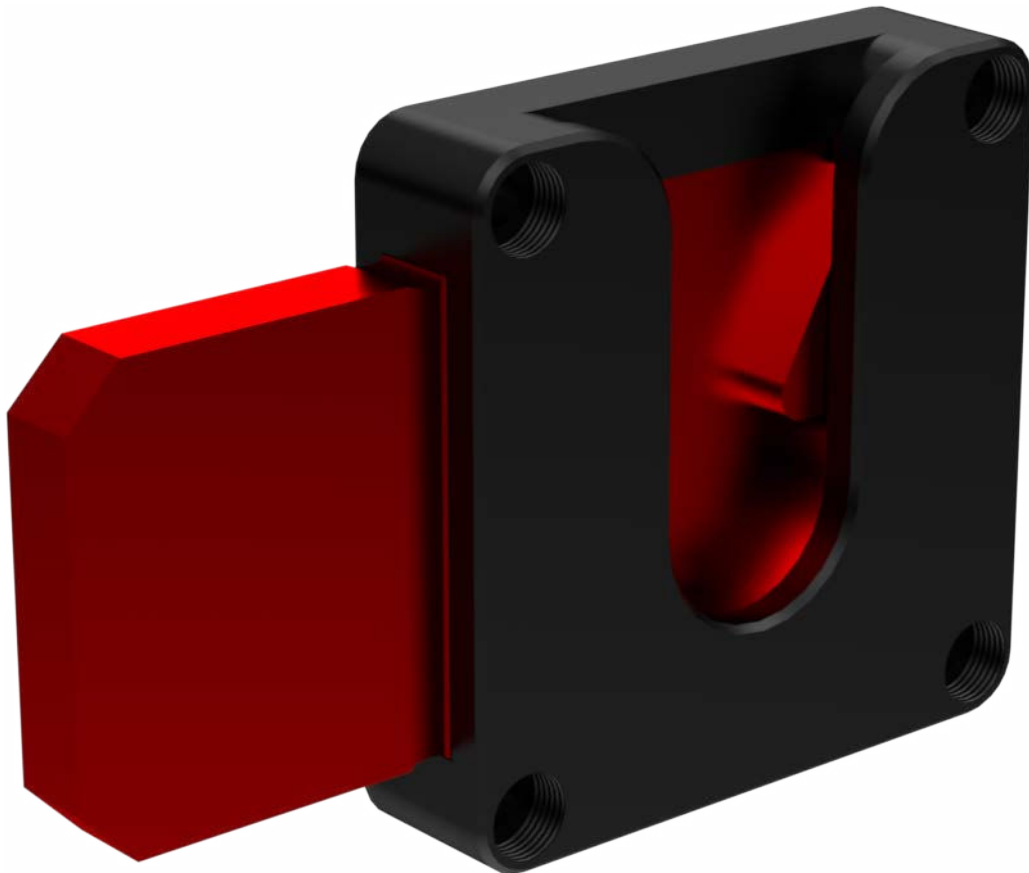




TECHNIMOUNT
EMS®

FLEX SEQR™ EMS PRODUCT LINE

USER MANUAL



SAFETY AND FLEXIBILITY
WHERE IT MATTERS MOST

Copyrights

Copyright 2025 Technimount E.M.S. Holding Inc. is an affiliated company of Technologies CGC Inc. All Rights Reserved. No part of this publication may be reproduced, transmitted, transcribed, backed-up on a retrieval system, translated in any language, modified in any form or by any means, without the written permission of Technimount or its affiliate companies.

Trademarks

Product and medical device manufacturer names are Trademarks™ or Registered Trademarks® of their respective holders.

- Technimount EMS® is a registered trademark of Technologies CGC Inc.
- Flex Seqr™ and Techni-O2™ are a trademarks of Technologies CGC Inc.
- Power-PRO™ is a trademark of Stryker Corporation.
- Oxivir® is a registered trademark of Diversey.
- Lavo® is a registered trademark of KIK Holdco Company, Inc.

For any issues with your Technimount product, its components, or for any technical questions during the installation, operation, or maintenance, please contact Technical Support at techsupport@technimount.com.

Contact Information

Technimount E.M.S. Holding Inc.

C/O: Regulatory Affairs

3770 Jean Marchand Street, Suite 100-C

Quebec (Quebec) G2C 1Y6

Canada

customerservice@technimount.com

techsupport@technimount.com

legal@technimount.com

www.technimount.com

T + 1 581 700-6613

TF + 1 888 639-2758 (North America)

Table of Contents

Copyrights	ii
Trademarks	ii
Contact Information	ii
1. General Mentions and Considerations	5
..... 1.1. Intended Use	5
..... 1.2. User Competency	5
..... 1.3. Warranties	6
..... 1.3.1. Warranty Policy	6
..... 1.3.2. Limited Warranty	6
..... 1.3.3. International Warranty Clause	7
..... 1.3.4. User Liability	7
..... 1.4. Claims	7
..... 1.4.1. Damaged or Defective Merchandise	7
..... 1.4.2. Return Policy	7
..... 1.4.3. Return of Material Authorization (RMA)	8
..... 1.4.4. Claim Process	8
2. General Safety Guidelines	9
..... 2.1. Symbols and Definitions	9
..... 2.2. Labels	10
..... 2.2.1. Safety Labels	10
..... 2.2.2. Manufacturing Labels	12
..... 2.3. Safety Measures	14
3. Technical Specifications	16
4. Flex Seqr Illustrated Parts	18
5. Flex Seqr Illustrated Specifications	20
6. Flex Seqr Illustrated Compatible Installation Positions	22
..... 6.1. Compatible Installations on the Lateral Frame of the Stretcher	22
..... 6.2. Compatible Installations on a Vertical Surface	24
..... 6.3. Compatible Installation at Patient Foot End of the Stretcher	27
..... 6.4. Compatible Installation at Patient Head end of the Stretcher	28
7. Operate the Flex Seqr Mounting Systems	29
..... 7.1. Install the Mounting Bracket in the Flex Seqr Mounting System	29

..... 7.2. Remove the Mounting Bracket from the Flex Seqr	30
8. Operate the Optional Accessories	31
..... 8.1. Install the Flex Seqr Protector	31
..... 8.2. Remove the Flex Seqr Protector	32
Annex I EMS and clinical personnel Skills Assessment	33
Annex II Unpack the Flex Seqr Mounting System	35
Annex III Install the Flex Seqr Mounting System	37
..... Required Installation Time	37
..... Required Tools	37
..... Install the Flex Seqr Stretcher Side on the Lateral Frame of the Stretcher	38
..... Install the Flex Seqr Vertical Mount on a Vertical Surface	40
..... Install the Flex Seqr Stretcher Foot End at Patient Foot End of the Stretcher	43
..... Install the Flex Seqr Stretcher Head End at Patient Head End of the Stretcher	44
Annex IV Maintenance	47
..... Maintenance Frequency	48
..... Required Tools	48
..... Tested and Approved Cleaning Solutions	48
..... Maintenance Plan	49
..... Safety Checks	49
..... Condition-Based Maintenance	50
..... Maintenance Log	51
..... Illustrated Inspection Points	52
Annex V Replacement Parts/Kits	55
Annex VI Flex Seqr Vertical Mount Drilling Template (Print to Scale)	57

1. General Mentions and Considerations

The Flex Seqr user manual includes detailed product information, standards and guidelines to assist the administrator/manager/supervisor and biomedical technician (or equivalent) with the unpacking, assembling (when indicated) and maintenance of the Technimount product. It also includes specific user-related information to assist trained EMS and clinical personnel with effectively operating the mounting system.

Please read the user manual thoroughly to fully assess, comprehend, then relay its content to EMS and clinical personnel during training, to warn them of any potential danger of its abuse, how to safely use the product and provide a safe environment for patients as well as themselves. Your established internal protocols should be updated to include the Technimount product(s) standards, guidelines, requirements and safety recommendations included within this documentation. The user manual should remain available to users when needed and relayed if the product is subsequently sold.

NOTE : Technimount continually seeks advancements in product design and quality. While the user manual contains the most updated product information available at the time of printing, it may contain minor differences from the current version, including image references. For more information, please contact Technical Support at techsupport@technimount.com.

NOTE : Technimount reserves the right to change part numbers and products without notice. Please contact Customer Service at customerservice@technimount.com to ensure product options and availability.

1.1. Intended Use

The Flex Seqr EMS product line is designed to aid trained EMS and clinical personnel secure and transport a gas cylinder in a mounting bracket on a stretcher or on an ambulance wall or door, during ground emergency medical services and critical care transport.

1.2. User Competency

To safely operate the Flex Seqr, the personnel must have the required skill level, taking in account the skill level that is necessary to comply with their function and level of interaction with the mounting system. Training should be given to EMS and clinical personnel prior to them using the Flex Seqr. Refer to the « EMS and clinical personnel Skills Assessment » section on page 33 to evaluate their competency.



Indicates who the content is intended for and the level of competency required. The definitions of the three (3) levels of competency are specified below.

- **Proficient (trained EMS and clinical personnel):** Has received the required training, is sufficiently knowledgeable to safely operate the product and have passed the skills assessment (refer to the « EMS and clinical personnel Skills Assessment » section on page 33).

NOTE : Any member of the EMS and clinical personnel who has not received the required training and lacks the knowledge needed to safely operate the mounting system must not use the product.

- **Expert (administrator/manager/supervisor):** Has in-depth knowledge and product comprehension, and is familiar with standards and guidelines. Skilled to train EMS and clinical personnel on how to safely use the product.
- **Advanced (biomedical technician or equivalent):** Has extensive mechanical experience. Skilled to perform the unpacking, assembly, safety checks and condition-based maintenance procedures as detailed herein, or the basic troubleshooting, upgrade and/or replacement procedures if applicable.

1.3. Warranties

1.3.1. Warranty Policy

This statement constitutes Technimount's entire warranty policy with regards to Technimount products. Technimount makes no other warranty or representation, neither expressed nor implied, except as stated herein. There is no warranty of merchantability or warranty of fitness for any particular purpose. Under no circumstances will Technimount be held liable hereunder for incidental or consequential damages, arising from or in any manner, related to sales or use of any such product.

Technimount E.M.S. Holding Inc. guarantees to the original "Purchaser" of the "Product" with which this "Limited warranty" is included, that the product will be free from "Defects" in workmanship and materials under normal use for a "Warranty period" of one (1) year from the product purchase date by the purchaser. During the warranty period, the product will be repaired or replaced according to the "Limited warranty" without charge to the purchaser for parts or labor. The parts and product may be repaired or replaced with new or refurbished parts or products. Herein this Limited Warranty, "Refurbished" means parts and products which have been returned to the factory, specifically. If the product is repaired or replaced within the warranty period, the greater of the remaining warranty period will apply, or three (3) months from the date of repair or replacement. If the product is repaired or replaced after the warranty period has expired, the warranty period for the repair or replacement will expire three (3) months after the repair or replacement date.

1.3.2. Limited Warranty

Technimount products are intended to secure in place medical devices only in the case of a single crash impact, and must thereafter be immediately replaced. If the end user uses a Technimount product following a crash impact, it is at the end user's own risk, and Technimount will not be held liable.

The limited warranty does not apply to normal wear that could result from normal use. It does not apply when the product or any of its components have been disassembled or repaired by someone not authorized by "Technimount". It does not cover repair or the replacement of any product or part thereof damaged by neglect, misuse, moisture, liquids, exposure to heat, accidents, abuse, and non-compliance with the instructions for installation and use provided with the product. It does not cover physical damage to the surface of the product. The decision to repair, replace or refuse the coverage is final and at the sole discretion of Technimount, without any compensation or obligation from Technimount. The product, defined as a "mounting system", used to secure and transport a gas cylinder in a mounting bracket on a stretcher or on an ambulance wall or door, and should only be used to fill this requirement. Any other use will void the warranty and Technimount shall not be held liable on any claim if the product has been modified or adapted for use.

1.3.3. International Warranty Clause

This warranty abides by the Canadian domestic policy. Warranty outside Canada may vary by country. Please contact Customer Service at customerservice@technimount.com for more information.

1.3.4. User Liability

The purchaser and administrator are responsible to validate regulations and standards for safety in their region, to comply with applicable safety regulations. Technimount is not responsible to inform the purchaser or the administrator of any applicable legislation for safety in their area.

The administrator is responsible for providing proper training to any personnel who will install, operate and perform maintenance on Technimount products.

1.4. Claims

1.4.1. Damaged or Defective Merchandise

ICC Regulations require that claims for damaged merchandise must be made with the carrier within fifteen (15) days of the reception date. **Do not** accept damaged merchandise unless such damage is noted on the delivery receipt at the time of reception. Upon prompt notification, Technimount will file a freight claim with the appropriate carrier for damages incurred. Claims are limited in amount to the actual replacement cost. If the claim has not been received by Technimount within the fifteen (15) day period following the date of delivery, or the damage was not noted on the delivery receipt at the time of receipt, the customer will be responsible for the full payment of the original invoice.

Claims for any short or broken merchandise must be made within thirty (30) days of invoicing. For details, refer to the claim process or contact Customer Service at customerservice@technimount.com.

1.4.2. Return Policy

Technimount products may be returned up to sixty (60) days from the reception date, if:

- The received product does not match what was originally ordered.
- The product does not meet the Technimount technical sheet specifications.
- The product is not compatible with the system on which it was intended to be installed on.

To return a Technimount product,

- A Return of Merchandise Authorized (RMA) must be requested and approved by Technimount prior to returning the product.
- Products must be returned undamaged and in its original packaging, appropriately identified with the approved RMA number. Returns will not be approved on a modified or damaged item.
- Charges may apply if the package received is damaged or items are missing.
- Purchaser is responsible for a restocking fee (refer to Table 1 on page 8).

Table 1: Restocking fees

RESTOCKING FEES	
Prior to thirty (30) days	10%
Prior to forty-five (45) days	25%
Prior to sixty (60) days	30%

For any manufacturing defect, refer to the conditions within the warranty policy or contact Customer Service at customerservice@technimount.com for additional information.

1.4.3. Return of Material Authorization (RMA)

The Technimount Customer Service department is responsible for all merchandise returns and will provide a Return of Merchandise Authorization (RMA) number, upon approval. The RMA must be printed and placed on the returned merchandise. Technimount reserves the right to charge shipping and restocking fees (refer to Table 1) for the returned items. Special, modified, or discontinued items are not subject to returns.

1.4.4. Claim Process

Upon reception of the returned merchandise, a thorough inspection will be performed. If the merchandise is compliant with the return policy or it is found that the product is defective, Technimount will take corrective actions and close the claim. If, however, it is found that the product is not defective, but rather misused or abused, the product will not be covered by the warranty. Details of our findings and conclusions will be provided shortly thereafter. To submit a claim, contact Customer Service at customerservice@technimount.com to obtain a Return of Material Authorization (RMA) form and return instructions.

2. General Safety Guidelines



The content in this section is intended for personnel who have a proficient, expert or advanced level of competency. Refer to the « User Competency » section on page 5 if needed.

Pictograms, safety symbols and labels are used to alert the user to a potentially hazardous situation, which, if not avoided, may endanger the patients or EMS and clinical personnel, and/or damage the product. This includes the special care necessary for the safe and effective use of the Technimount product to avoid damage that may occur from use or misuse.

The terms "Warning" and "Caution" herein carry special meaning and should be carefully reviewed before reading the « Safety Measures » section on page 14.

WARNING – Indicates a hazardous situation that, if not avoided, could result in death or serious injury, and/or damage to the product.

CAUTION – Indicates a hazardous situation that, if not avoided, could result in minor or moderate injury, and/or damage to the product.

2.1. Symbols and Definitions



WARNING – Risk of Injury

Indicates when a misuse of the Technimount product could result in injuries to the patients or EMS and clinical personnel, and/or damage to the product.



CAUTION – Safe Practice

Alerts the reader to pay special attention to the recommendations and methods outlining how to safely operate the product to minimize risks to the patients, EMS and clinical personnel, and/or to the product.



CAUTION – Safe Handling and Operation

Alerts the reader to pay special attention to the recommendations for safe use of the product, and of potentially hazardous situations that could result in minor injuries to the patients or EMS and clinical personnel. This includes the special care necessary for the safe and effective use of the product to avoid damage that may occur from use or misuse.



CAUTION – Safe Working Load (SWL)/Load Balance

Indicates the maximum charge for a safe use of the product.



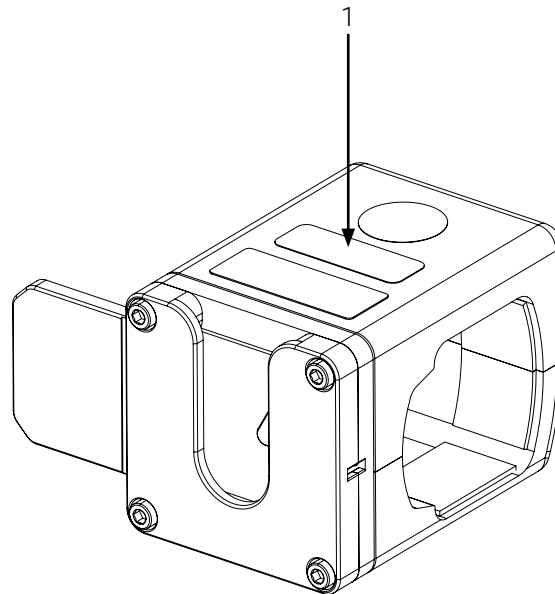
CAUTION – Follow Instructions for Use

Call for action. Reminds the reader to consult the user manual for information.

2.2. Labels

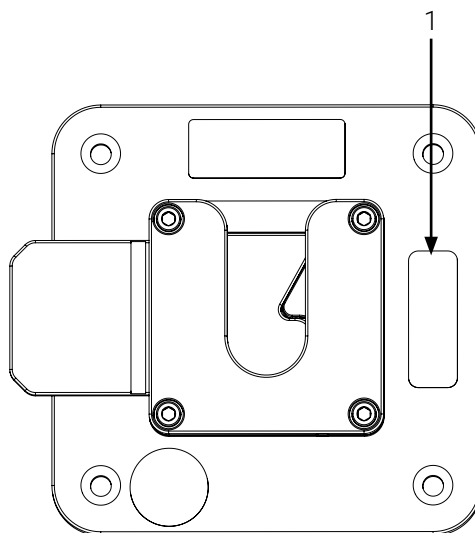
Labelling on the surface of the Technimount product, quickly identify potential risks and provides information to the user. A Safe Working Load (SWL) label (Figure 1, Figure 2, Figure 3 and Figure 4), and a manufacturing label, including the serial number (Figure 5, Figure 6, Figure 7 and Figure 8), can be seen on the Technimount product.

2.2.1. Safety Labels



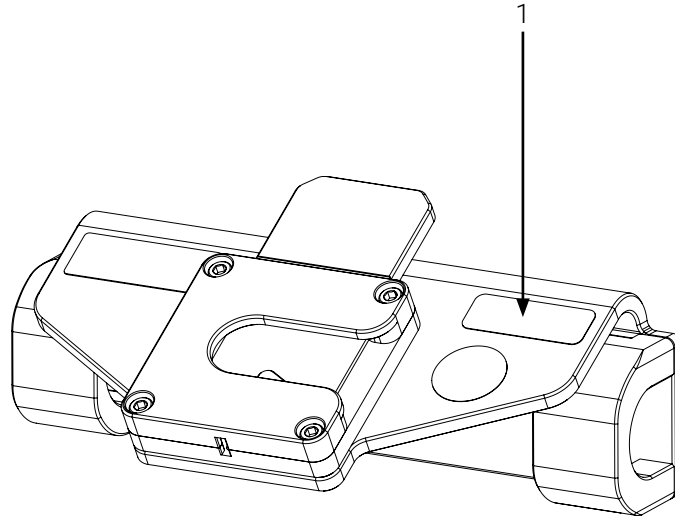
1. Safe Working Load

Figure 1: Location of the safety label – Flex Seqr Stretcher Side



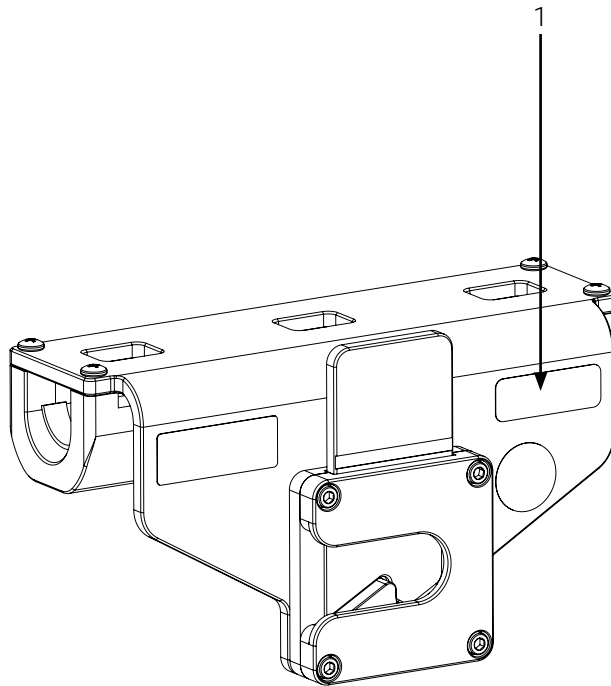
1. Safe Working Load

Figure 2: Location of the safety label – Flex Seqr Vertical Mount



1. Safe Working Load

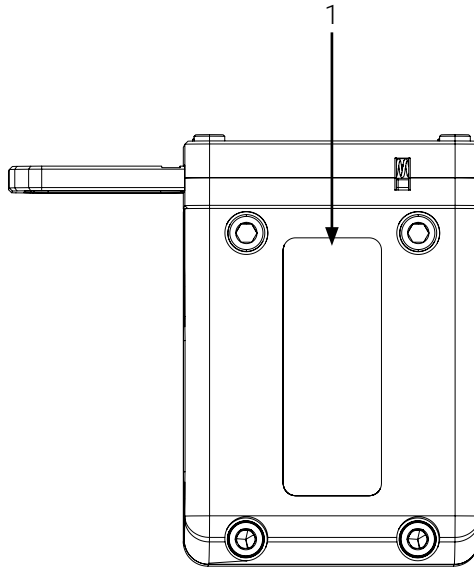
Figure 3: Location of the safety label – Flex Seqr Stretcher Foot End



1. Safe Working Load

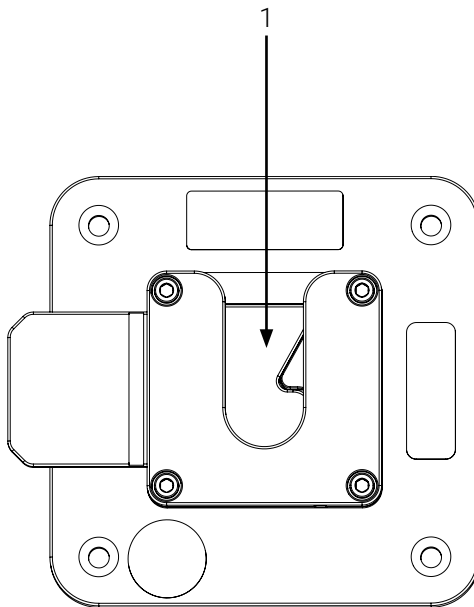
Figure 4: Location of the safety label – Flex Seqr Stretcher Head End

2.2.2. Manufacturing Labels



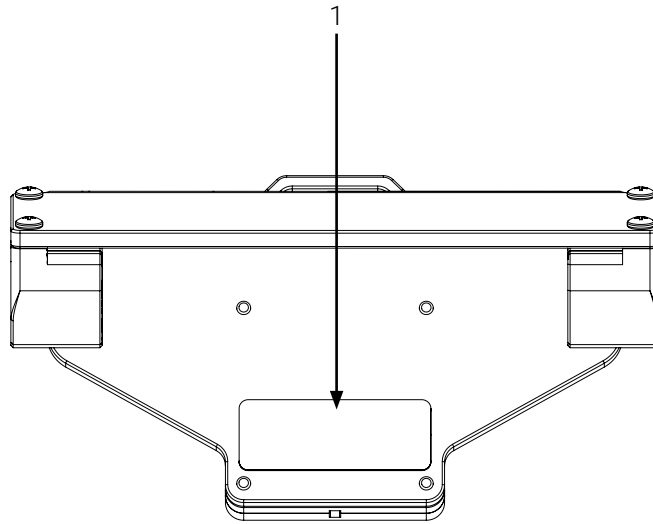
- 1. Manufacturing label

Figure 5: Location of the manufacturing label – Flex Seqr Stretcher Side



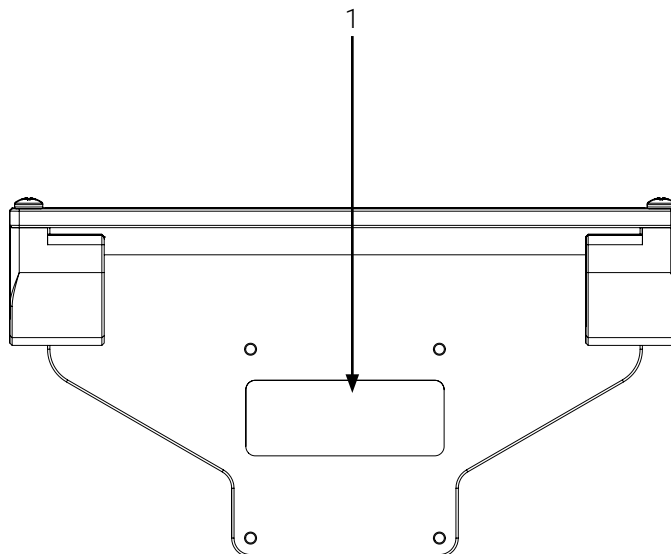
- 1. Manufacturing label (hidden behind the Flex Seqr)

Figure 6: Location of the manufacturing label – Flex Seqr Vertical Mount



1. Manufacturing label

Figure 7: Location of the manufacturing label – Flex Seqr Stretcher Foot End



1. Manufacturing label

Figure 8: Location of the manufacturing label – Flex Seqr Stretcher Head End

2.3. Safety Measures

Carefully read all the safety measures herein before operating the Technimount product, and always abide by all the safety guidelines identified within this document.

Specific safety measures relating to the safety checks and conditioned-based maintenance, intended for personnel who have an advanced level of competency, can be found in the « Maintenance » section on page 47.



WARNING – Risk of Injury

- Always use the Flex Seqr as it was intended, using only the compatible mounting brackets and gas cylinders. Improper use of the Technimount product may cause unpredictable functioning resulting in injury to patients or to EMS and clinical personnel. Refer to the « Technical Specifications » section on page 16 for the compatibilities.
- If any serious incident occurs with the Flex Seqr, immediately stop using the product, report the incident to Technical Support at technicalsupport@technimount.com and the applicable regulatory agency.



CAUTION – Safe Practice

- Always pay close attention to the condition of the locking mechanism of the Flex Seqr, to avoid risks of damage, of equipment falling, or to prevent injuries to patients or to EMS and clinical personnel.
- Practice safely operating the Flex Seqr until the manipulations have been perfected, before use with patients. Improper use of a Technimount product may damage it or cause injury to patients or to EMS and clinical personnel.
- Regulations and standards for safety are the sole responsibility of the end user. Ensure that the installation specifications meet the local and regional compliance requirements before use.
- Refer to your established internal protocols and the user documentation provided with the gas cylinder for the safety guidelines and safe use.



CAUTION – Safe Handling and Operation

- Always ensure that the locking mechanism of the Flex Seqr is functional before it is used for transport to avoid risks of damage, of equipment falling, or to prevent injuries to patients or to EMS and clinical personnel.
- Always ensure that the gas cylinder's mounting bracket is properly locked and secured in the Flex Seqr before it is used for transport to avoid risks of damage, of equipment falling, or to prevent injuries to patients or to EMS and clinical personnel.
- Always pay close attention **not to** wedge the tubing during the installation/removal of the mounting bracket and gas cylinder in/from the Flex Seqr. Refer to your established internal protocols for the safety guidelines and safe use with the gas cylinder.



CAUTION – Safe Working Load (SWL)/Load Balance

Do not overload the Flex Seqr to avoid tipping incidents or risks of collapsing. Refer to the « Technical Specifications » section on page 16 for the SWL specifications.



CAUTION – Follow the Instruction for Use

Always read and abide by the safety guidelines identified and follow the instructions provided in the user documentation of the Flex Sequor, the mounting bracket and the gas cylinder, as well as in your established internal protocols.

3. Technical Specifications



The content in this section is intended for personnel who have a proficient, expert or advanced level of competency. Refer to the « User Competency » section on page 5 if needed.

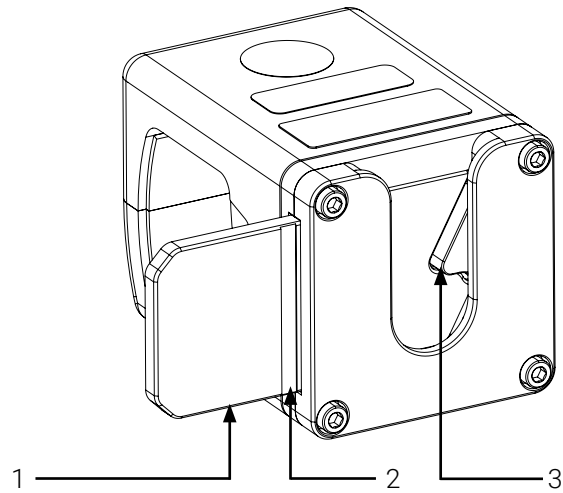
Product Name	<ul style="list-style-type: none"> - Flex Seqr Stretcher Side - Flex Seqr Vertical Mount - Flex Seqr Stretcher Foot End - Flex Seqr Stretcher Head End
Description	Mounting system designed to aid trained EMS and clinical personnel secure and transport a gas cylinder in a mounting bracket on a stretcher or on an ambulance wall or door
Product Code	<ul style="list-style-type: none"> - Flex Seqr Stretcher Side: 3420-10-PFXT-FQ-S - Flex Seqr Vertical Mount: 3410-10-FQ-WMA - Flex Seqr Stretcher Foot End 3420-30-PFXT-FQ-BP - Flex Seqr Stretcher Head End: 3420-20-PFXT-FQ-FP
Operating Environment	EMS/CCT (ground)
Compliance	Tested in compliance with SAE J3043 & AMD-028
Expected Service Life	5 years
Compatible Stretcher	Stryker Power-PRO XT
Compatible Mounting System	N/A
Compatible Medical Devices/ Accessories	<ul style="list-style-type: none"> - Techni-O2 mounting bracket - Techni-INO mounting bracket
Dimensions (W X D X H)	<ul style="list-style-type: none"> - Flex Seqr mounting systems: <ul style="list-style-type: none"> - Flex Seqr Stretcher Side: 109.22 mm X 76.2 mm X 63.5 mm (4.3 in. X 3 in. X 2.5 in.) - Flex Seqr Vertical Mount: 152.4 mm X 139.7 mm X 27.94 mm (6 in. X 5.5 in. X 1.1 in.) - Flex Seqr Stretcher Foot End: 226.06 mm X 111.76 mm X 93.98 mm (8.9 in. X 4.4 in. X 3.7 in.) - Flex Seqr Stretcher Head End: 225.55 mm X 117.6 mm X 88.9 mm (8.88 in. X 4.63 in. X 3.5 in.) - Optional Accessory: <ul style="list-style-type: none"> - Flex Seqr protector: 83.06 mm X 83.06 mm X 22.35 mm (3.27 in. X 3.27 in. X 0.88 in.)

Weight	<ul style="list-style-type: none"> - Flex Seqr mounting systems: <ul style="list-style-type: none"> - Flex Seqr Stretcher Side: 0.78 kg (2.2 lb) - Flex Seqr Vertical Mount: 0.5 kg (1.6 lb) - Flex Seqr Stretcher Foot End: 0.73 kg (2.1 lb) - Flex Seqr Stretcher Head End: 0.7 kg (2 lb) - Optional Accessory: <ul style="list-style-type: none"> - Flex Seqr protector: 0.06 kg (0.13 lb)
Composition	<ul style="list-style-type: none"> - Flex Seqr mounting systems: <ul style="list-style-type: none"> - Flex Seqr Stretcher Side: Aluminum - Flex Seqr Vertical Mount: Aluminum - Flex Seqr Stretcher Foot End: Aluminum - Flex Seqr Stretcher Head End: Aluminum - Optional Accessory: <ul style="list-style-type: none"> - Flex Seqr protector: Plastic
Total Safe Working Load (SWL)	<ul style="list-style-type: none"> - Flex Seqr Stretcher Side: 11.34 kg (25 lb) - Flex Seqr Vertical Mount: 11.34 kg (25 lb) - Flex Seqr Stretcher Foot End: 11.34 kg (25 lb) - Flex Seqr Stretcher Head End: 11.34 kg (25 lb)
Operating Temperature	- 35° C to 45° C (- 31° F to 113° F)
Tested and Approved Cleaning Solutions	<ul style="list-style-type: none"> - Oxivir, 5% Hydrogen Peroxide with Peracetic Acid (AHP) - Lavo 12, 10 000 ppm Sodium Hypochlorite - TNT-100, 5% Quaternary Ammonium Compound - Spectro-Sept, 5% Ethyl Alcohol - Spectrol, 5% EDTA salt
Options	Flex Seqr protector: 3400-11-FQ

4. Flex Seqr Illustrated Parts

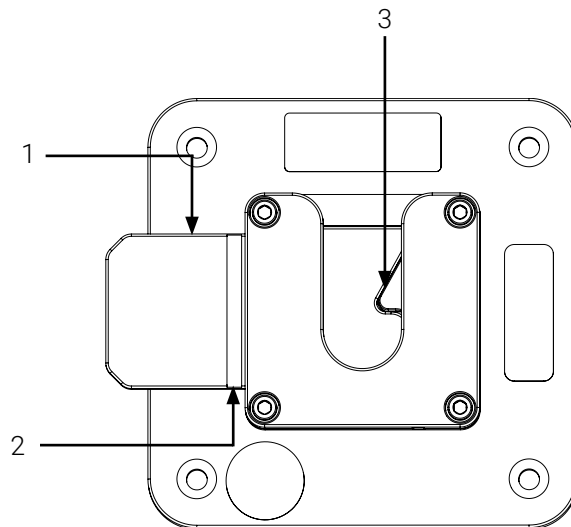


The content in this section is intended for personnel who have a proficient, expert or advanced level of competency. Refer to the « User Competency » section on page 5 if needed.



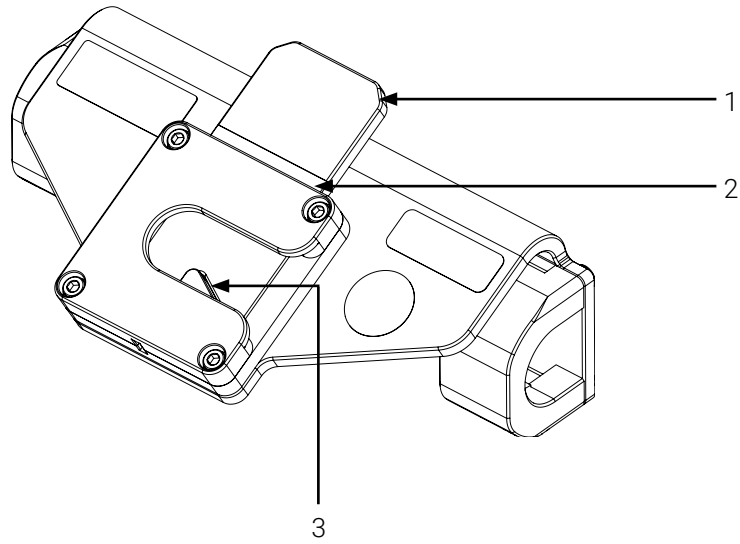
- | | |
|--------------------------|----------|
| 1. Quick release button | 3. Latch |
| 2. Lock/unlock indicator | |

Figure 9: Components of the Flex Seqr Stretcher Side



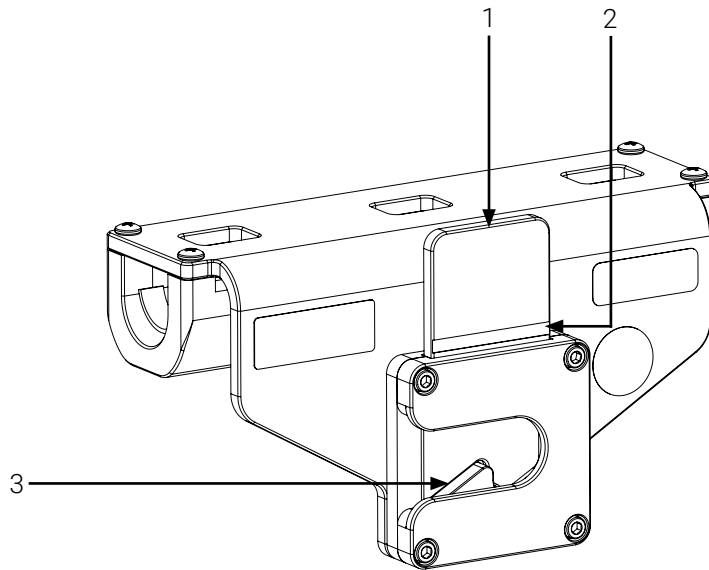
- | | |
|--------------------------|----------|
| 1. Quick release button | 3. Latch |
| 2. Lock/unlock indicator | |

Figure 10: Components of the Flex Seqr Vertical Mount



- 1. Quick release button
- 2. Lock/unlock indicator
- 3. Latch

Figure 11: Components of the Flex Seqr Stretcher Foot End



- 1. Quick release button
- 2. Lock/unlock indicator
- 3. Latch

Figure 12: Components of the Flex Seqr Stretcher Head End

5. Flex Seqr Illustrated Specifications



The content in this section is intended for personnel who have a proficient, expert or advanced level of competency. Refer to the « User Competency » section on page 5 if needed.

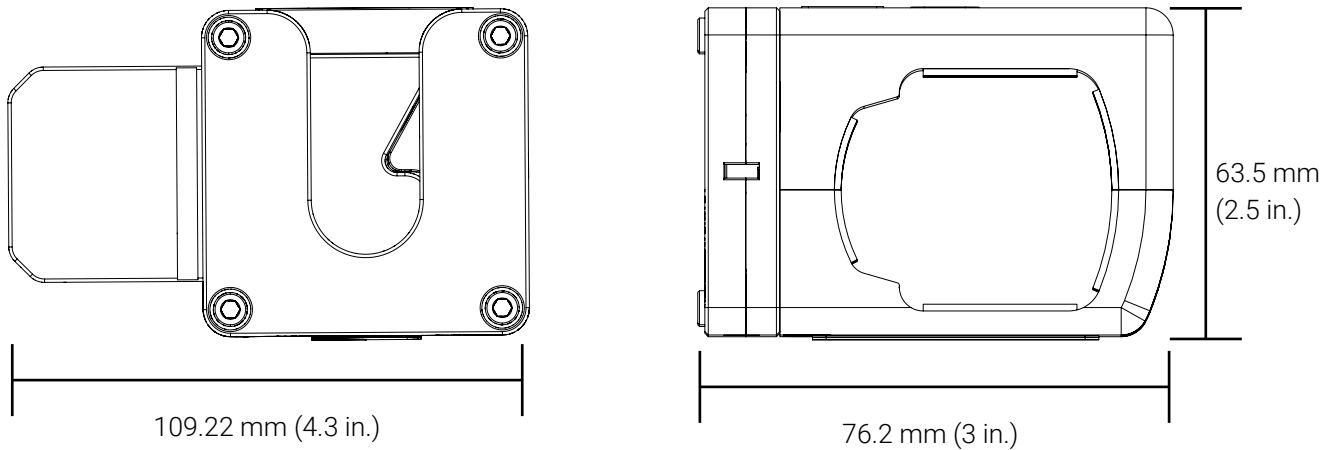


Figure 13: Illustrated specifications of the Flex Seqr Stretcher Side

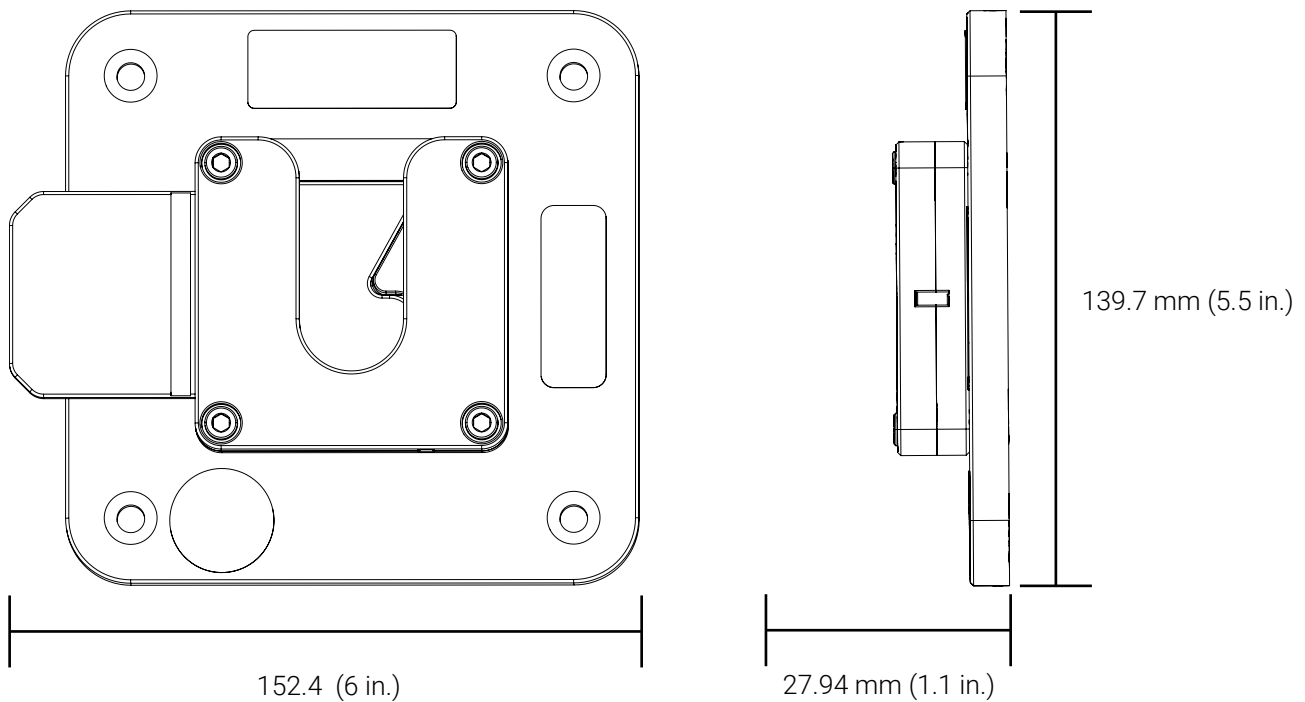


Figure 14: Illustrated specifications of the Flex Seqr Vertical Mount

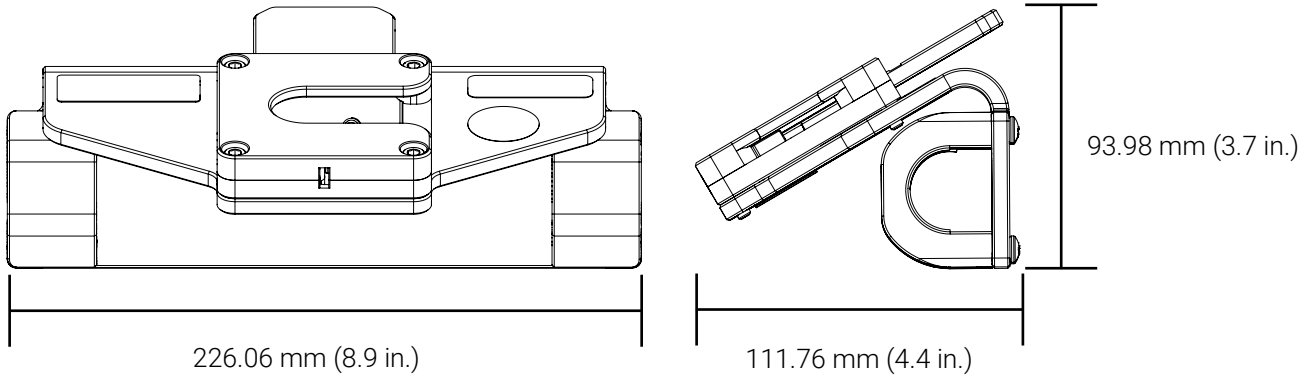


Figure 15: Illustrated specifications of the Flex Seqr Stretcher Foot End

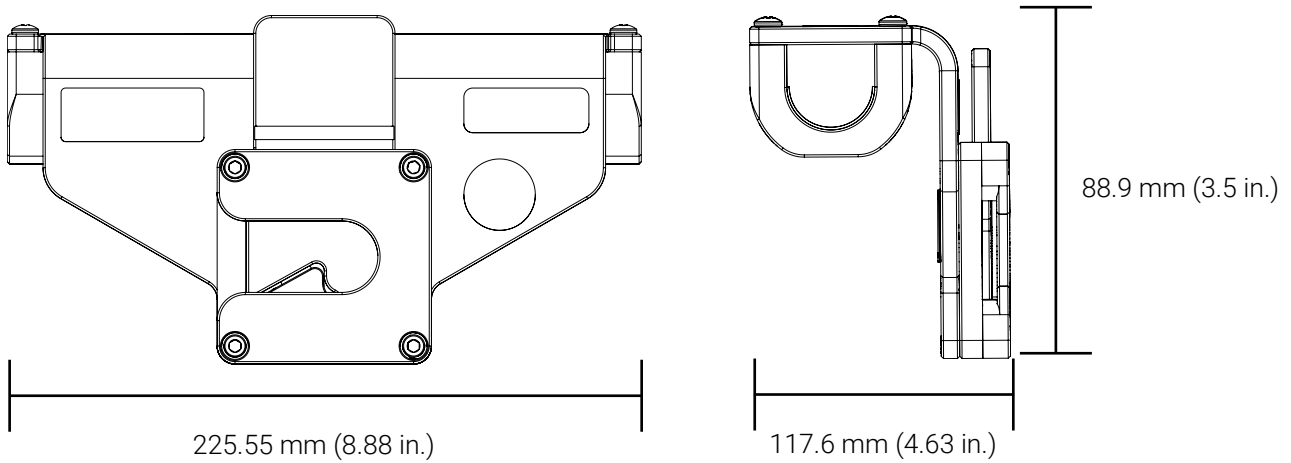


Figure 16: Illustrated specifications of the Flex Seqr Stretcher Head End

6. Flex Seqr Illustrated Compatible Installation Positions



The content in this section is intended for personnel who have a proficient, expert or advanced level of competency. Refer to the « User Competency » section on page 5 if needed.

6.1. Compatible Installations on the Lateral Frame of the Stretcher

Installations on the lateral frame of a stretcher require using a Flex Seqr Stretcher Side. The position of the quick release button of your mounting system, and the direction of the installation of the mounting bracket and gas cylinder, will depend on the orientation of the mounting clip of your Flex Seqr mounting system and your user needs (Figure 17 and Figure 18).

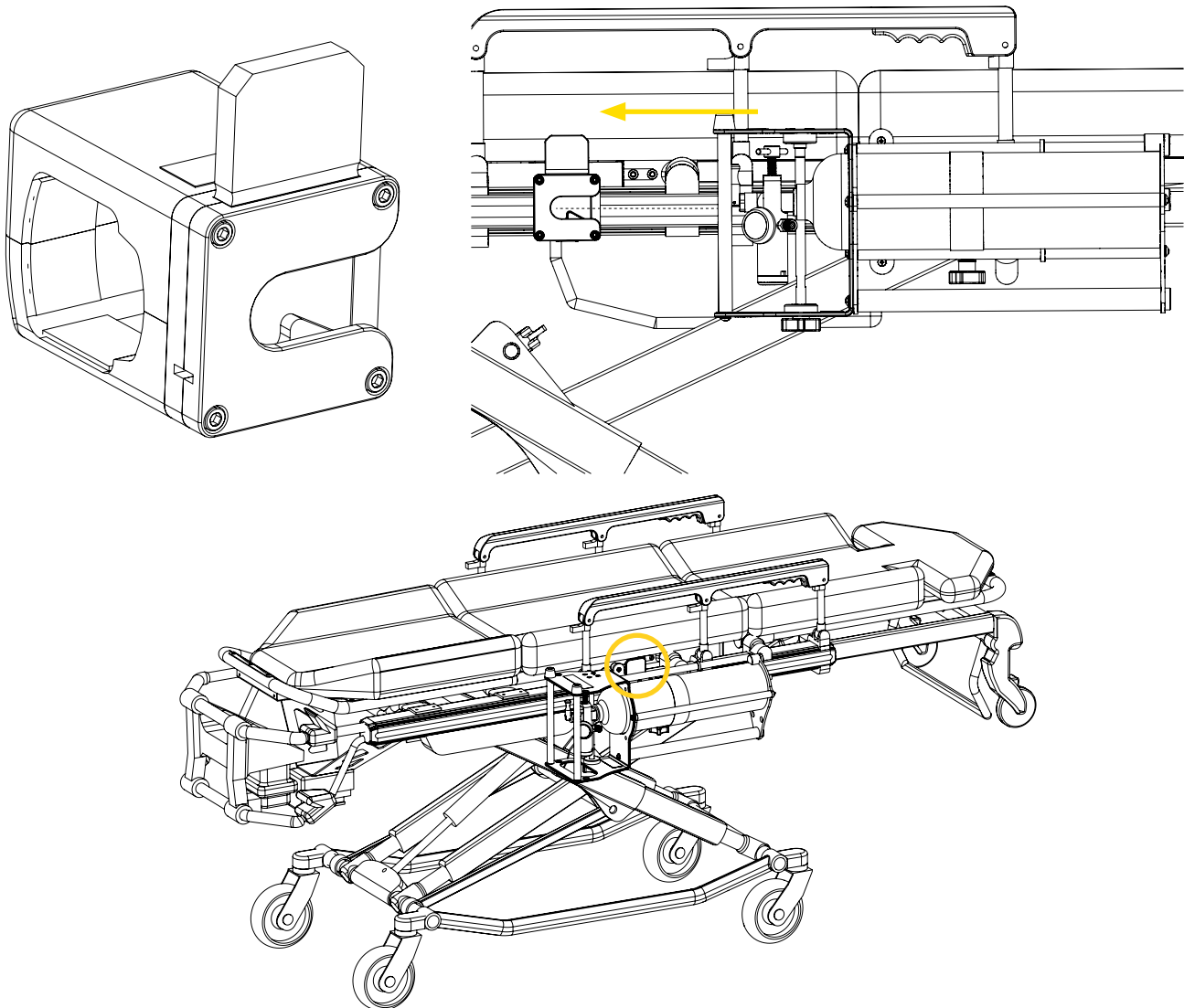


Figure 17: Quick release button upwards – bracket installed by the right and towards the left on the lateral frame of the stretcher

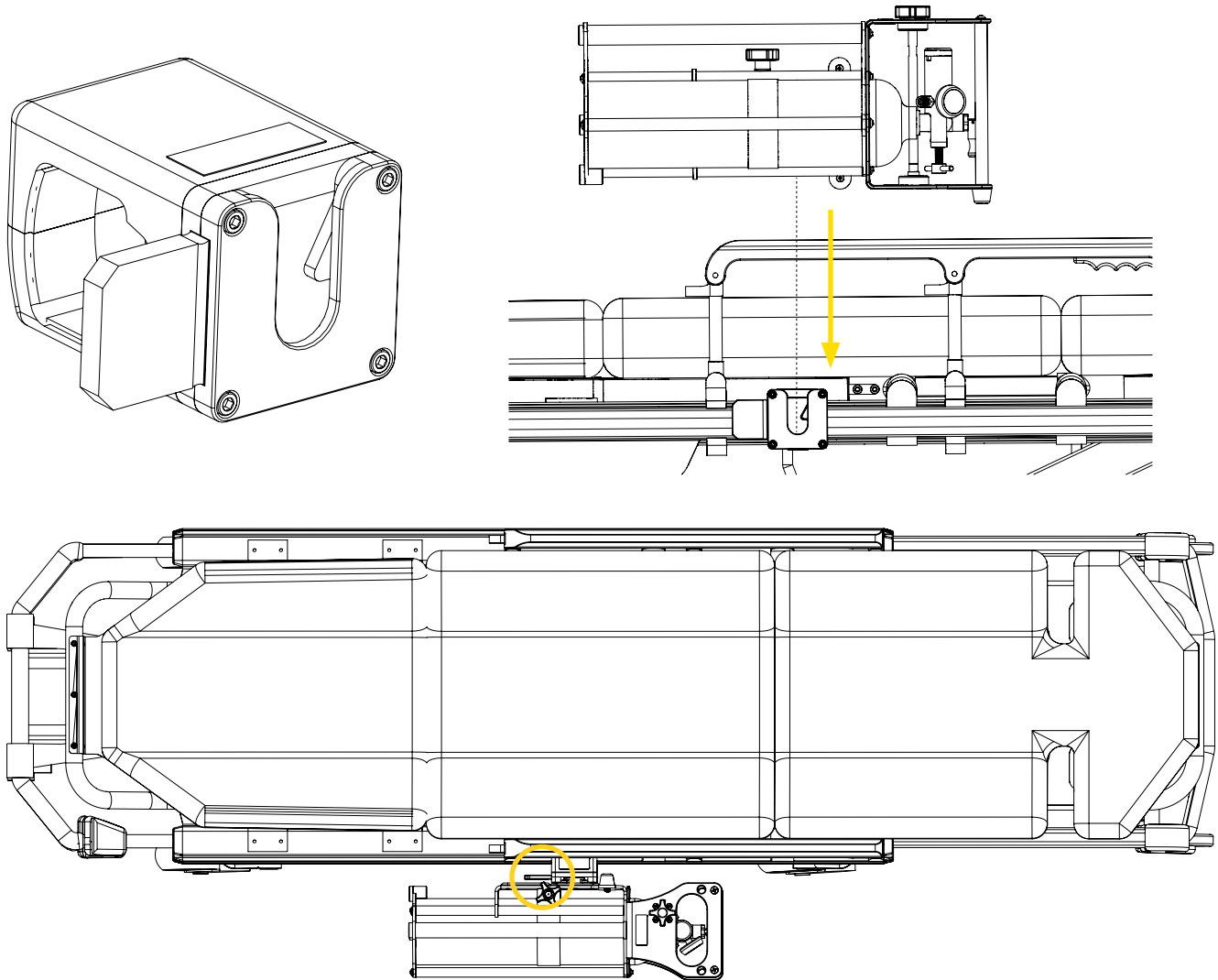


Figure 18: Quick release button towards the left – bracket installed by the top and downwards on the lateral frame of the stretcher

6.2. Compatible Installations on a Vertical Surface

Installations on vertical surfaces require using a Flex Seqr Vertical Mount. The Flex Seqr Vertical Mount is preinstalled in factory, however the position of the quick release button of your mounting system, and the direction of the installation of the mounting bracket and gas cylinder, will depend on the orientation of the mounting clip of your Flex Seqr mounting system and your user needs (Figure 19, Figure 20 and Figure 21).

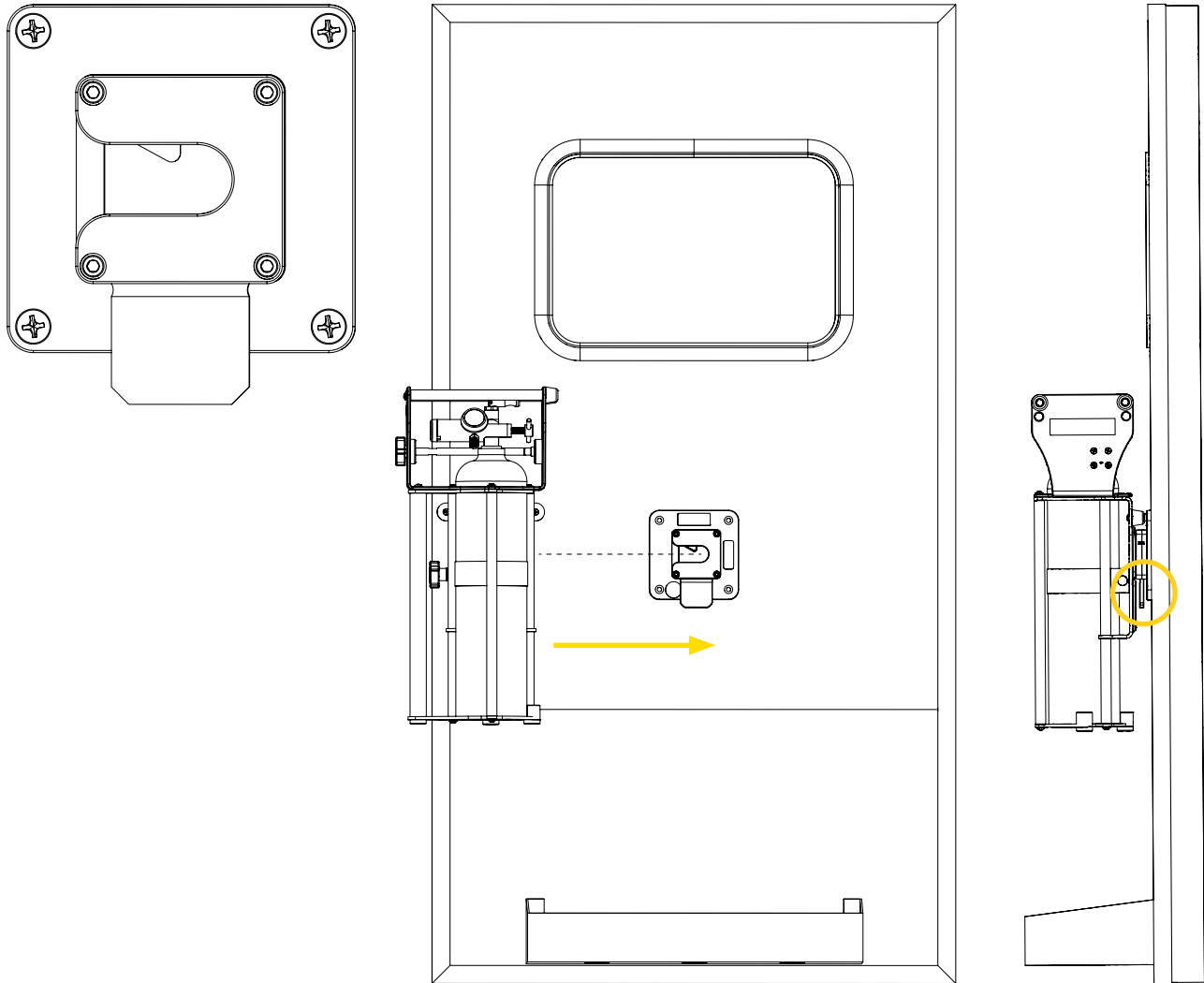


Figure 19: Quick release button downwards – bracket installed by the left and towards the right on the vertical surface

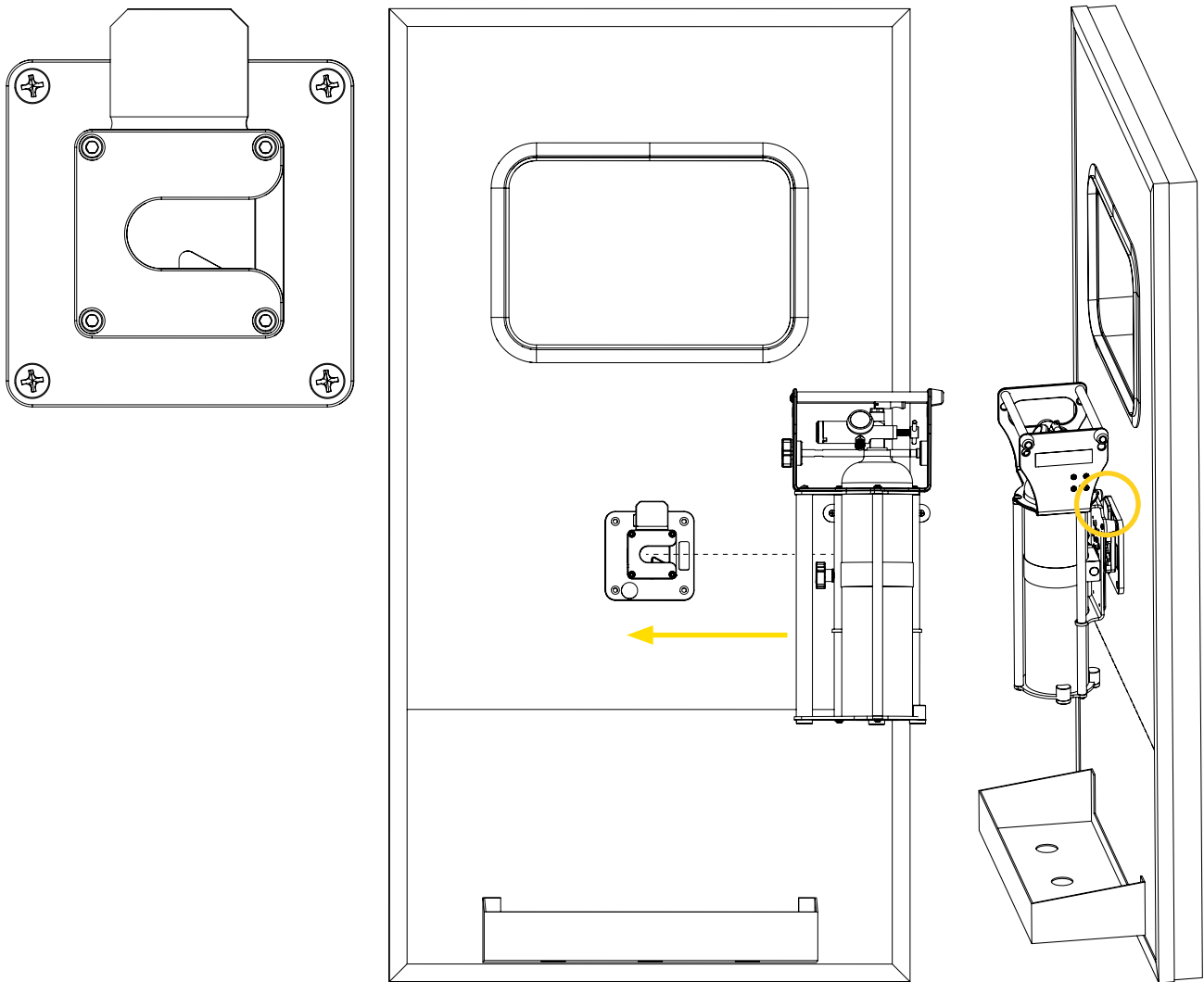


Figure 20: Quick release button upwards – bracket installed by the right and towards the left on the vertical surface

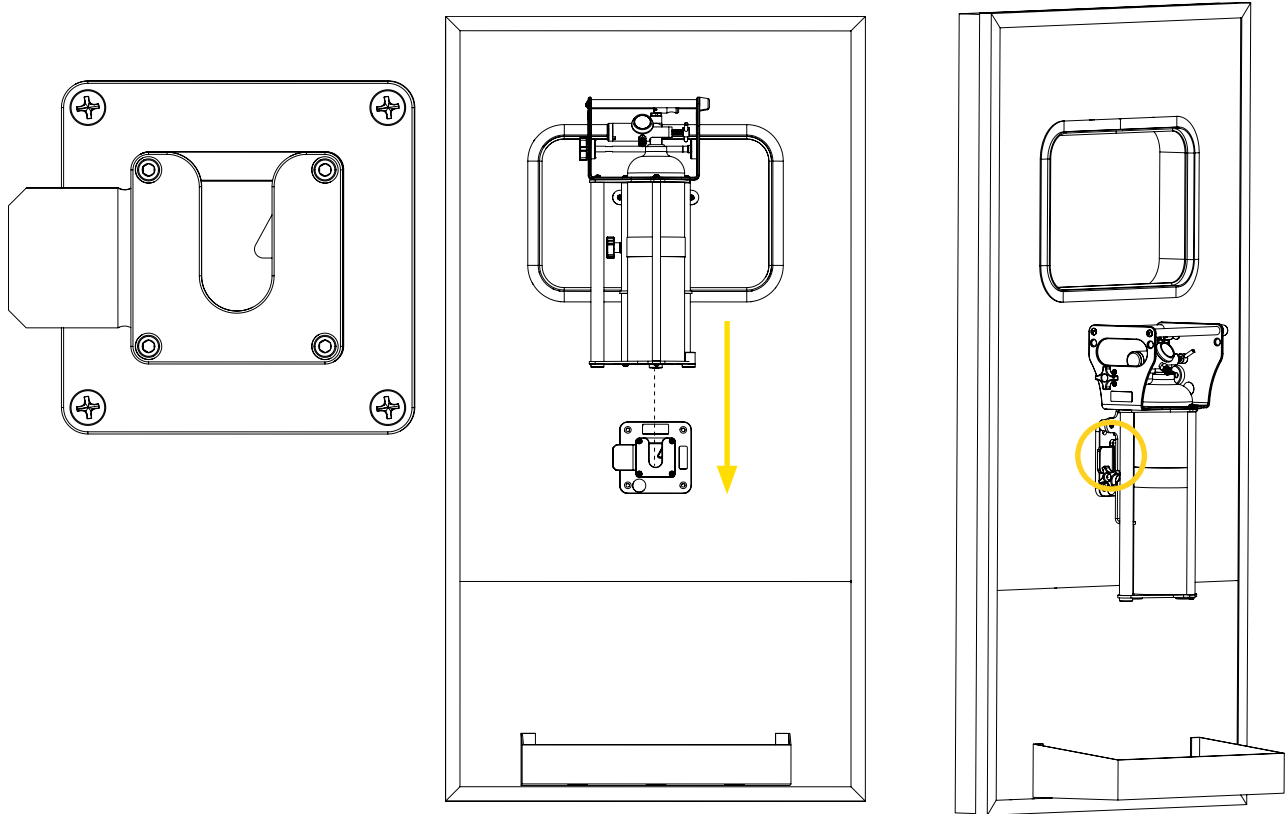


Figure 21: Quick release button towards the left – bracket installed by the top and downwards on the vertical surface

6.3. Compatible Installation at Patient Foot End of the Stretcher

Installations at patient foot end of the stretcher require using a Flex Sequor Stretcher Foot End. The Flex Sequor Stretcher Foot End is preinstalled in factory, and can only be installed on the stretcher one (1) way (Figure 22).

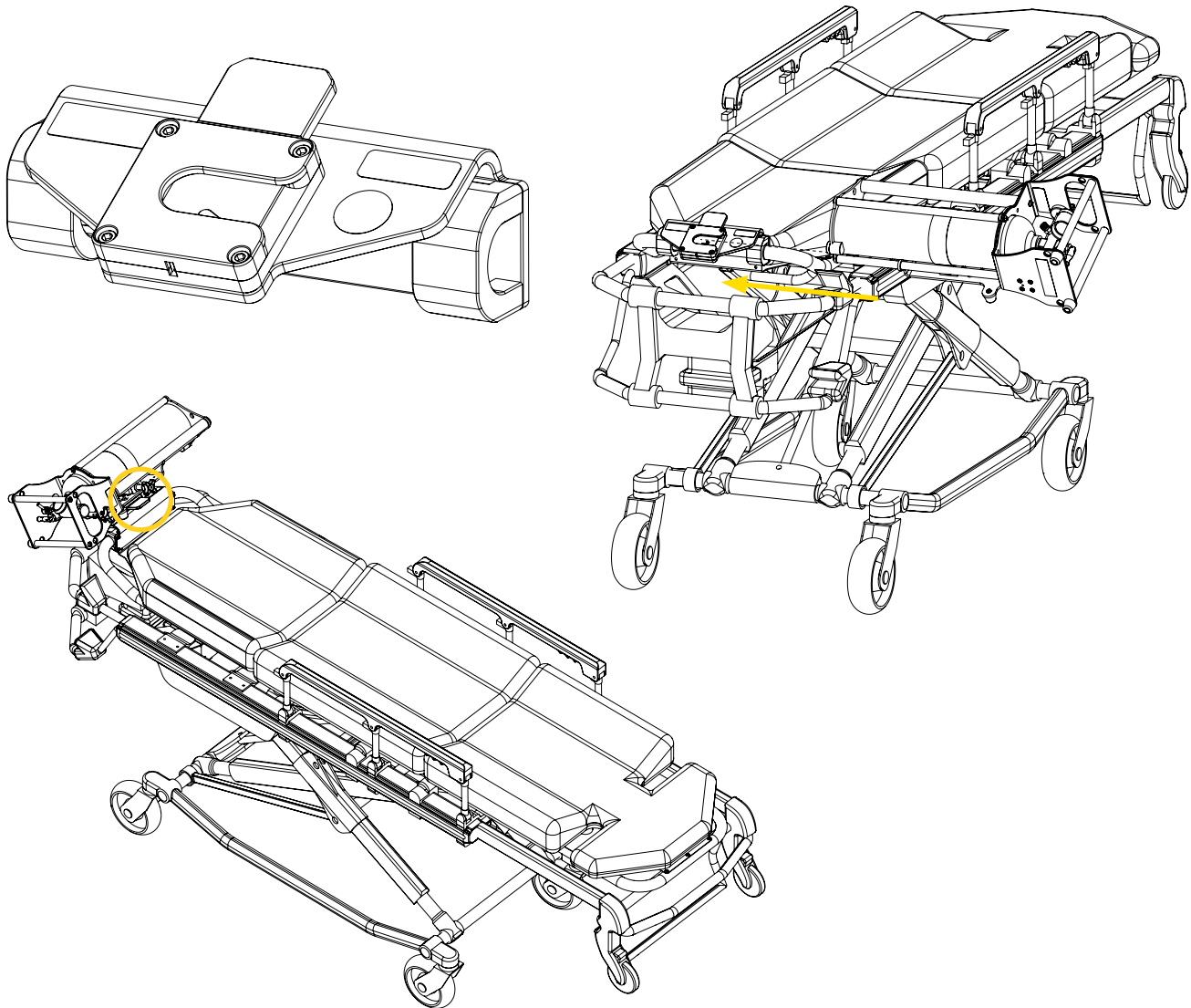


Figure 22: Quick release button upwards – bracket installed by the left and towards the right at patient foot end of the stretcher

6.4. Compatible Installation at Patient Head end of the Stretcher

Installations at patient head end of the stretcher require using a Flex Sequor Stretcher Head End. The Flex Sequor Stretcher Head End is preinstalled in factory, and can only be installed on the stretcher one (1) way (Figure 23).

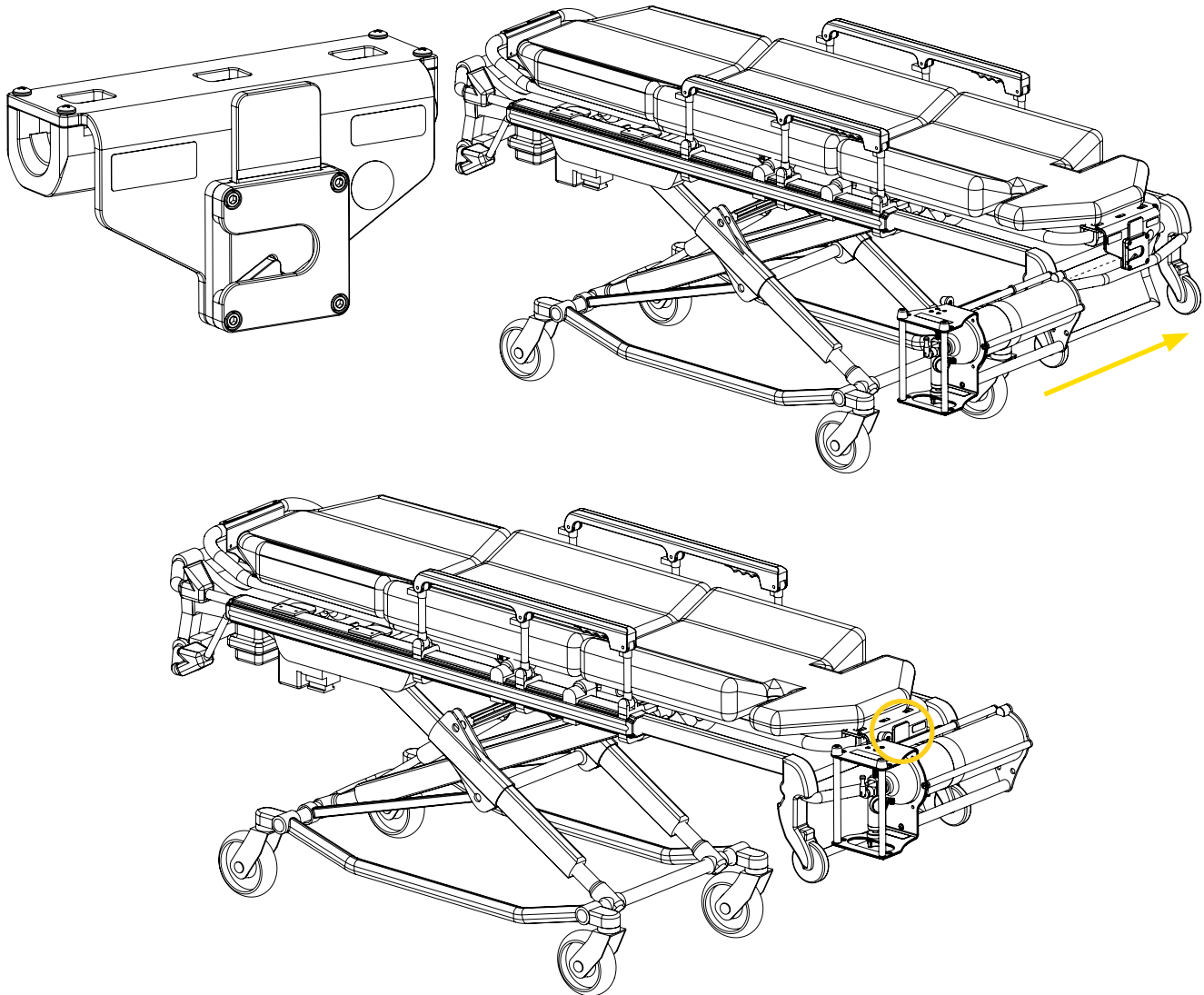


Figure 23: Quick release button upwards – bracket installed by the left and towards the right at patient head end of the stretcher

7. Operate the Flex Seqr Mounting Systems



The content in this section is intended for personnel who have a proficient, expert or advanced level of competency. Refer to the « User Competency » section on page 5 if needed.

NOTE : The herein illustrated operating, installation and removal steps of the mounting bracket are for comprehension purposes, and apply to all the Flex Seqr mounting systems and compatible mounting clip positions. To change the direction in which the mounting bracket is installed, change the orientation of the mounting clip located behind the bracket. Refer to the mounting bracket user manual for the installation and/or operating instructions, the safety guidelines and safe use of your bracket.

7.1. Install the Mounting Bracket in the Flex Seqr Mounting System

1. Ensure that the gas cylinder is correctly installed and secured in the mounting bracket. Refer to the operating instructions, the safety guidelines and safe use of your bracket.
2. Align and insert the mounting clip of the mounting bracket in the Flex Seqr, paying attention not to wedge the tubing, until you hear a click sound and you can see the lock/unlock indicator on the quick release button (Figure 24). Refer to your mounting bracket user manual for more operating instructions, the safety guidelines and safe use with the Flex Seqr.

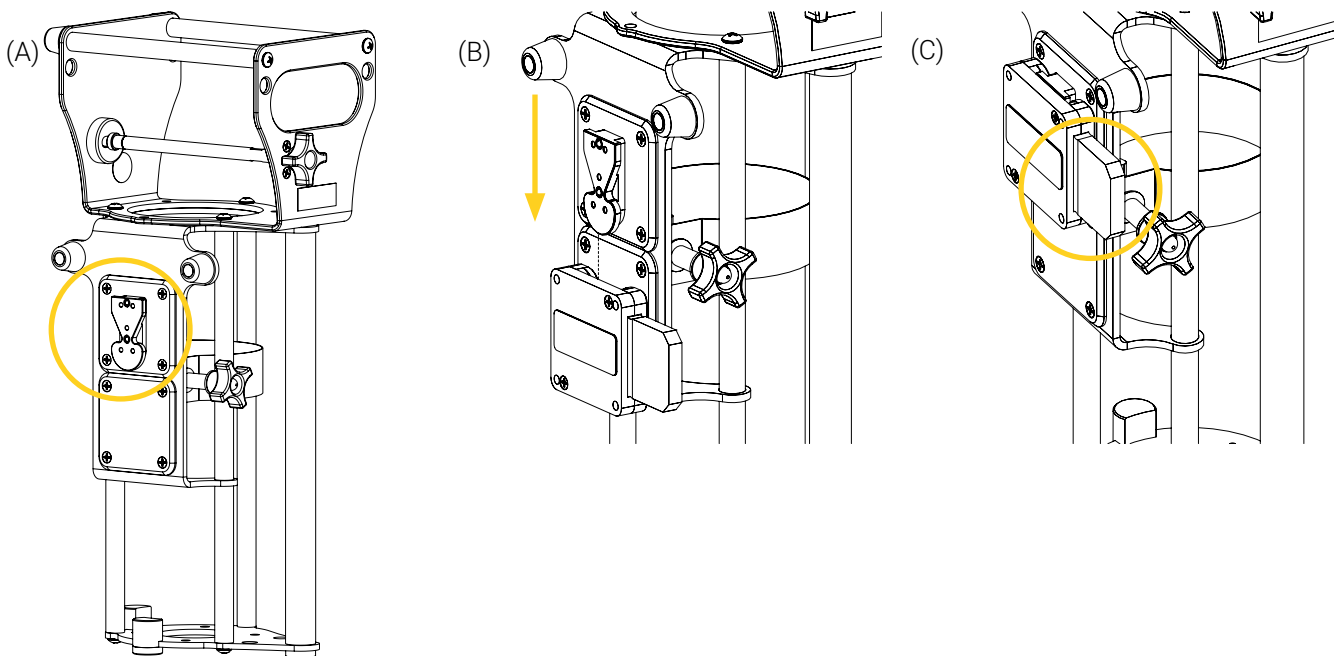


Figure 24: Installing the mounting bracket in the Flex Seqr

3. Move the mounting bracket up and down and/or from side to side (depends on the mounting clip position) a few times to ensure that it is properly secured on the mounting system. If the bracket does not move after the verification, it is properly secured.

The installation of the mounting bracket in the Flex Seqr is complete.

7.2. Remove the Mounting Bracket from the Flex Sequir

1. Press and hold the quick release button of the Flex Sequir, then pull the mounting bracket vertically (Figure 25) or horizontally (depends on the mounting clip position) out of the mounting system, paying attention not to wedge the tubing.

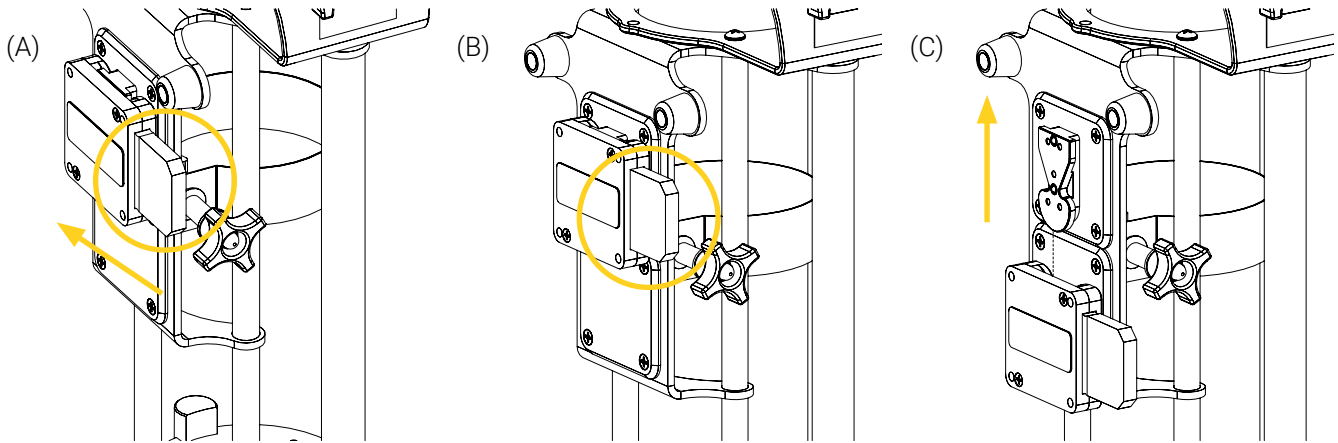


Figure 25: Removing the mounting bracket from the Flex Sequir

2. Momentarily place the mounting bracket on the floor horizontally, or immediately place it in its dedicated storage space. Refer to your established internal protocols, and the gas cylinder user documentation for the safety guidelines and safe use if needed.

The removal of the mounting bracket from the Flex Sequir is complete.

8. Operate the Optional Accessories



The content in this section is intended for personnel who have a proficient, expert or advanced level of competency. Refer to the « User Competency » section on page 5 if needed.

8.1. Install the Flex Seqr Protector

Slide the Flex Seqr protector over the locking mechanism from the top (Figure 26), ensuring to install the it in the correct orientation.

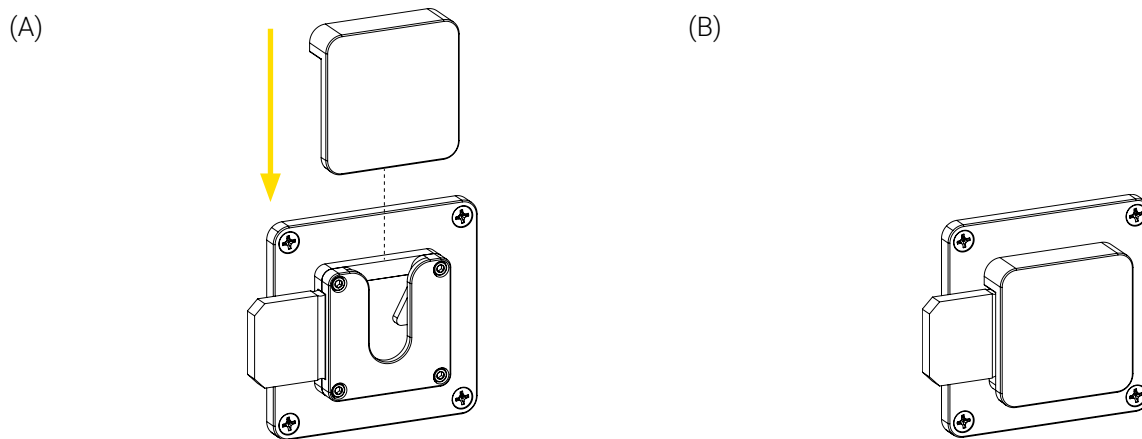


Figure 26: Installing the Flex Seqr protector

The installation of the Flex Seqr protector is complete.

8.2. Remove the Flex Seqr Protector

Press and hold the quick release button of the Flex Seqr, then slide the Flex Seqr protector upwards to remove it (Figure 27), then set it aside or place it in its dedicated storage space. Refer to your established internal protocols if needed.

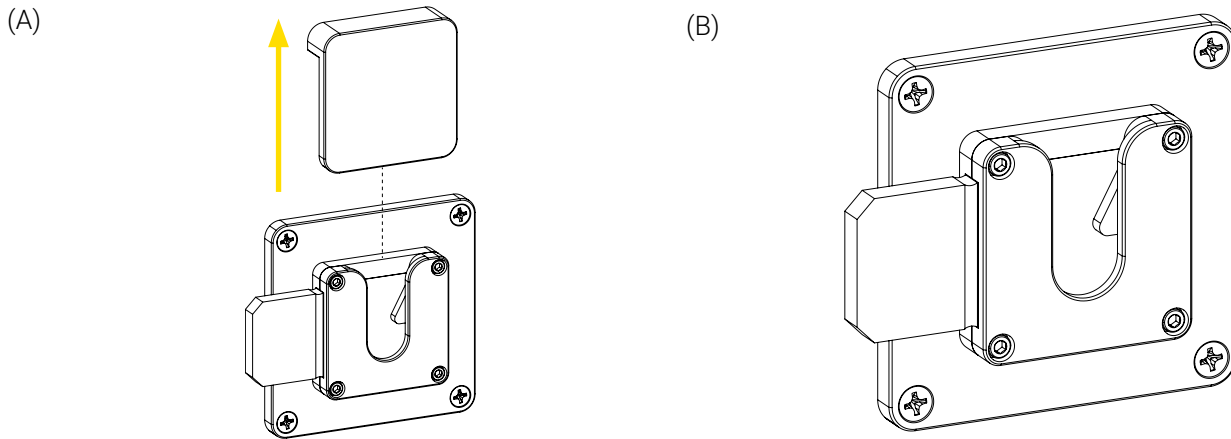


Figure 27: Removing the Flex Seqr protector

The removal of the Flex Seqr protector is complete.

Annex I EMS and clinical personnel Skills Assessment



The content in this section is intended for personnel who have an expert level of competency. Refer to the « User Competency » section on page 5 if needed.

Following training, a skills assessment should be given to each member of the EMS and clinical personnel to ensure they have fully comprehended the labelling, warnings and cautions, potential risks, safe practices and proper operating procedures needed to safely and effectively use the Flex Seqr. Consider adding the following to your internal training protocols.

Trainee name: _____ Unit: _____

Assessor name: _____ Date: _____

EMS AND CLINICAL PERSONNEL SKILLS ASSESSMENT

SKILL CRITERIA

PASSED
FAILED

Labels

- Able to identify meaning and potential risks associated with the different safety labels:

- Safe Working Load (SWL)

Safety Measures

- Knows to always use the Flex Seqr as it was intended, using only the compatible mounting brackets and gas cylinders.

- Knows to always pay close attention to the condition of the locking mechanism of the Flex Seqr.

- Knows to always ensure that the locking mechanism of the Flex Seqr is functional before it is used for transport.

- Knows to always ensure that the gas cylinder's mounting bracket is properly locked and secured on the Flex Seqr before it is used for transport.

- Knows to always pay close attention not to wedge the tubing during the installation/removal of the mounting bracket and gas cylinder in/from the Flex Seqr, and to refer to their established internal protocols for the safety guidelines and safe use with the gas cylinder.

- Knows **not to** overload the Flex Seqr.

- Knows to always read and abide by the safety guidelines identified and follow the instructions provided in the user documentation of the Flex Seqr, the mounting bracket(s) and the medical device(s), as well as in their established internal protocols.

EMS AND CLINICAL PERSONNEL SKILLS ASSESSMENT
SKILL CRITERIA
PASSED
FAILED
Operation

- Able to install/remove the mounting bracket in/from the Flex Sequor.
- Able to install/remove the optional accessories on/from the Flex Sequor.
- Has practiced safely operating the Flex Sequor, has perfected the manipulations and has acquired the required skill level to safely use with patient.

Annex II Unpack the Flex Seqr Mounting System



The content in this section is intended for personnel who have an advanced level of competency. Refer to the « User Competency » section on page 5 if needed.

1. Inspect the shipping box(es) for signs of damage before accepting shipment. Take pictures and report them promptly if applicable.
2. Move the shipping box(es) to the location of the installation.
3. Open the shipping box(es).
4. Unpack the box(es) and ensure that all shipping and packaging materials have been properly removed, prior to installation.

NOTE : Keep all packaging material for future use.

5. Identify the items included in the shipping boxes, then set them aside. Refer to the « Install the Flex Seqr Mounting System » section on page 37 for the required parts.
6. Inspect the items for signs of damage. Take pictures and report them promptly if applicable.

Annex III Install the Flex Sequir Mounting System




The content in this section is intended for personnel who have an advanced level of competency. Refer to the « User Competency » section on page 5 if needed.

NOTE : Foresee a 76.2 mm (3 in.) clearance around the perimeter of your Flex Sequir mounting system, to provide sufficient space for the installation and/or the removal of the mounting bracket and gas cylinder.

Required Installation Time

10 minutes

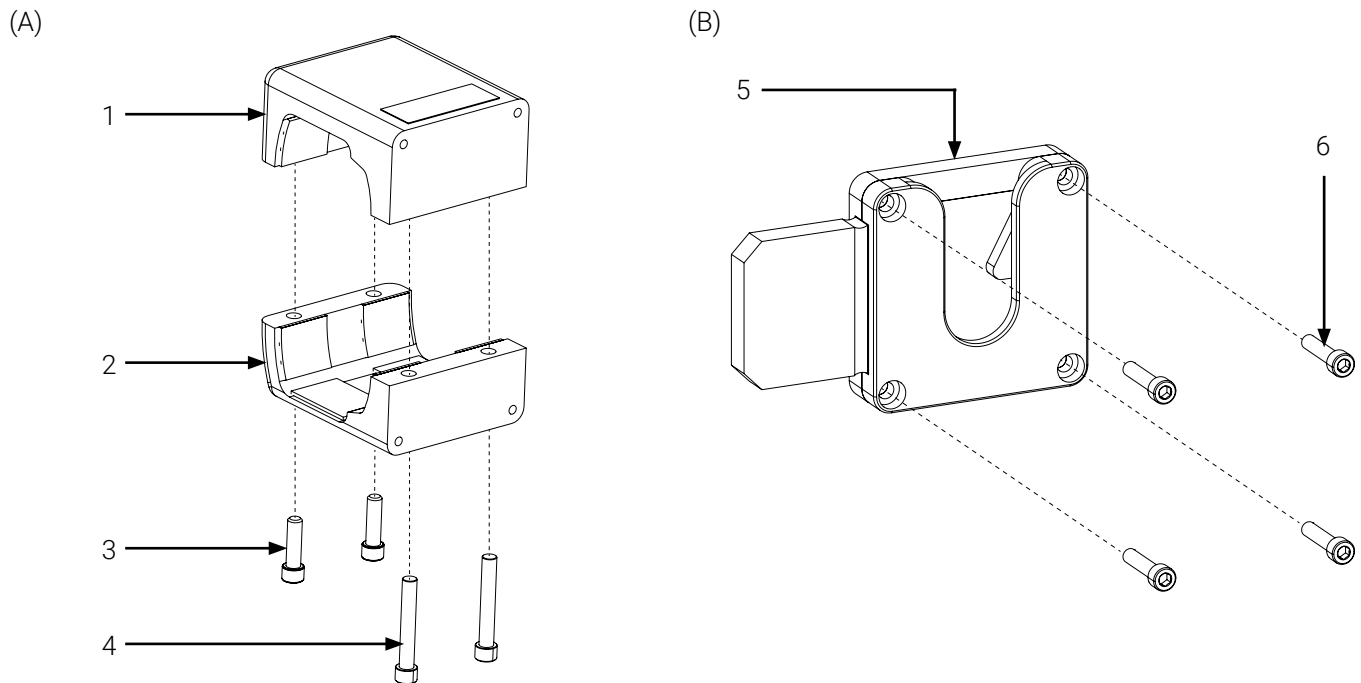
Required Tools

- $\frac{3}{16}$ in. hex key
- $\frac{5}{32}$ in. hex key
- Phillips #2 screwdriver
- Torque wrench (up to 150 in.-lb)
- Medium strength thread lock adhesive ()
- Drilling template for the for the installation of the Flex Sequir Vertical Mount

TIP! Although using a drilling template is not mandatory, it facilitates the installation. Print to the « Flex Sequir Vertical Mount Drilling Template (Print to Scale) » section on page 57 if needed.

Install the Flex Sequor Stretcher Side on the Lateral Frame of the Stretcher

1. Apply the brakes of the stretcher and remove the mattress to facilitate the installation of the Flex Sequor mounting system. Refer to your established internal protocols if needed.
2. Identify the Flex Sequor Stretcher Side assembly parts (Figure 28).



- | | |
|--|--|
| 1. Top part of the PPXT FQS Clamp Block | 4. 1/4-20 x 1 5/8 in. socket head screw (2X) |
| 2. Bottom part of the PPXT FQS Clamp Block | 5. Flex Sequor locking mechanism |
| 3. 1/4-20 x 7/8 in. socket head screw (2X) | 6. 10-32 x 1 in. socket head screw (4X) |

Figure 28: Flex Sequor Stretcher Side assembly parts

3. Unscrew the four (4) screws of the clamp block to separate it into two (2) parts using a 3/16 in. hex key.

- Place the top part of the clamp block over the lateral frame of the stretcher and the bottom part of the clamp block under the frame, then align and partially tighten two (2) $\frac{1}{4}$ -20 in. X $\frac{7}{8}$ in. socket head screws in the screw holes located towards the inside of the stretcher frame and two (2) $\frac{1}{4}$ -20 in. X $1\frac{5}{8}$ in. socket head screws in the screw holes located towards the outside of the stretcher frame coated with medium strength thread lock adhesive, using a $\frac{3}{16}$ in. hex key (Figure 29).

NOTE : Ensure that the position chosen for the clamp block installation will not limit access to the locking mechanism, or interfere with the operating environment.

- Tighten all four (4) screws to 142 in.-lb using a torque wrench.

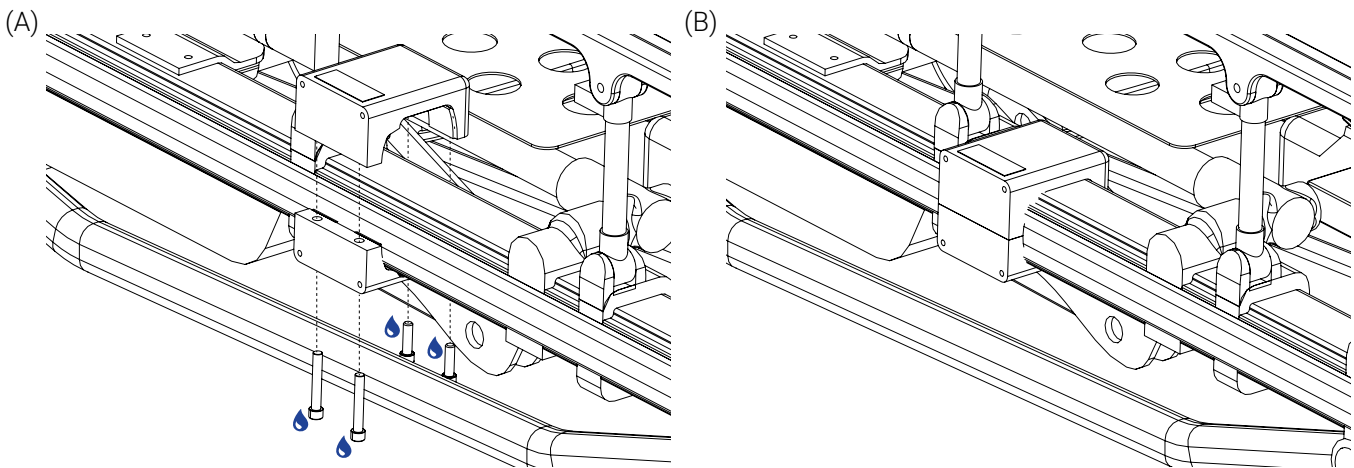


Figure 29: Installing the Flex Seqr Stretcher Side on the lateral frame of the stretcher

- Move the clamp block left to right a few times to ensure it is properly secured on the stretcher frame. If the clamp block does not move after the verification, it is properly secured.
- Place the Flex Seqr locking mechanism on the clamp block, then partially tighten four (4) 10-32 in. X 1 in. socket head screws coated with medium strength thread lock adhesive, using a $\frac{5}{32}$ in. hex key (Figure 30).
- Tighten all four (4) screws to 68 in.-lb using a torque wrench.

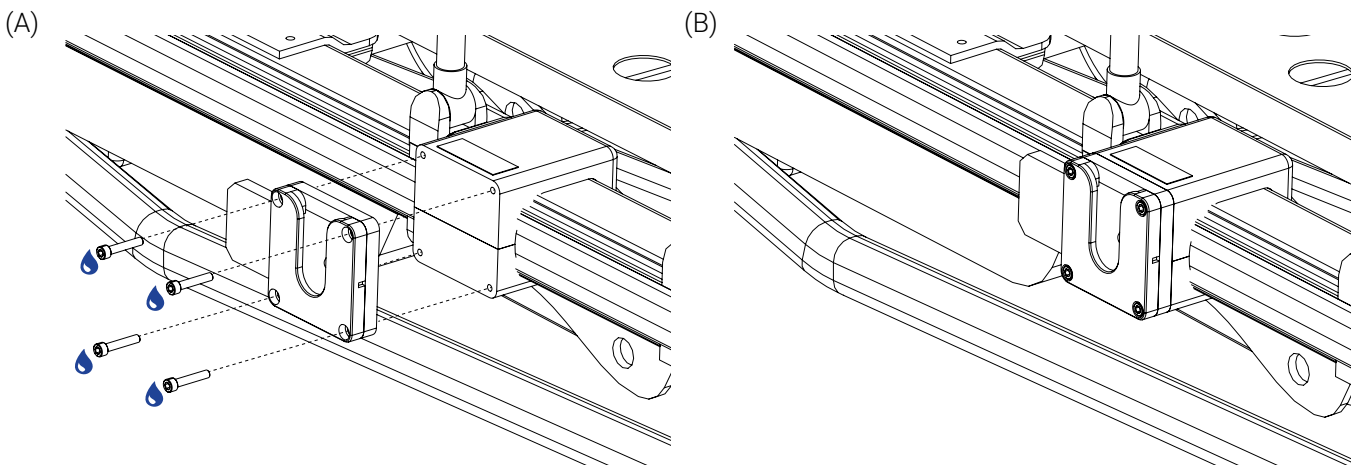


Figure 30: Installing the Flex Seqr locking mechanism on the Flex Seqr Stretcher Side

9. Move the Flex Seqr locking mechanism up and down and from side to side a few times to ensure that it is properly secured on the Flex Seqr Stretcher Side. If it does not move after the verification, it is properly secured.

The installation of the Flex Seqr Stretcher Side on the lateral frame of the stretcher is complete.

Install the Flex Seqr Vertical Mount on a Vertical Surface

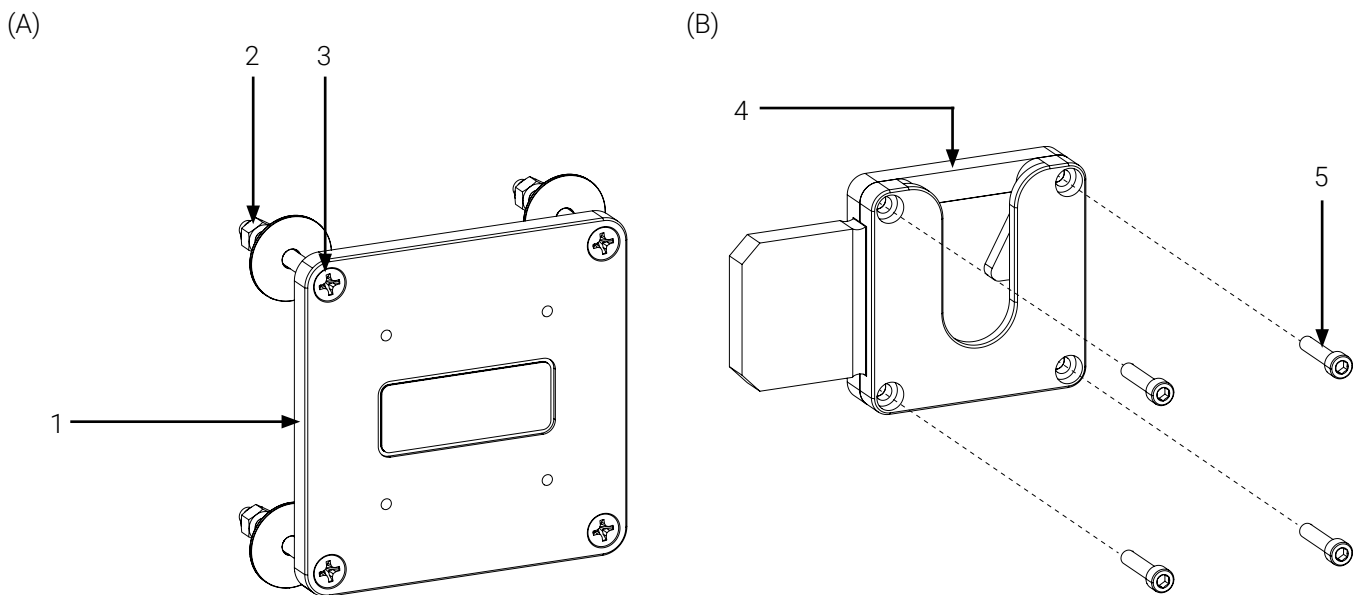


WARNING – Risk of Injury

Always ensure that the wall or door in the ambulance can withstand the weight of the Flex Seqr Vertical Mount, with the mounting bracket and the gas cylinder before the mounting system is installed, to prevent undue risks to the system, to patients, or to EMS and clinical personnel in the case of a single crash impact. Under no circumstances will Technimount be held liable hereunder for incidental or consequential damages arising from a non-conforming installation. Refer to the « Technical Specifications » section on page 16 for the requirements, and to the user documentation of the ambulance for the safety guidelines and installation instructions.

1. Identify the Flex Seqr Vertical Mount assembly parts (Figure 31).

NOTE : The screws and nuts for the installation of the Flex Seqr Vertical Mount are user-provided and their length will depend on the chosen installation surface. Illustrations in this section are for user comprehension purposes.



- | | |
|--|---|
| 1. VMFQ Vertical Mount | 4. Flex Seqr locking mechanism |
| 2. 1/4 in.-20 thread size locknut (4X) | 5. 10-32 x 1 in. socket head screw (4X) |
| 3. 82 degree angle, 1/4 in.-20 thread size flat countersunk screw (4X) | |

Figure 31: Flex Seqr Vertical Mount assembly parts

2. Ensure that the chosen surface meets the installation requirements. Refer to the « Safety Measures » section on page 14 and the « Technical Specifications » section on page 16 if needed.
3. Drill four (4) 4.25 in. holes with a diameter of 0.266 in. in the installation surface using the appropriate tool and the drilling template.
4. Place and align the VMFQ Vertical Mount with the drill holes, then partially tighten four (4) 82 degree angle, 1/4 in.-20 thread size flat countersunk screws coated with medium strength thread lock adhesive and four (4) 1/4 in.-20 thread size locknuts using an appropriate tool (Figure 32).

NOTE : Ensure that the length of your chosen screws is appropriate for the installation surface and can hold the total Safe Working Load (SWL). Refer to « Technical Specifications » section on page 16 if needed.

5. Tighten all four (4) screws and four (4) locknuts using an appropriate tool.

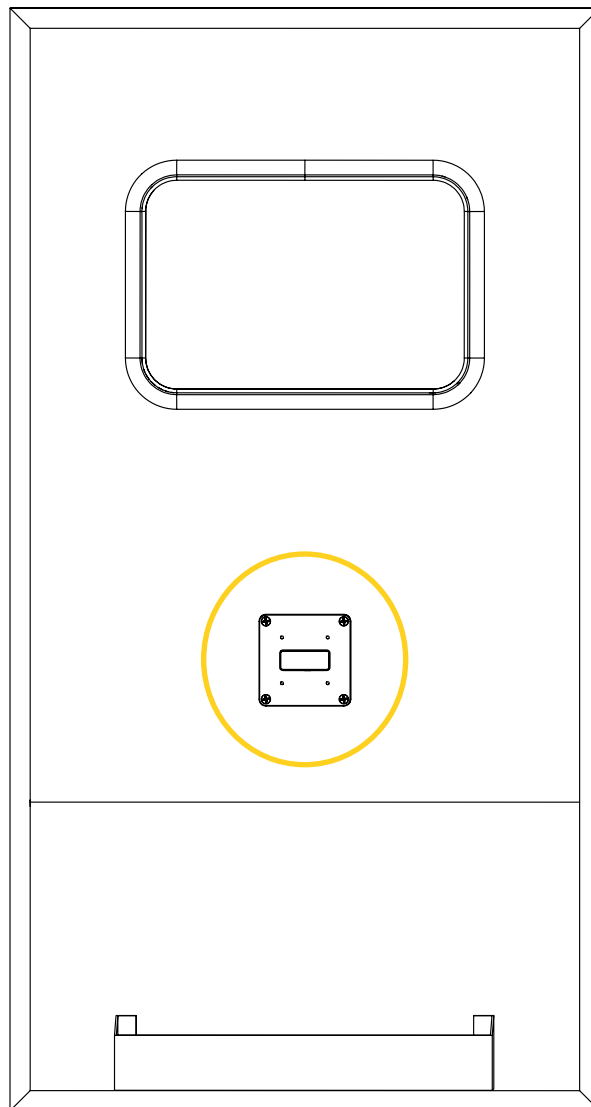


Figure 32: Flex Seqr Vertical Mount installed on a vertical surface

6. Move the VMFQ Vertical Mount up and down and from side to side a few time to ensure it is properly secured on the installation surface. If the mount does not move after the verification, it is properly secured.
7. Place the Flex Seqr locking mechanism on the VMFQ Vertical Mount , then partially tighten four (4) 10-32 in. X 1 in. socket head screws coated with medium strength thread lock adhesive, using a $\frac{5}{32}$ in. hex key (Figure 33).
8. Tighten all four (4) screws to 68 in.-lb using a torque wrench.

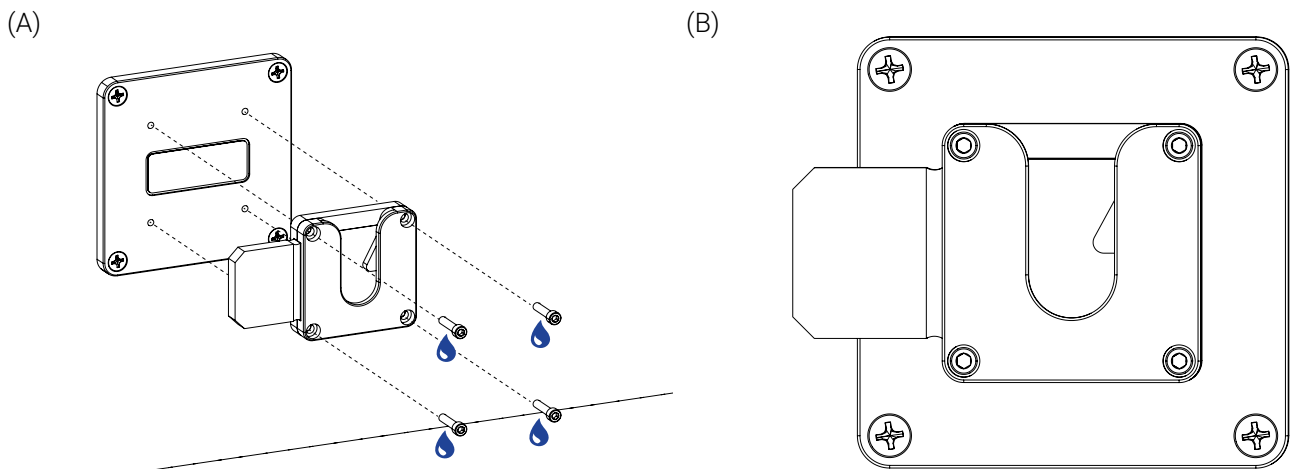


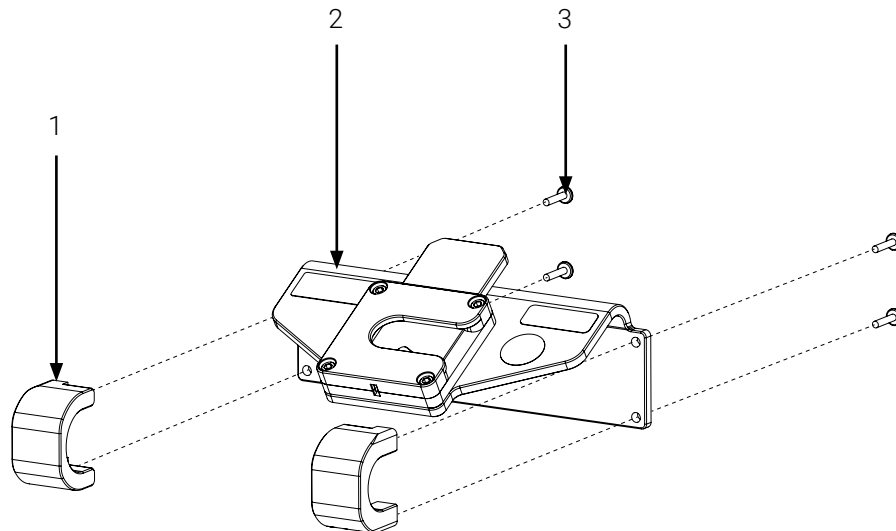
Figure 33: Installing the Flex Seqr locking mechanism on the VMFQ Vertical Mount

9. Move the Flex Seqr locking mechanism up and down and from side to side a few time to ensure it is properly secured on the VMFQ Vertical Mount. If it does not move after the verification, it is properly secured.

The installation of the Flex Seqr Vertical Mount on a vertical surface is complete.

Install the Flex Seqr Stretcher Foot End at Patient Foot End of the Stretcher

1. Apply the brakes of the stretcher and remove the mattress to facilitate the installation of the Flex Seqr mounting system. Refer to your established internal protocols if needed.
2. Identify the Flex Seqr Stretcher Foot End assembly parts (Figure 34).



- | | |
|---|---|
| 1. C-shape part of the mounting system (2X) | 3. 10-32 x 1 in. button head screw (4X) |
| 2. Main part of the mounting system | |

Figure 34: Flex Seqr Stretcher Foot End assembly parts

3. Place the two (2) c-shape parts of the mounting system on the outside of the stretcher frame at patient foot end and the main part of the mounting system on the inside of the stretcher frame, then align the screw holes and partially tighten four (4) 10-32 x 1 in. button head screws coated with medium strength adhesive, using a Phillips #2 screwdriver (Figure 35).
4. Tighten all four (4) screws using a Phillips #2 screwdriver.

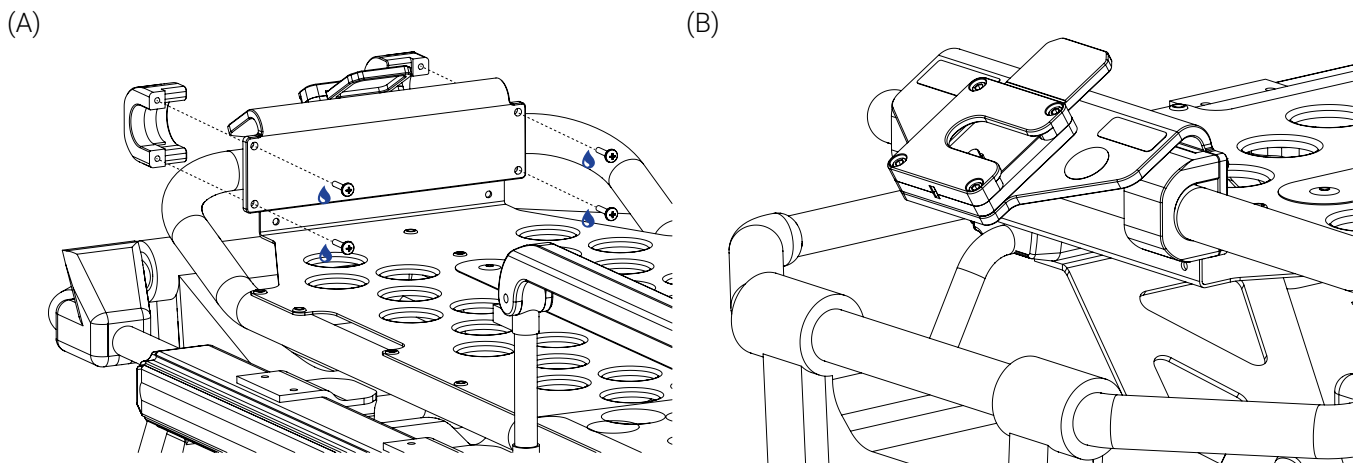


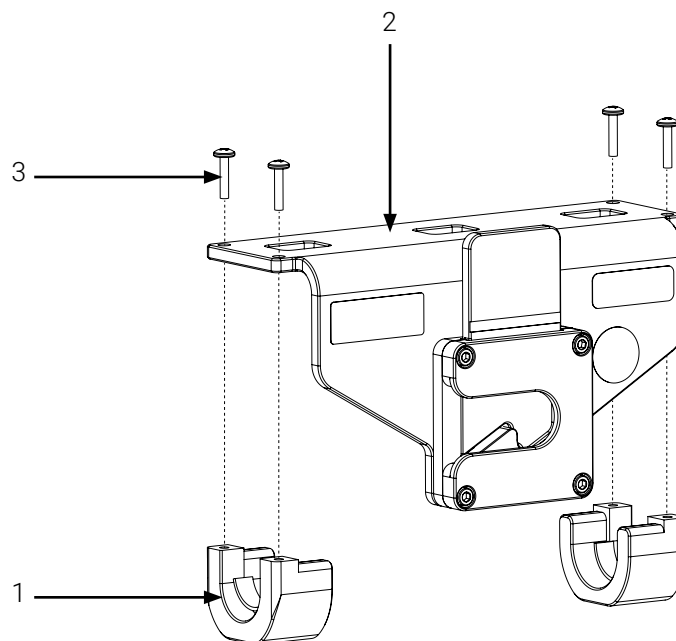
Figure 35: Installing the Flex Seqr Stretcher Foot End at patient foot end of the stretcher

5. Move the Flex Sequor Stretcher Foot End up and down and from side to side a few times to ensure that it is properly secured on the stretcher frame. If the mounting system does not move after the verification, it is properly secured.

The installation of the Flex Sequor Stretcher Foot End on the stretcher frame at patient foot end is complete.

Install the Flex Sequor Stretcher Head End at Patient Head End of the Stretcher

1. Apply the brakes of the stretcher and remove the mattress to facilitate the installation of the Flex Sequor mounting system. Refer to your established internal protocols if needed.
2. Identify the Flex Sequor Stretcher Head End assembly parts (Figure 36).



- | | |
|---|---|
| 1. C-shape part of the mounting system (2X) | 3. 10-32 x 1 in. button head screw (4X) |
| 2. Main part of the mounting system | |

Figure 36: Flex Sequor Stretcher Head End assembly parts

3. Place the two (2) c-shape parts of the mounting system under the stretcher frame at patient head end and the main part of the mounting system over the stretcher frame, then align the screw holes and partially tighten four (4) 10-32 x 1 in. button head screws coated with medium strength adhesive, using a Phillips #2 screwdriver (Figure 37).
4. Tighten all four (4) screws using a Phillips #2 screwdriver.

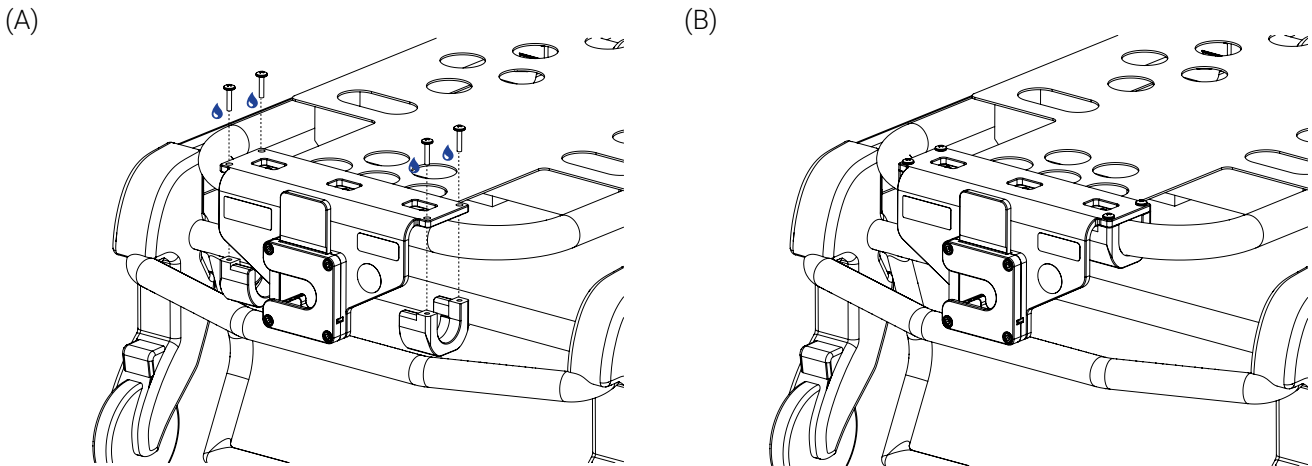


Figure 37: Installing the Flex Seqr Stretcher Head End at patient head end of the stretcher

5. Move the Flex Seqr Stretcher Head End up and down and from side to side a few times to ensure that it is properly secured on the stretcher frame. If the mounting system does not move after the verification, it is properly secured.

The installation of the Flex Seqr Stretcher Head End on the stretcher frame at patient head end is complete.

Annex IV Maintenance



The content in this section is intended for personnel who have an advanced level of competency. Refer to the « User Competency » section on page 5 if needed.

Factors such as weather, environment, geographical location and individual usage will necessitate different needs. For the maintenance of the Flex Seqr, follow the guidelines listed herein and in accordance with your service's current maintenance practices and established internal protocols. Please contact Technical Support at techsupport@technimount.com for replacement parts or repair related issues, if needed.



WARNING – General Warning

- **Do not** perform safety checks or condition-based maintenance before having read the entire the entire « Safety Measures » section on page 14 and the maintenance specific safety measures in this section, have read the entire content of the user manual, have gained in-depth knowledge and product comprehension, and have familiarized yourself with the standards and guidelines.
- Safety checks and a condition-based maintenance plan are required and should be established for all Technimount products.
- Perform the safety checks and maintenance operations as described herein. Failing to follow the recommended maintenance plan or its guidelines could cause premature damage to the product.
- Use only Technimount parts, maintenance procedures, cleaning solutions and lubricants (if applicable), as described herein. Using unapproved modified parts or procedures for the maintenance of the Technimount product may cause the system to be unstable and could cause injury to the patients or EMS and clinical personnel and void the product warranty.
- Replace damaged or worn-out parts if past their expected service life or when damaged (refer to the « Replacement Parts/Kits » section on page 55). Recycle damaged parts or dispose according to the environmental laws that apply to your jurisdiction and consult the Safety Data Sheets (SDS).



CAUTION – Safe Handling and Operation

- **Do not** use unauthorized, untested or unapproved cleaning products and disinfectants to perform condition-based maintenance, to avoid damaging the surface of your Technimount product and void the warranty. Technimount will not be held liable for damages resulting from the use of an unauthorized, untested or unapproved cleaning product.
- **Do not** use powered tools to screw the hardware during installation, as there is a potential risk of damage to the threads.
- **Do not** steam clean or use ultrasonic cleaners on the system or any of its components.
- **Do not** immerse the metal parts/components in water.
- To spot clean, the maximum water temperature should not exceed 82° C (180° F). The maximum water pressure should not exceed 1500 psi/103.5 BAR. If using a high pressure washer, the pressure nozzle must be kept a minimum of 609.6 mm (24 in.) from the product.
- When cleaning, always use appropriate Personal Protection Equipment (PPE) based on established protocols (e.g., gloves, eyewear, etc.).

**CAUTION – Corrosion**

- Always rinse and dry the Flex Seqr properly after using cleaning products. Certain types of cleaners may leave a corrosive residue on the surface of the product and could cause the premature corrosion of critical components. Refer to the product Safety Data Sheets (SDS) for chemical information or handling, storage and emergency measures in case of accident.
- Dispose of corrosive wastes according to the environmental laws that apply to your jurisdiction and consult the Safety Data Sheets (SDS).


**CAUTION – Follow Instructions for Use**

Always read and abide by all the safety guidelines identified, as well as follow all of the instructions provided by the manufacturer of the cleaning product.

Maintenance Frequency

- Safety checks and the condition-based maintenance should be performed minimally every month or as frequently needed, to prolong the longevity of the Flex Seqr in optimal conditions.
- Decontaminate the Flex Seqr as recommended in your internal protocols, as well as the regulations and standards in virtue of the infection prevention and control procedures.

Required Tools

- Clean dry cloths
- Soft brush
- Pressure washer
- Cleaning solutions
- $\frac{3}{16}$ in. hex key
- $\frac{5}{32}$ in. hex key
- Phillips #2 screwdriver
- Torque wrench (up to 150 in.-lb)
- Medium strength thread lock adhesive ()

Tested and Approved Cleaning Solutions

- Oxivir, 5% Hydrogen Peroxide with Peracetic Acid (AHP)
- Lavo 12, 10 000 ppm Sodium Hypochlorite
- TNT-100, 5% Quaternary Ammonium Compound
- Spectro-Sept, 5% Ethyl Alcohol
- Spectrol, 5% EDTA salt

Maintenance Plan

1. Check the boxes upon completion of the safety checks (page 49) and condition-based maintenance (page 50), then add your comments and/or observations in the maintenance log (page 51) if needed. In case of a non-conformity, immediately stop using the Flex Seqr and contact Technical Support at techsupport@technimount.com for a remedial action plan.
2. Keep records of your maintenance activities.

SAFETY CHECKS

CHECKED

Flex Seqr (Figure 38, Figure 39, Figure 40 and Figure 41)

- Visually inspect all the components of the Flex Seqr to ensure that the hardware is in good condition and there are no loose screws.
 - *If the hardware is not in good condition, replace it. Contact Technical Support if needed.*
 - *If the screws are loose, tighten them. Refer to the « Install the Flex Seqr Mounting System » section on page 37.*
- Visually inspect all the components of the Flex Seqr to ensure there is no chemical attack.
 - *If there are traces of chemical attack, clean the mounting system. Refer to the « Condition-Based Maintenance » section on page 50 if needed.*
- Press and release the quick release button a few times to ensure proper functioning of the Flex Seqr locking mechanism.
 - *If when pressed, the button does not insert with ease in the mechanism to the point where the lock/unlock indicator is no longer visible or when the button is released, it does not return to its initial position, fully exposing the lock/unlock indicator, there is a non-conformity.*
- Press and release the latch to ensure proper functioning of the Flex Seqr locking mechanism.
 - *If when pressed, the latch does not move in and out with fluidity and without resistance, there is a non-conformity.*
- Install the mounting bracket on the Flex Seqr and remove it a few times to ensure proper functioning of the locking mechanism of the mounting system.
 - *If the mounting clip of the bracket does not easily insert in the Flex Seqr and does not lock, and/or cannot be easily removed when using the quick release button of the mounting system, there is a non-conformity.*
- Look at the manufacturing label to ensure that your Flex Seqr has not passed its expected service life. Refer to the « Labels » section on page 10 and the « Technical Specifications » section on page 16 if needed.
 - *If the estimated period of safe and reliable use has passed, there is a non-conformity.*

CONDITION-BASED MAINTENANCE**CHECKED**

Clean the Flex Seqr, after you have completed the safety checks:

1. Remove the excess dirt using a clean cloth, if needed.
2. Remove the contaminants using a pressure washer or as recommended in your established internal protocols and control procedures.
3. Clean using a cloth and cleaning solution.
4. Spot clean stains by applying the solution directly on the stain and let sit on the surface, if needed.

NOTE : Avoid over saturation and ensure that the product does not sit on the surface of the Flex Seqr's components longer than recommended by the cleaner's manufacturer.

5. Thoroughly rinse the solution with a clean cloth dampened with lukewarm water, then dry all the components using a clean cloth before returning to service.
-

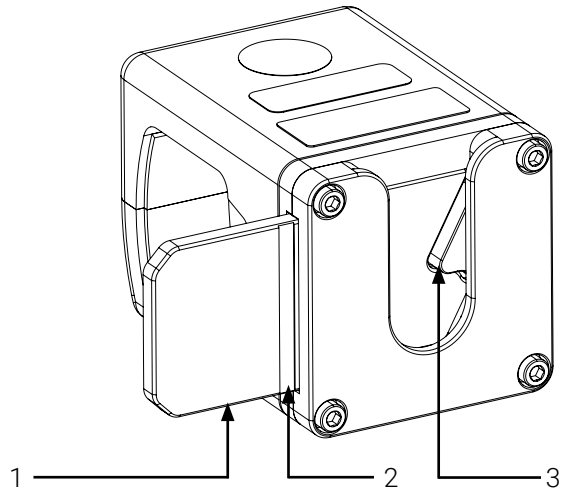
MAINTENANCE LOG

Add your comments and/or observations, after you have completed the safety checks and Condition-Based Maintenance, if needed:

Maintenance plan completed on (dd/mm/yyyy):

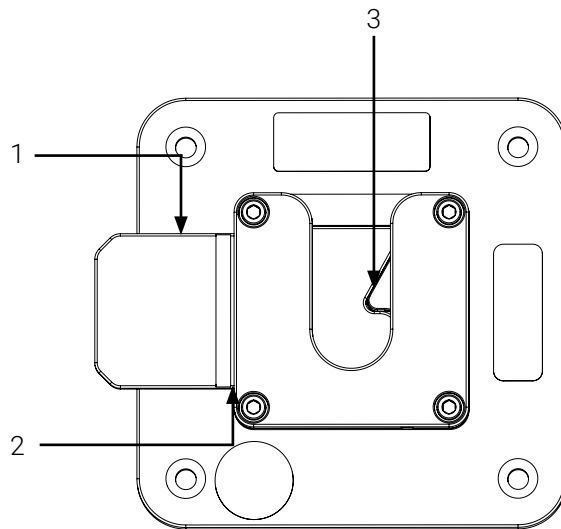
Maintenance plan completed by:

Illustrated Inspection Points



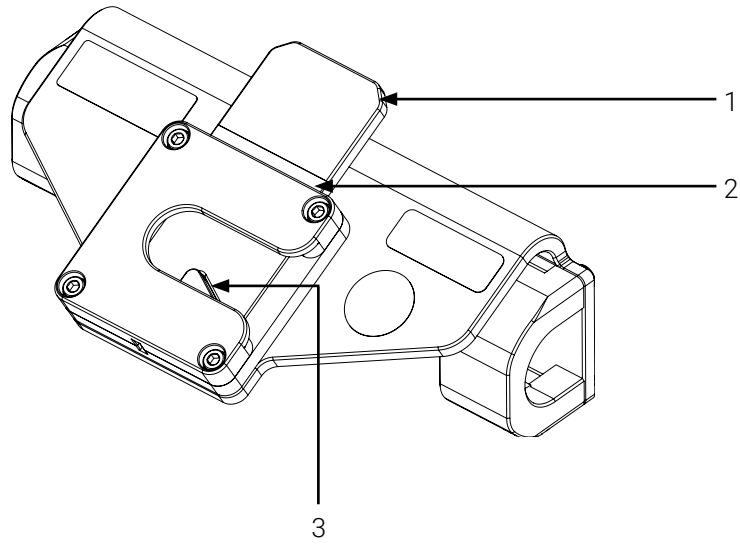
- | | |
|--------------------------|----------|
| 1. Quick release button | 3. Latch |
| 2. Lock/unlock indicator | |

Figure 38: Illustrated inspection points of the Flex Seqr Stretcher Side



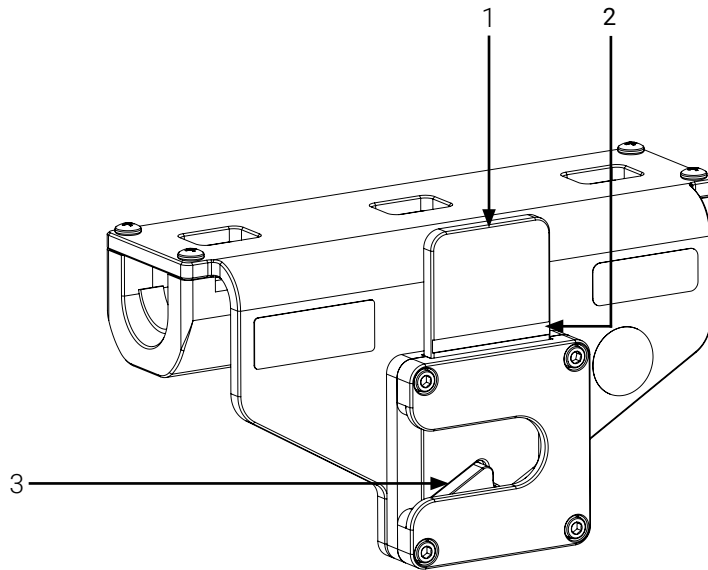
- | | |
|--------------------------|----------|
| 1. Quick release button | 3. Latch |
| 2. Lock/unlock indicator | |

Figure 39: Illustrated inspection points of the Flex Seqr Vertical Mount



- | | |
|--------------------------|----------|
| 1. Quick release button | 3. Latch |
| 2. Lock/unlock indicator | |

Figure 40: Illustrated inspection points of the Flex Sequer Stretcher Foot End



- | | |
|--------------------------|----------|
| 1. Quick release button | 3. Latch |
| 2. Lock/unlock indicator | |

Figure 41: Illustrated inspection points of the Flex Sequer Stretcher Head End

Annex V Replacement Parts/Kits



The content in this section is intended for personnel who have an expert and advanced level of competency. Refer to the « User Competency » section on page 5 if needed.

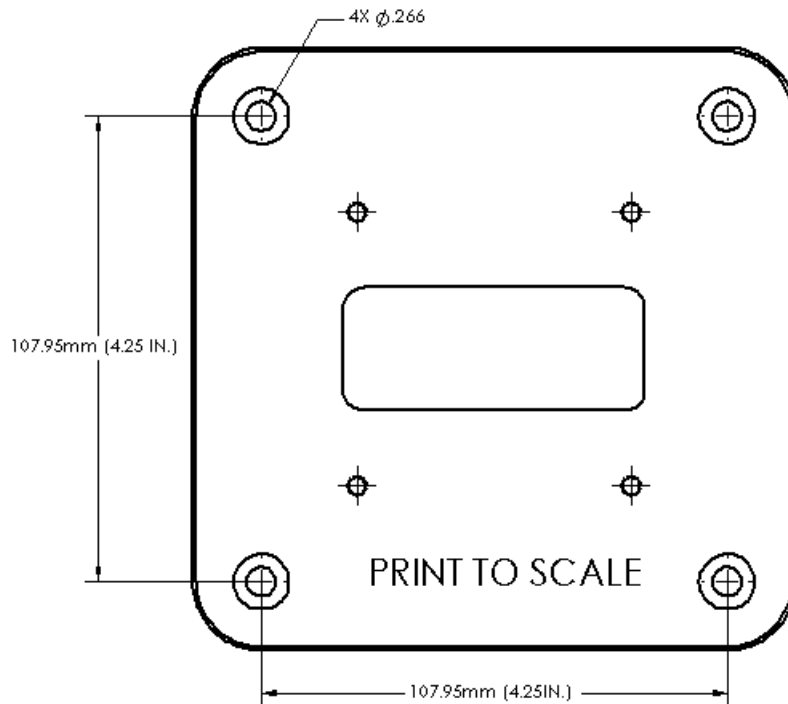
Technimount reserves the right to change part numbers and products without notice. Please contact Customer Service at customerservice@technimount.com to ensure product options and availability, or Technical Support at techsupport@technimount.com for replacement parts/kits or repair related issues.

REFERENCE	PART/KIT NUMBER	PART/KIT DESCRIPTION
N/A	3400-11-FQ	Protector

Annex VI Flex Seqr Vertical Mount Drilling Template (Print to Scale)



The content in this section is intended for personnel who have an advanced level of competency. Refer to the « User Competency » section on page 5 if needed.





TECHNIMOUNT
EMS[®]

SAFETY AND FLEXIBILITY
WHERE IT MATTERS MOST