



TECHNIMOUNT
EMS®

TECHNI-INO

USER MANUAL



SAFETY AND FLEXIBILITY
WHERE IT MATTERS MOST

Copyrights

Copyright 2025 Technimount E.M.S. Holding Inc. is an affiliated company of Technologies CGC Inc. All Rights Reserved. No part of this publication may be reproduced, transmitted, transcribed, backed-up on a retrieval system, translated in any language, modified in any form or by any means, without the written permission of Technimount or its affiliate companies.

Trademarks

Product and medical device manufacturer names are Trademarks™ or Registered Trademarks® of their respective holders.

- Technimount EMS® is a registered trademark of Technologies CGC Inc.
- Flex Secur™ is a trademark of Technologies CGC Inc.
- INOmax® is a registered trademark of INO Therapeutics
- Oxivir® is a registered trademark of Diversey.
- Lavo® is a registered trademark of KIK Holdco Company, Inc.

For any issues with your Technimount product, its components, or for any technical questions during the installation, operation, or maintenance, please contact Technical Support at techsupport@technimount.com.

Contact Information

Technimount E.M.S. Holding Inc.

C/O: Regulatory Affairs

3770 Jean Marchand Street, Suite 100-C

Quebec (Quebec) G2C 1Y6

Canada

customerservice@technimount.com

techsupport@technimount.com

legal@technimount.com

www.technimount.com

T + 1 581 700-6613

SF + 1 888 639-2758

Table of Contents

Copyrights	ii
Trademarks	ii
Contact Information	ii
1. General Mentions and Considerations	5
..... 1.1. Intended Use	5
..... 1.2. User Competency	5
..... 1.3. Warranties	6
..... 1.3.1. Warranty Policy	6
..... 1.3.2. Limited Warranty	6
..... 1.3.3. International Warranty Clause	7
..... 1.3.4. User Liability	7
..... 1.4. Claims	7
..... 1.4.1. Damaged or Defective Merchandise	7
..... 1.4.2. Return Policy	7
..... 1.4.3. Return of Material Authorization (RMA)	8
..... 1.4.4. Claim Process	8
2. General Safety Guidelines	9
..... 2.1. Symbols and Definitions	9
..... 2.2. Labels	10
..... 2.3. Safety Measures	11
3. Technical Specifications	13
4. Techni-INO Orientation Diagrams	15
5. Techni-INO Illustrated Parts	17
6. Techni-INO Illustrated Specifications	19
7. Operate the Techni-INO	20
..... 7.1. Install the D-Size INOmax gas cylinder in the Techni-INO	20
..... 7.2. Remove the D-Size INOmax gas cylinder from the Techni-INO	24
8. Operate the Optional Accessories	26
..... 8.1. Install the PAX Shoulder Strap on the Techni-INO	26
..... 8.2. Remove the PAX Shoulder Strap from the Techni-INO	26
..... 8.3. Installation of the PAX Oxygen Bag(s) on the Techni-INO	27
..... 8.4. Removal of the PAX Oxygen Bag(s) from the Techni-INO	27

Annex I Skills Assessment of the EMS and clinical personnel	29
Annex II Unpack the Techni-INO	31
Annex III Modify the Mounting Clip Orientation.....	33
..... Required Tools	33
..... Modify the Mounting Clip Orientation.....	33
Annex IV Maintenance.....	37
..... Maintenance Frequency.....	38
..... Required Tools	38
..... Tested and Approved Cleaning Solutions.....	38
..... Maintenance Plan.....	39
..... Safety Checks.....	39
..... Condition-Based Maintenance.....	40
..... Maintenance Log	41
..... Illustrated Inspection Points.....	42
Annex V Replacement Parts/Kits	43

1. General Mentions and Considerations

The Techni-INO user manual includes detailed product information, standards and guidelines to assist the administrator/manager/supervisor and biomedical technician (or equivalent) with the unpacking, assembling (when indicated) and maintenance of the Technimount product. It also includes specific user-related information to assist trained EMS and clinical personnel with effectively operating the gas cylinder mounting bracket.

Please read the user manual thoroughly to fully assess, comprehend, then relay its content to EMS and clinical personnel during training, to warn them of any potential danger of its abuse, how to safely use the product and provide a safe environment for patients as well as themselves. Your established internal protocols should be updated to include the Technimount product(s) standards, guidelines, requirements and safety recommendations included within this documentation. The user manual should remain available to users when needed and relayed if the product is subsequently sold.

NOTE : Technimount continually seeks advancements in product design and quality. While the user manual contains the most updated product information available at the time of printing, it may contain minor differences from the current version, including image references. For more information, please contact Technical Support at techsupport@technimount.com.

NOTE : Technimount reserves the right to change part numbers and products without notice. Please contact Customer Service at customerservice@technimount.com to ensure product options and availability.

1.1. Intended Use

The Techni-INO is designed to aid trained EMS and clinical personnel secure and transport a D-Size INOmax gas cylinder, during ground emergency medical services and critical care transport.

1.2. User Competency

To safely operate the Techni-INO, the personnel must have the required skill level, taking in account the skill level that is necessary to comply with their function and level of interaction with the mounting bracket: Training should be given to EMS and clinical personnel prior to them using the Techni-INO. Refer to the « Skills Assessment of the EMS and clinical personnel » section on page 29 to evaluate their competency.



Indicates who the content is intended for and the level of competency required. The definitions of the three (3) levels of competency are specified below.

- **Proficient (trained EMS and clinical personnel):** Has received the required training, is sufficiently knowledgeable to safely operate the product and have passed the skills assessment (refer to the « Operate the Optional Accessories » section on page 26).

NOTE : Any member of the EMS and clinical personnel who has not received the required training and lacks the knowledge needed to safely operate the mounting bracket must not use the product.

- **Expert (administrator/manager/supervisor):** Has in-depth knowledge and product comprehension, and is familiar with standards and guidelines. Skilled to train EMS and clinical personnel on how to safely use the

product.

- **Advanced (biomedical technician or equivalent):** Has extensive mechanical experience. Skilled to perform the unpacking, assembly, safety checks and condition-based maintenance procedures as detailed herein, or the basic troubleshooting, upgrade and/or replacement procedures if applicable.

1.3. Warranties

1.3.1. Warranty Policy

This statement constitutes Technimount's entire warranty policy with regards to Technimount products. Technimount makes no other warranty or representation, neither expressed nor implied, except as stated herein. There is no warranty of merchantability or warranty of fitness for any particular purpose. Under no circumstances will Technimount be held liable hereunder for incidental or consequential damages, arising from or in any manner, related to sales or use of any such product.

Technimount E.M.S. Holding Inc. guarantees to the original "Purchaser" of the "Product" with which this "Limited warranty" is included, that the product will be free from "Defects" in workmanship and materials under normal use for a "Warranty period" of one (1) year from the product purchase date by the purchaser. During the warranty period, the product will be repaired or replaced according to the "Limited warranty" without charge to the purchaser for parts or labor. The parts and product may be repaired or replaced with new or refurbished parts or products. Herein this Limited Warranty, "Refurbished" means parts and products which have been returned to the factory, specifically. If the product is repaired or replaced within the warranty period, the greater of the remaining warranty period will apply, or three (3) months from the date of repair or replacement. If the product is repaired or replaced after the warranty period has expired, the warranty period for the repair or replacement will expire three (3) months after the repair or replacement date.

1.3.2. Limited Warranty

Technimount products are intended to secure in place medical devices only in the case of a single crash impact, and must thereafter be immediately replaced. If the end user uses a Technimount product following a crash impact, it is at the end user's own risk, and Technimount will not be held liable.

The limited warranty does not apply to normal wear that could result from normal use. It does not apply when the product or any of its components have been disassembled or repaired by someone not authorized by "Technimount". It does not cover repair or the replacement of any product or part thereof damaged by neglect, misuse, moisture, liquids, exposure to heat, accidents, abuse, and non-compliance with the instructions for installation and use provided with the product. It does not cover physical damage to the surface of the product. The decision to repair, replace or refuse the coverage is final and at the sole discretion of Technimount, without any compensation or obligation from Technimount. The product, defined as a "mounting bracket" or "bracket", is specifically designed to secure and transport a D-Size INOmax gas cylinder, and should only be used to fill this requirement. Any other use will void the warranty and Technimount shall not be held liable on any claim if the product has been modified or adapted for use.

1.3.3. International Warranty Clause

This warranty abides by the Canadian domestic policy. Warranty outside Canada may vary by country. Please contact Customer Service at customerservice@technimount.com for more information.

1.3.4. User Liability

The purchaser and administrator are responsible to validate regulations and standards for safety in their region, to comply with applicable safety regulations. Technimount is not responsible to inform the purchaser or the administrator of any applicable legislation for safety in their area.

The administrator is responsible for providing proper training to any personnel who will install, operate and perform maintenance on Technimount products.

1.4. Claims

1.4.1. Damaged or Defective Merchandise

ICC Regulations require that claims for damaged merchandise must be made with the carrier within fifteen (15) days of the reception date. **Do not** accept damaged merchandise unless such damage is noted on the delivery receipt at the time of reception. Upon prompt notification, Technimount will file a freight claim with the appropriate carrier for damages incurred. Claims are limited in amount to the actual replacement cost. If the claim has not been received by Technimount within the fifteen (15) day period following the date of delivery, or the damage was not noted on the delivery receipt at the time of receipt, the customer will be responsible for the full payment of the original invoice.

Claims for any short or broken merchandise must be made within thirty (30) days of invoicing. For details, refer to the claim process or contact Customer Service at customerservice@technimount.com.

1.4.2. Return Policy

Technimount products may be returned up to sixty (60) days from the reception date, if:

- The received product does not match what was originally ordered.
- The product does not meet the Technimount technical sheet specifications.
- The product is not compatible with the system on which it was intended to be installed on.

To return a Technimount product,

- A Return of Merchandise Authorized (RMA) must be requested and approved by Technimount prior to returning the product.
- Products must be returned undamaged and in its original packaging, appropriately identified with the approved RMA number. Returns will not be approved on a modified or damaged item.
- Charges may apply if the package received is damaged or items are missing.
- Purchaser is responsible for a restocking fee (refer to Table 1 on page 8).

Table 1: Restocking fees

RESTOCKING FEES	
Prior to thirty (30) days	10%
Prior to forty-five (45) days	25%
Prior to sixty (60) days	30%

For any manufacturing defect, refer to the conditions within the warranty policy or contact Customer Service at customerservice@technimount.com for additional information.

1.4.3. Return of Material Authorization (RMA)

The Technimount Customer Service department is responsible for all merchandise returns and will provide a Return of Merchandise Authorization (RMA) number, upon approval. The RMA must be printed and placed on the returned merchandise. Technimount reserves the right to charge shipping and restocking fees (refer to Table 1 on page 8) for the returned items. Special, modified, or discontinued items are not subject to returns.

1.4.4. Claim Process

Upon reception of the returned merchandise, a thorough inspection will be performed. If the merchandise is compliant with the return policy or it is found that the product is defective, Technimount will take corrective actions and close the claim. If, however, it is found that the product is not defective, but rather misused or abused, the product will not be covered by the warranty. Details of our findings and conclusions will be provided shortly thereafter. To submit a claim, contact Customer Service at customerservice@technimount.com to obtain a Return of Material Authorization (RMA) form and return instructions.

2. General Safety Guidelines



The content in this section is intended for personnel who have a proficient, expert or advanced level of competency. Refer to the « User Competency » section on page 5 if needed.

Pictograms, safety symbols and labels are used to alert the user to a potentially hazardous situation, which, if not avoided, may endanger the patients or EMS and clinical personnel, and/or damage the product. This includes the special care necessary for the safe and effective use of the Technimount product to avoid damage that may occur from use or misuse.

The terms "Warning" and "Caution" herein carry special meaning and should be carefully reviewed before reading the « Safety Measures » section on page 11.

WARNING – Indicates a hazardous situation that, if not avoided, could result in death or serious injury, and/or damage the product.

CAUTION – Indicates a hazardous situation that, if not avoided, could result in minor or moderate injury, and/or damage the product.

2.1. Symbols and Definitions



WARNING – Risk of Injury

Indicates when a misuse of the Technimount product could result in injuries to the patients or EMS and clinical personnel, and/or damage to the product.



CAUTION – Safe Practice

Alerts the reader to pay special attention to the recommendations and methods outlining how to safely operate the product to minimize risks to the patients, EMS and clinical personnel, and/or to the product.



CAUTION – Safe Handling and Operation

Alerts the reader to pay special attention to the recommendations for safe use of the product, and of potentially hazardous situations that could result in minor injuries to the patients or EMS and clinical personnel. This includes the special care necessary for the safe and effective use of the product to avoid damage that may occur from use or misuse.



CAUTION – Safe Working Load (SWL)/Load Balance

Indicates the maximum charge for a safe use of the product.

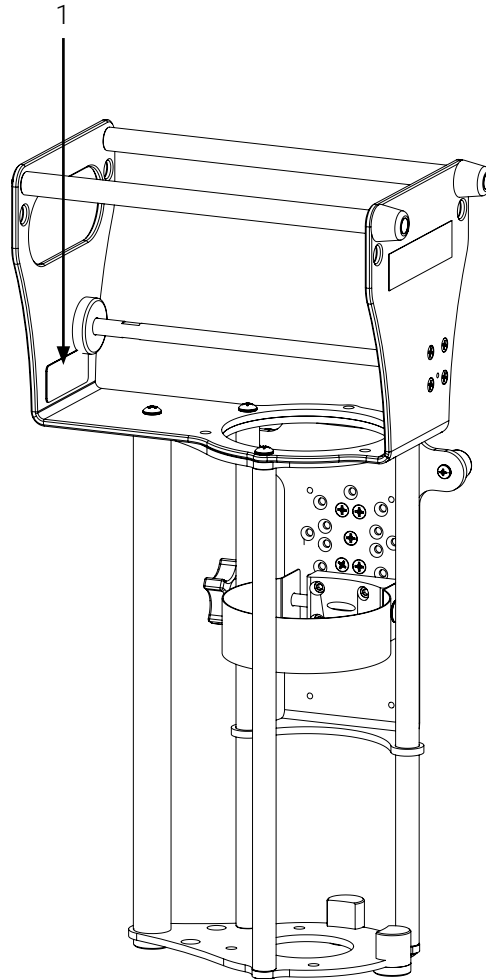


CAUTION – Follow Instructions for Use

Call for action. Reminds the reader to consult the user manual for information.

2.2. Labels

Labelling on the surface of the Technimount product, quickly identify potential risks and provides information to the user. A manufacturing label, including the serial number, a safe working load specification and gas cylinder type warning (Figure 1), can be seen on the Technimount product.



1. Manufacturing label

Figure 1: Location of the manufacturing label

2.3. Safety Measures

Carefully read all the safety measures herein before operating the Technimount product, and always abide by all the safety guidelines identified within this document.

Specific safety measures relating to the safety checks and conditioned-based maintenance, intended for personnel who have an advanced level of competency, can be found in the « Maintenance » section on page 37.



WARNING – Risk of Injury

- **Never** set and leave the gas cylinder on the floor vertically, even when it is secured in the Techni-INO, to avoid risks of falling. Manipulating the gas cylinder represents a certain risk, when used with the mounting bracket and should be handled and stored with precaution. Always refer to your existing internal protocols and the Safety Data Sheets (SDS) for safe handling, storage and emergency measures.
- **Do not** use the Techni-INO if there are any loose or missing screws, to prevent undue risk to the gas cylinder, to patients, and to EMS and clinical personnel.
- Always use the Techni-INO as it was intended, using only the compatible gas cylinder and mounting systems. Improper use of the Technimount product may cause unpredictable functioning resulting in injury to patients or to EMS and clinical personnel. Refer to the « Technical Specifications » section on page 13 for compatibilities.
- If any serious incident occurs with the Techni-INO, immediately stop using the product, report the incident to Technical Support at technicalsupport@technimount.com and the applicable regulatory agency.



CAUTION – Safe Practice

- Always pay close attention to the condition of the safety mechanisms and ensure they are functional before the Techni-INO is used for transport, to avoid risks of damage, of equipment falling, or to prevent injuries to patients or to EMS and clinical personnel. Follow the recommended maintenance plan and its guidelines, as described in this user manual.
- Practice safely operating the Techni-INO until the manipulations have been perfected, before use with patients. Improper use of a Technimount product may damage it or cause injury to patients or to EMS and clinical personnel.
- Regulations and standards for safety are the sole responsibility of the end user. Ensure that the installation specifications meet the local and regional compliance requirements before use.
- Refer to your established internal protocols and the user documentation provided with the gas cylinder for the safety guidelines and safe use.

**CAUTION – Safe Handling and Operation**

- Always ensure that the Techni-INO is secured on the mounting clip of the Flex Secur before it is used for transport, to avoid risks of damage, of equipment falling, or of injuries to patients or to EMS and clinical personnel.
- Always ensure that the locking rod is properly inserted in the locking mechanism before the Techni-INO is used for transport, to avoid risks of damage, of equipment falling, or of injuries to patients or to EMS and clinical personnel.
- Always ensure that the gas cylinder is secured in the Techni-INO before it is used for transport, to avoid risks of damage, of equipment falling, or of injuries to patients or to EMS and clinical personnel.
- Always pay close attention not to wedge the tubing during the installation/removal of the gas cylinder and/or accessories. Refer to your established internal protocols for the safety guidelines and safe use with the Techni-INO.

**CAUTION – Safe Working Load (SWL)/Load Balance**

Do not overload the Techni-INO to avoid tipping incidents or risks of collapsing. The total Safe Working Load (SWL) is 8.17 kg (18 lb).

**CAUTION – Follow the Instruction for Use**

- Always read and abide by the safety guidelines identified and follow the instructions provided in the user documentation of the Techni-INO, the gas cylinder and/or the optional PAX accessories, as well as in your established internal protocols. Refer to the Safety Data Sheets (SDS) and the manufacturer's user documentation for the safety guidelines and safe use.
- Although the Techni-INO was developed to be compatible with most oxygen regulators, Technimount cannot warrant compatibility with all flow meters. Refer to the manufacturer's user documentation for the compatibilities, technical specifications, the safety guidelines and safe use of your oxygen regulator.

3. Technical Specifications



The content in this section is intended for personnel who have a proficient, expert or advanced level of competency. Refer to the « User Competency » section on page 5 if needed.

Product Name	Techni-INO
Description	Portable mounting bracket designed to aid trained EMS and clinical personnel secure and transport a D-Size INOmax gas cylinder
Product Code	3440-10-TNO
Operating Environment	EMS/CCT (ground)
Compliance	Tested in compliance with SAE J3043 and AMD-028
Expected Service Life	5 years
Compatible Stretcher	N/A
Compatible Mounting System	Flex Secur
Compatible Medical Devices/ Accessories	<ul style="list-style-type: none"> - D-Size INOmax gas cylinder - INOmax high-pressure regulator
Dimensions (W X D X H)	<ul style="list-style-type: none"> - Techni-INO: 302.26 mm X 175.26 mm X 551.18 mm (11.9 in. X 6.9 in. X 21.7 in.) - Optional accessories: <ul style="list-style-type: none"> - PAX shoulder strap: 1625.6 mm L (64 in. L) - PAX oxygen bag: 127 mm X 127 mm X 76.2 mm (5 in. X 5 in. X 3 in.)
Weight	<ul style="list-style-type: none"> - Techni-INO: 3.3 kg (7.3 lb) - Optional accessories: <ul style="list-style-type: none"> - PAX shoulder strap: 0.14 kg (0.3 lb) - PAX oxygen bag: 0.23 kg (0.5 lb)
Composition	<ul style="list-style-type: none"> - Techni-INO: Stainless steel, plastic and rubber - Optional accessories: <ul style="list-style-type: none"> - PAX shoulder strap: stainless steel, plastic and nylon - PAX oxygen bag: plastic
Total Safe Working Load (SWL)	8.17 kg (18 lb)
Operating Temperature	- 35° C to 45° C (- 31° F to 113° F)
Tested and Approved Cleaning Solutions	<ul style="list-style-type: none"> - Techni-INO: <ul style="list-style-type: none"> - Oxivir, 5% Hydrogen Peroxide with Peracetic Acid (AHP) - Lavo 12, 10 000 ppm Sodium Hypochlorite - TNT-100, 5% Quaternary Ammonium Compound - Spectro-Sept, 5% Ethyl Alcohol - Spectrol, 5% EDTA salt - Optional accessories: Refer to the PAX user documentation

Options

- PAX shoulder strap: 3430-21-UN
 - PAX oxygen bag: 3430-20-PX
-

4. Techni-INO Orientation Diagrams



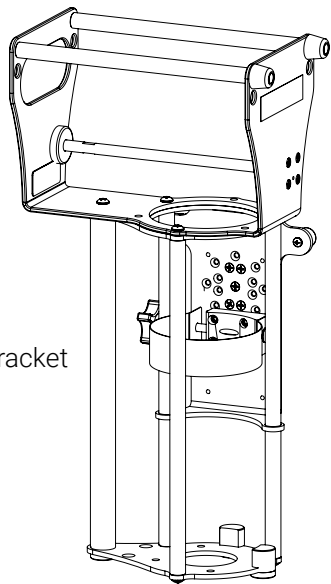
The content in this section is intended for personnel who have a proficient, expert or advanced level of competency. Refer to the « User Competency » section on page 5 if needed.

NOTE : The orientations referenced herein are from the gas cylinder mounting bracket standpoint.

(A)

Head of the mounting bracket

Front of the mounting bracket

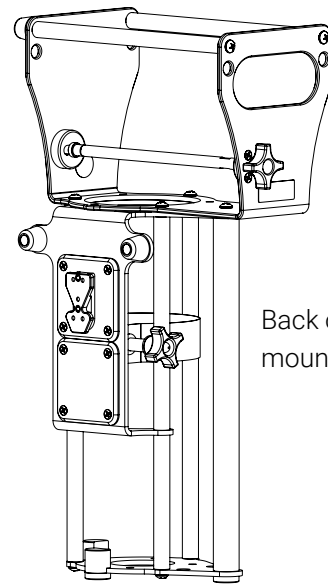


Base of the mounting bracket

(B)

Head of the mounting bracket

Back of the mounting bracket



Base of the mounting bracket

Figure 2: Orientation diagram of the Techni-INO

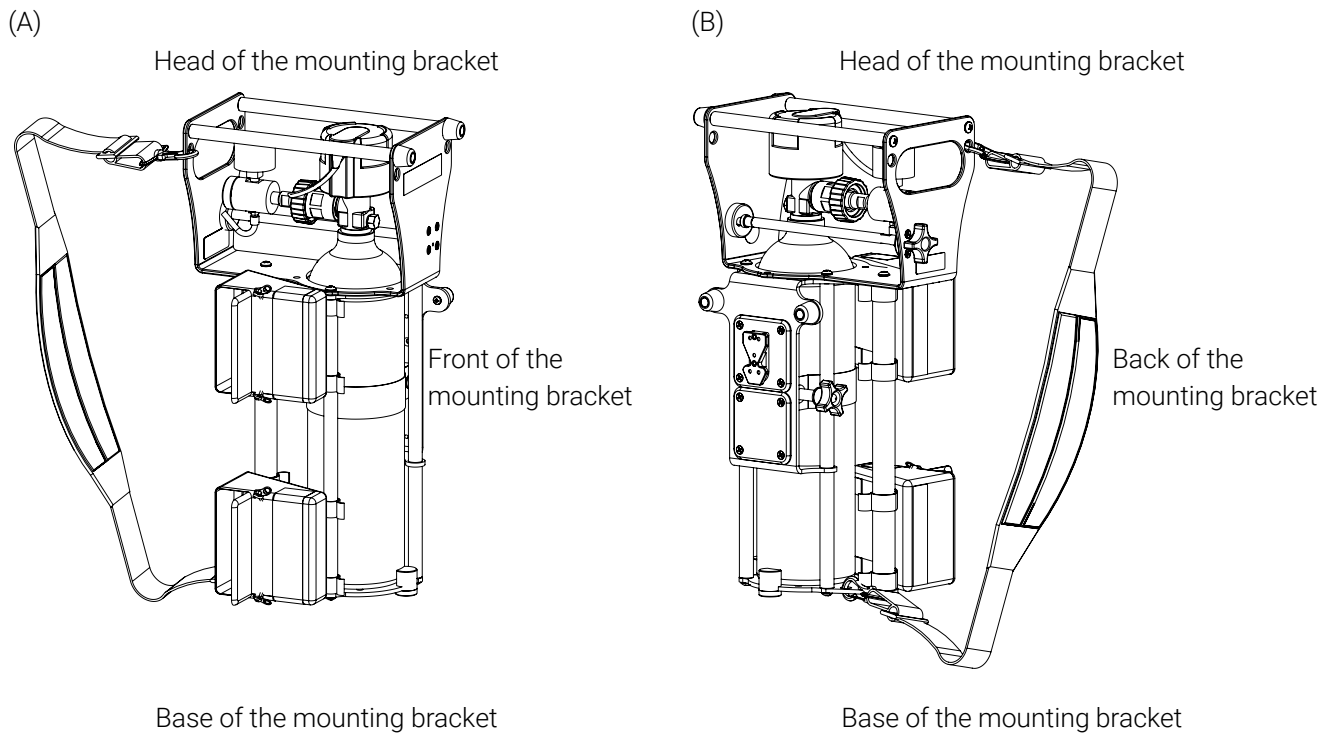
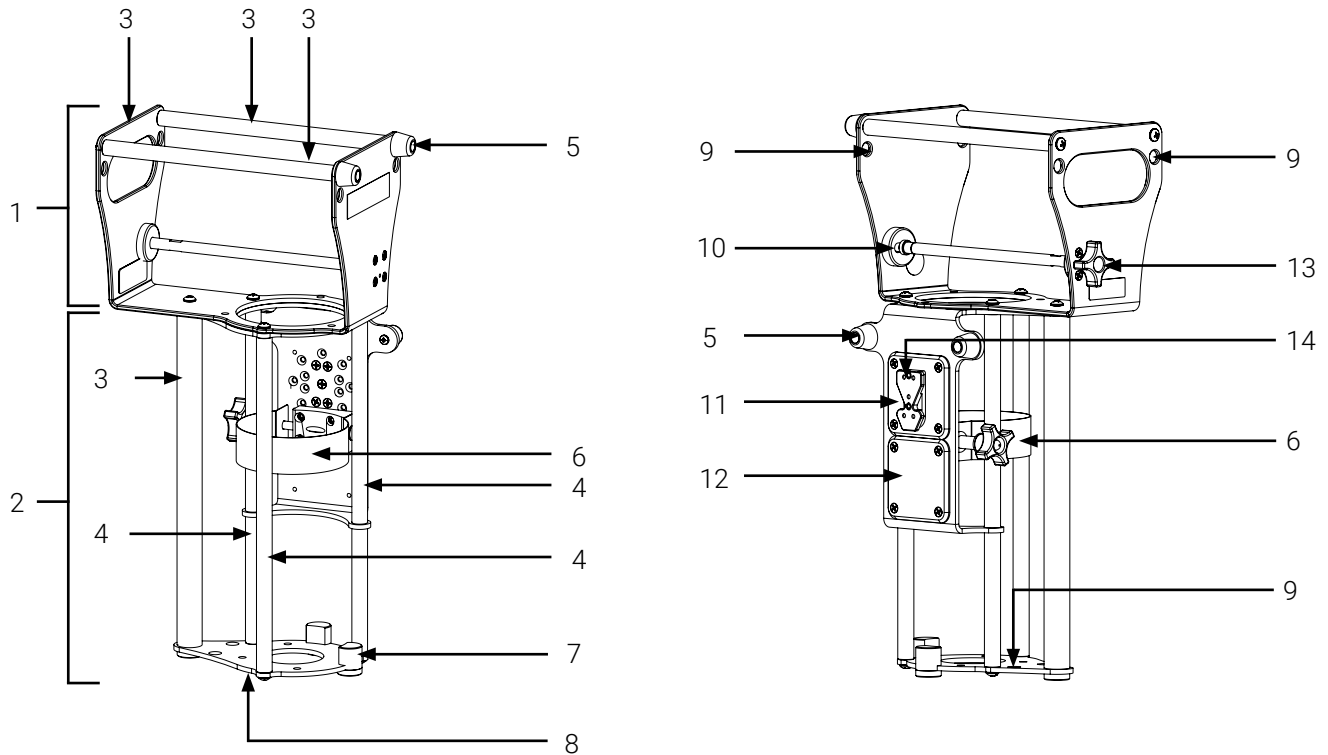


Figure 3: Orientation diagram of the Techni-INO with the gas cylinder and the optional accessories

5. Techni-INO Illustrated Parts

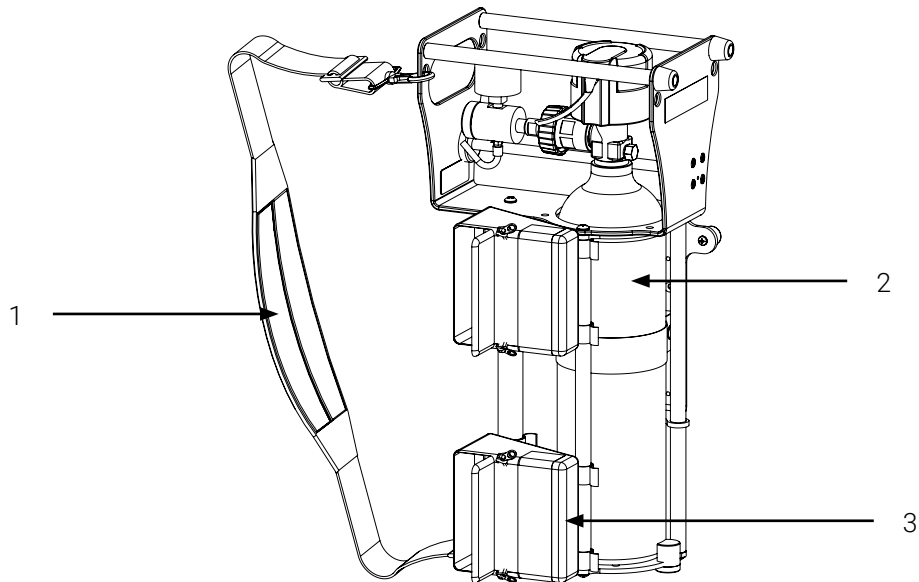


The content in this section is intended for personnel who have a proficient, expert or advanced level of competency. Refer to the « User Competency » section on page 5 if needed.



- | | |
|---|--|
| 1. Gas pressure regulator protector | 8. Base plate |
| 2. Gas cylinder protective cage | 9. Eyelet for the optional shoulder strap (6X) |
| 3. Transport handle (4X) | 10. Locking mechanism (locking rod with knob) |
| 4. Rod (gas cylinder protective cage; 3X) | 11. Anchor plate (mounting clip) |
| 5. Foot (4X) | 12. Guiding plate |
| 6. Gas cylinder retainer with knob | 13. Locking rod with knob |
| 7. Positioning guide (2X) | 14. Mounting clip |

Figure 4: Components of the Techni-INO



- | | |
|----------------------------------|--|
| 1. PAX shoulder strap with clasp | 3. PAX oxygen bag (1-2, depending on your configuration) |
| 2. D-Size INOmax gas cylinder | |

Figure 5: Illustration of the Techni-INO with the gas cylinder and the optional accessories

6. Techni-INO Illustrated Specifications



The content in this section is intended for personnel who have a proficient, expert or advanced level of competency. Refer to the « User Competency » section on page 5 if needed.

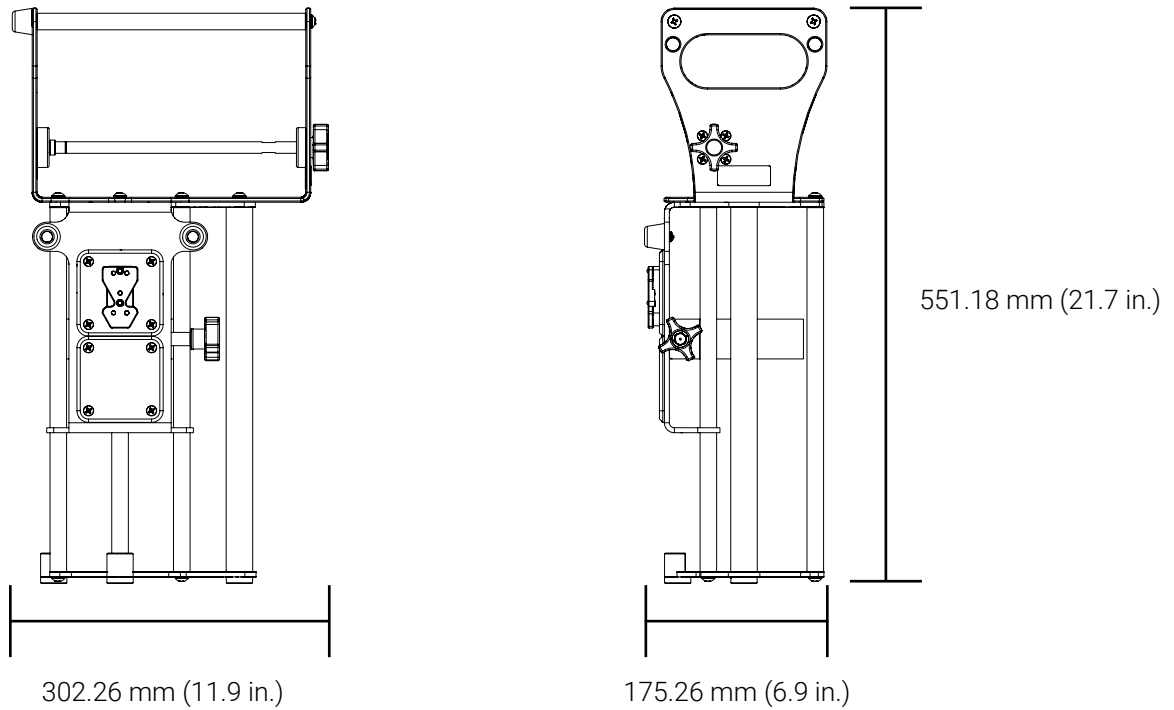


Figure 6: Techni-INO illustrated specifications

7. Operate the Techni-INO



The content in this section is intended for personnel who have a proficient, expert or advanced level of competency. Refer to the « User Competency » section on page 5 if needed.

NOTE : There are several different ways to install the Techni-INO on the Flex Sequor mounting system. Refer to the Flex Sequor user manual for the compatible installation configurations and mounting clip orientations, if needed. The operation, installation and removal steps illustrated herein are for comprehension purposes, and apply to all the compatible installation configurations and mounting clip.

7.1. Install the D-Size INOmax gas cylinder in the Techni-INO

1. Remove the Techni-INO from the Flex Sequor. Refer to the Flex Sequor mounting system user manual if needed.
2. Install the gas pressure regulator on the gas cylinder. Refer to your established internal protocols, and the gas pressure regulator user documentation for the safety guidelines and safe use if needed.
3. Turn the knob of the gas cylinder retainer counterclockwise to loosen the retainer (Figure 7).

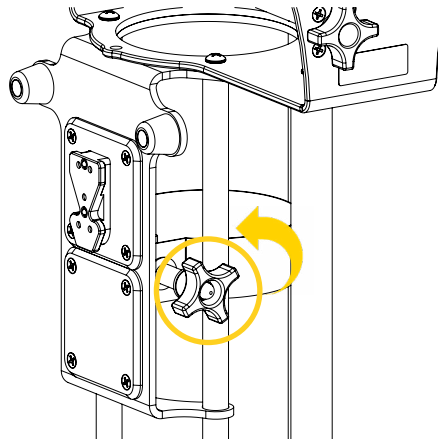


Figure 7: Loosening the retainer

4. Push on and hold down the knob of the locking rod, rotate it a $\frac{1}{4}$ turn counterclockwise to unlock the mounting bracket (Figure 8 A), then pull out the rod (Figure 8 B).

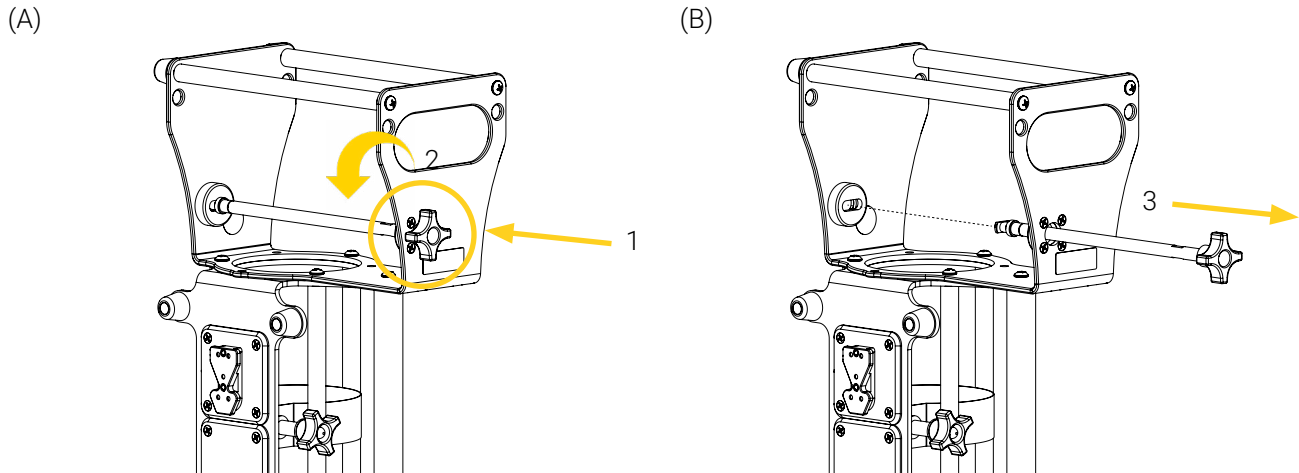


Figure 8: Unlocking the mounting bracket

- Carefully insert the gas cylinder vertically in the bracket and place it on the base plate, pressed against the positioning guides (Figure 9 A).
- Rotate the knob of the retainer clockwise until the gas cylinder is secured in the bracket (Figure 9 B).

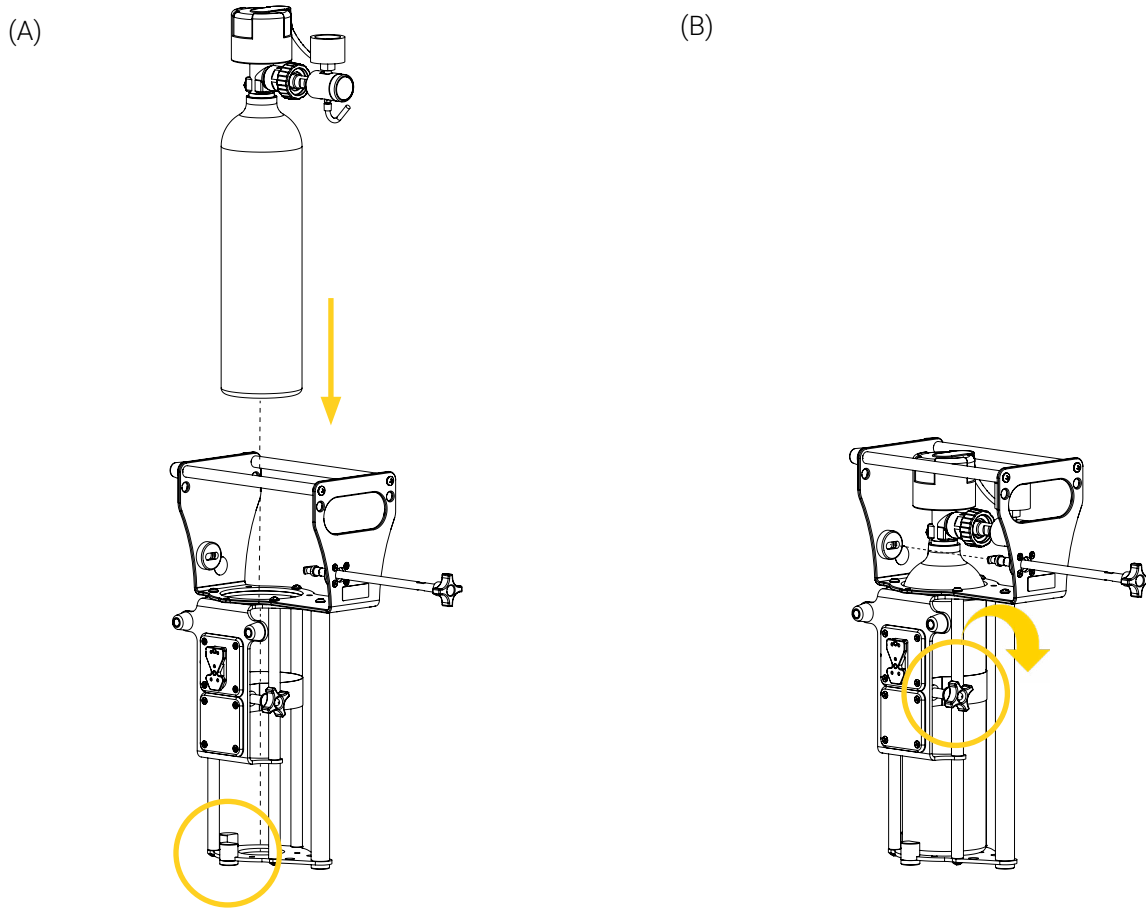


Figure 9: Installing the gas cylinder in the Techni-INO

7. Move the gas cylinder from side to side a few times to ensure that the retainer is tight enough. If the gas cylinder does not move in the mounting bracket after the verification, the retainer is tight enough.
8. Align and insert the end of the locking rod in the locking mechanism (Figure 10 A), push on and hold down the knob of the locking rod, then rotate it a ¼ turn clockwise to lock the mounting bracket (Figure 10 B).

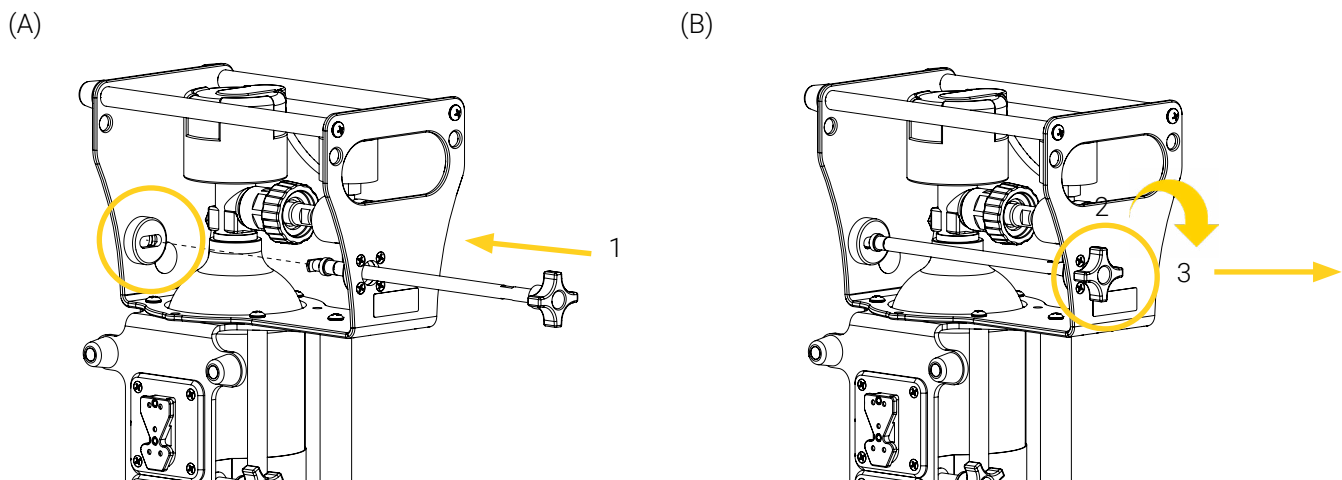


Figure 10: Locking the mounting bracket

9. Pull on the knob of the locking rod a few times to ensure that the mounting bracket is locked and that the gas cylinder is secured. If the end of the locking rod remains in the locking mechanism after the verification, the bracket is properly locked and the gas cylinder is secured.
10. Connect the tubing to the regulator, ensuring that it is positioned correctly. Refer to your established internal protocols, and the gas pressure regulator user documentation for the safety guidelines and safe use if needed.

The installation of the D-Size INOmax gas cylinder in the Techni-INO is complete.

7.2. Remove the D-Size INOmax gas cylinder from the Techni-INO

1. Remove the Techni-INO from the Flex Sequor. Refer to the Flex Sequor mounting system user manual if needed.
2. Disconnect the tubing from the gas pressure regulator, if needed. Refer to your established internal protocols, and the gas pressure regulator user documentation for the safety guidelines and safe use if needed.
3. Rotate the knob of the retainer counterclockwise to loosen the gas cylinder (Figure 11).

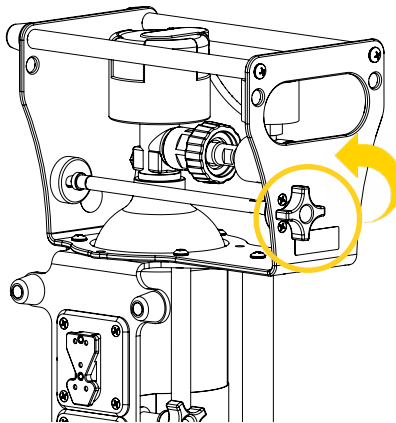


Figure 11: Loosening the retainer

4. Push on and hold down the knob of the locking rod, rotate it a ¼ turn counterclockwise to unlock the mounting bracket (Figure 12 A), then pull out the rod (Figure 12 B).

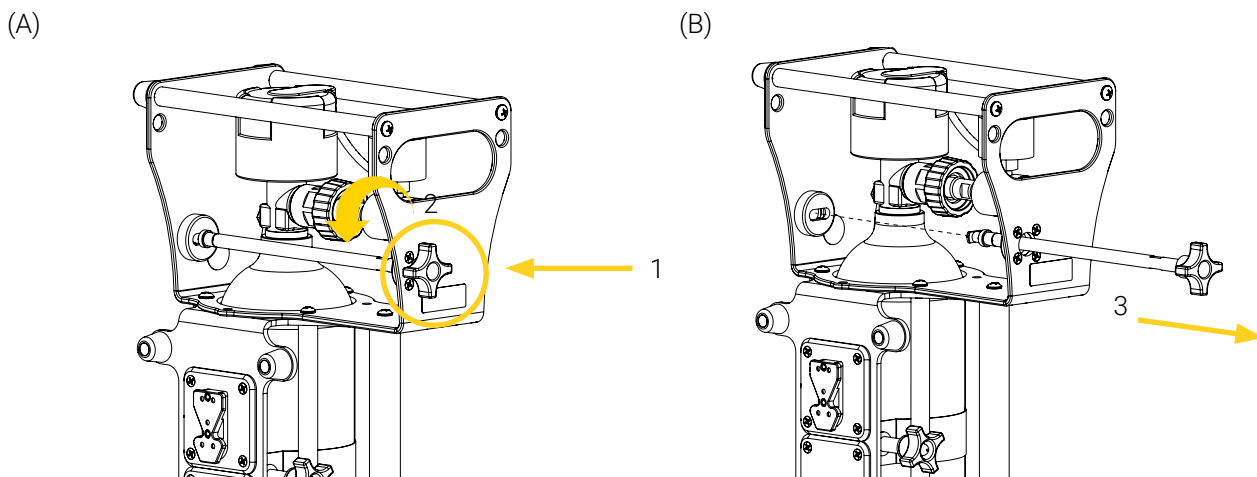


Figure 12: Unlocking the mounting bracket

5. Carefully lift and remove the gas cylinder vertically out of the mounting bracket (Figure 13), then momentarily place it on the floor, or place it in its dedicated storage space. Refer to your established internal protocols, and the gas cylinder user documentation for the safety guidelines and safe use if needed.

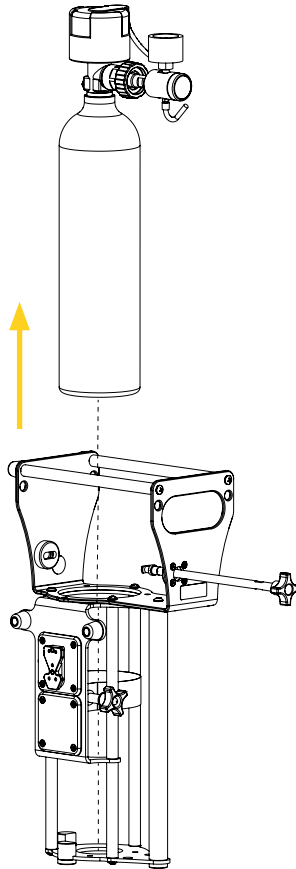


Figure 13: Removing the gas cylinder from the Techni-INO

The removal of the D-Size INOmax gas cylinder from the Techni-INO is complete.

8. Operate the Optional Accessories

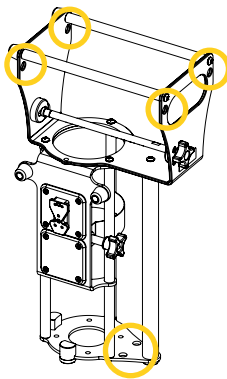


The content in this section is intended for personnel who have a proficient, expert or advanced level of competency. Refer to the « User Competency » section on page 5 if needed.

8.1. Install the PAX Shoulder Strap on the Techni-INO

Insert the clasps of the shoulder strap in two (2) of the six (6) eyelets (Figure 14). The chosen outlets will depend on your transportation needs and preferences.

(A)



(B)

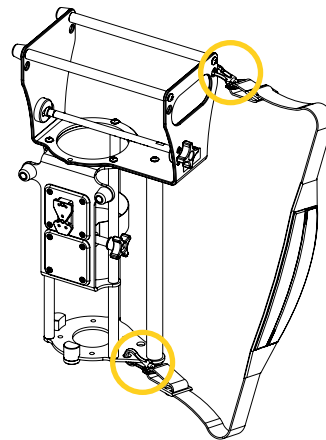
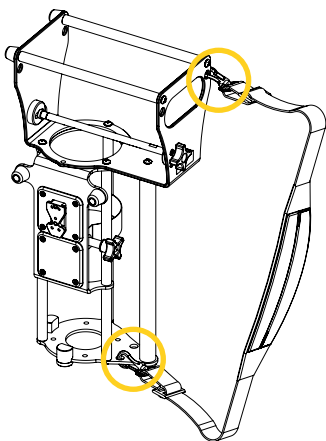


Figure 14: Installing the PAX shoulder strap

8.2. Remove the PAX Shoulder Strap from the Techni-INO

Remove the clasps of the shoulder strap from the Techni-INO (Figure 15). Set the strap aside, or place it in its dedicated storage space. Refer to your established internal protocols if needed.

(A)



(B)

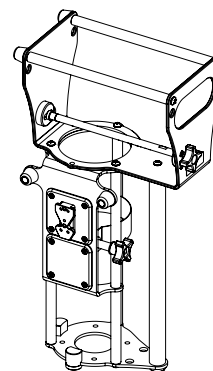


Figure 15: Removing the PAX shoulder strap

The removal of the PAX shoulder strap from the Techni-INO is complete.

8.3. Installation of the PAX Oxygen Bag(s) on the Techni-INO

1. Remove the Techni-INO from the Flex Sequor. Refer to the Flex Sequor mounting system user manual if needed.
2. For each accessory bag, align and loop the female and male linear fabric strips (2X) around the transport handle and the rod of the protective cage located at the front of the gas cylinder (Figure 16).

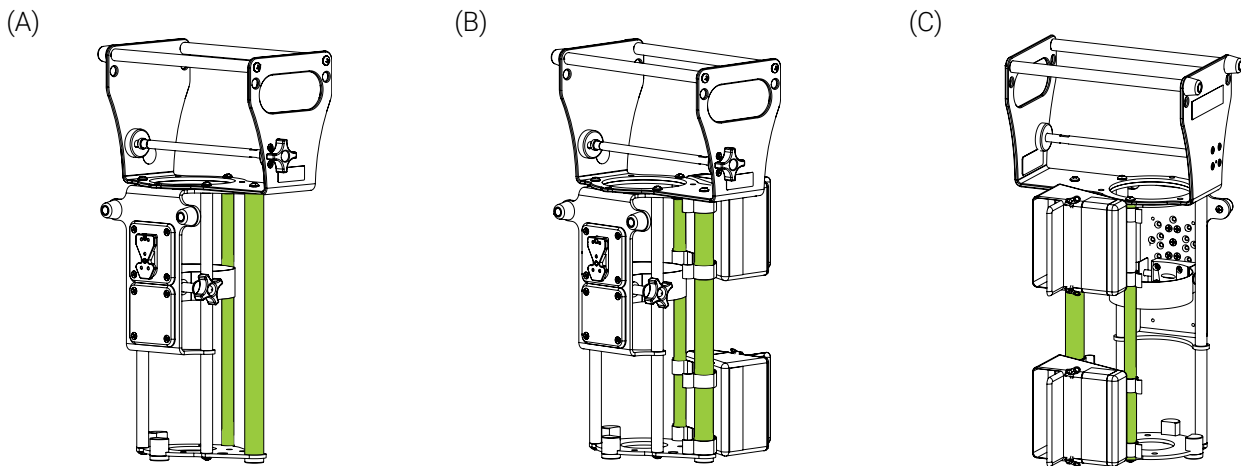


Figure 16: Installing the PAX oxygen bags

The installation of the PAX oxygen bag(s) on the Techni-INO is complete.

8.4. Removal of the PAX Oxygen Bag(s) from the Techni-INO

1. Remove the Techni-INO from the Flex Sequor. Refer to the Flex Sequor mounting system user manual if needed.
2. Detach the bag's linear fabric strips (2X) from the transport handle and the rod of the protective cage (Figure 17).

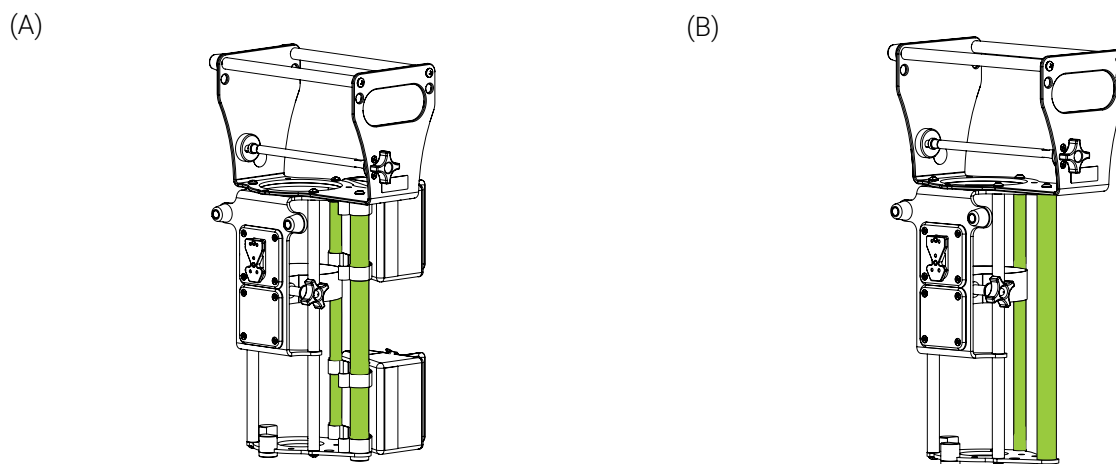


Figure 17: Removing the PAX oxygen bags

The removal of the PAX oxygen bag(s) from the Techni-INO is complete.

Annex I Skills Assessment of the EMS and clinical personnel



The content in this section is intended for personnel who have an expert level of competency. Refer to the « User Competency » section on page 5 if needed.

Following training, a skills assessment should be given to each member of the EMS and clinical personnel to ensure they have fully comprehended the labelling, warnings and cautions, potential risks, safe practices and proper operating procedures needed to safely and effectively use the Techni-INO. Consider adding the following to your internal training protocols.

Trainee name: _____ Unit: _____

Assessor name: _____ Date: _____

SKILLS ASSESSMENT		
SKILL CRITERIA	PASSED	FAILED
Labelling		
- Able to identify meaning and potential risks associated with the different safety labels:		
- Safe Working Load (SWL)	<input type="checkbox"/>	<input type="checkbox"/>
Safety Measures		
- Knows never to set and leave the gas cylinder on the floor vertically, even when it is secured in the Techni-INO, that it should be handled and stored with precaution, and to always refer to their existing internal protocols and the Safety Data Sheets (SDS) for safe handling, storage and emergency measures.	<input type="checkbox"/>	<input type="checkbox"/>
- Knows not to use the Techni-INO if there are any loose or missing screws.	<input type="checkbox"/>	<input type="checkbox"/>
- Knows to always use the Techni-INO as it was intended, using only the compatible gas cylinder and mounting systems, and that improper use of the Technimount product may cause unpredictable functioning.	<input type="checkbox"/>	<input type="checkbox"/>
- Knows to always pay close attention to the condition of the safety mechanisms and ensure they are functional before the Techni-INO is used for transport.	<input type="checkbox"/>	<input type="checkbox"/>
- Knows to always ensure that the Techni-INO is secured on the mounting clip of the Flex Secur before it is used for transport.	<input type="checkbox"/>	<input type="checkbox"/>
- Knows to always ensure that the locking rod is properly inserted in the locking mechanism before the Techni-INO is used for transport.	<input type="checkbox"/>	<input type="checkbox"/>
- Knows to always ensure that the gas cylinder is secured in the Techni-INO before it is used for transport.	<input type="checkbox"/>	<input type="checkbox"/>

SKILLS ASSESSMENT

SKILL CRITERIA	PASSED	FAILED
- Knows to always pay close attention not to wedge the tubing during the installation/removal of the gas cylinder and/or accessories, and to refer to their established internal protocols for the safety guidelines and safe use with the Techni-INO.	<input type="checkbox"/>	<input type="checkbox"/>
- Knows not to overload the Techni-INO.	<input type="checkbox"/>	<input type="checkbox"/>
- Knows to always read and abide by the safety guidelines identified and follow the instructions provided in the user documentation of the Techni-INO, the gas cylinder and/or the optional PAX accessories, to their established internal protocols, and to refer to the Safety Data Sheets (SDS) and the manufacturer's user documentation for the safety guidelines and safe use.	<input type="checkbox"/>	<input type="checkbox"/>
- Knows to always use the Techni-INO with compatible oxygen regulators.	<input type="checkbox"/>	<input type="checkbox"/>
Operation		
- Able to install/remove the D-Size INOmax gas cylinder in/from the Techni-INO.	<input type="checkbox"/>	<input type="checkbox"/>
- Able to install/remove the optional PAX shoulder strap on/from the Techni-INO, if applicable.	<input type="checkbox"/>	<input type="checkbox"/>
- Able to install/remove the optional PAX oxygen bag(s) on/from the Techni-INO, if applicable.	<input type="checkbox"/>	<input type="checkbox"/>
- Has practiced safely operating the Techni-INO, has perfected the manipulations and has acquired the required skill level to safely use with patient.	<input type="checkbox"/>	<input type="checkbox"/>

Annex II Unpack the Techni-INO



The content in this section is intended for personnel who have an advanced level of competency. Refer to the « User Competency » section on page 5 if needed.

1. Inspect the shipping box(es) for signs of damage before accepting shipment. Take pictures and report them promptly if applicable.
2. Move the shipping box(es) to the location of the installation.
3. Open the shipping box(es).
4. Unpack the box(es) and ensure that all shipping and packaging materials have been properly removed, prior to installation.

NOTE : Keep all packaging material for future use.

5. Identify the items included in the shipping box, then set them aside.
6. Inspect the items for signs of damage. Take pictures and report them promptly if applicable.

Annex III Modify the Mounting Clip Orientation



The content in this section is intended for personnel who have an advanced level of competency. Refer to the « User Competency » section on page 5 if needed.

NOTE : There are several different ways to install the Techni-INO on the Flex Sequor mounting system. Refer to the Flex Sequor user manual for the compatible installation configurations and mounting clip orientations, if needed. The operation, installation and removal steps illustrated herein are for comprehension purposes, and apply to all the compatible installation configurations and mounting clip.

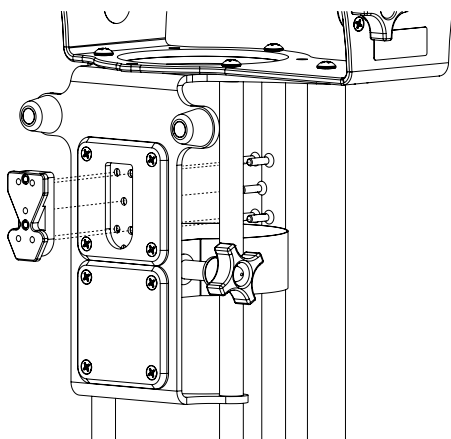
Required Tools

- Phillips-head screwdriver #2
- Torque wrench
- Medium strength thread lock adhesive (🔩)

Modify the Mounting Clip Orientation

1. Remove the Techni-INO from the Flex Sequor. Refer to the Flex Sequor mounting system user manual if needed.
2. Remove the D-Size INOmax gas cylinder from the Techni-INO. Refer to the « Remove the D-Size INOmax gas cylinder from the Techni-INO » section on page 24.
3. Unscrew and remove the mounting clip using a Phillips screwdriver #2 (Figure 18). Set aside the five (5) screws temporarily.

(A)



(B)

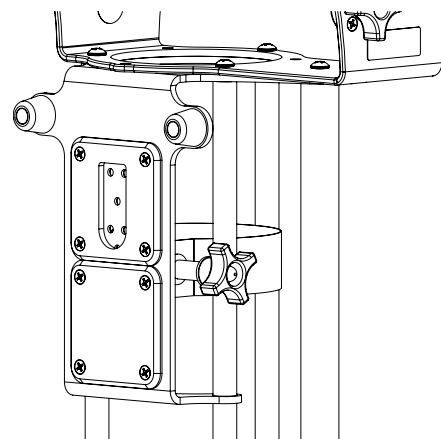


Figure 18: Removing the mounting clip

4. Unscrew and remove the anchor plate using a Phillips screwdriver #2 (Figure 19). Set aside the four (4) screws temporarily.

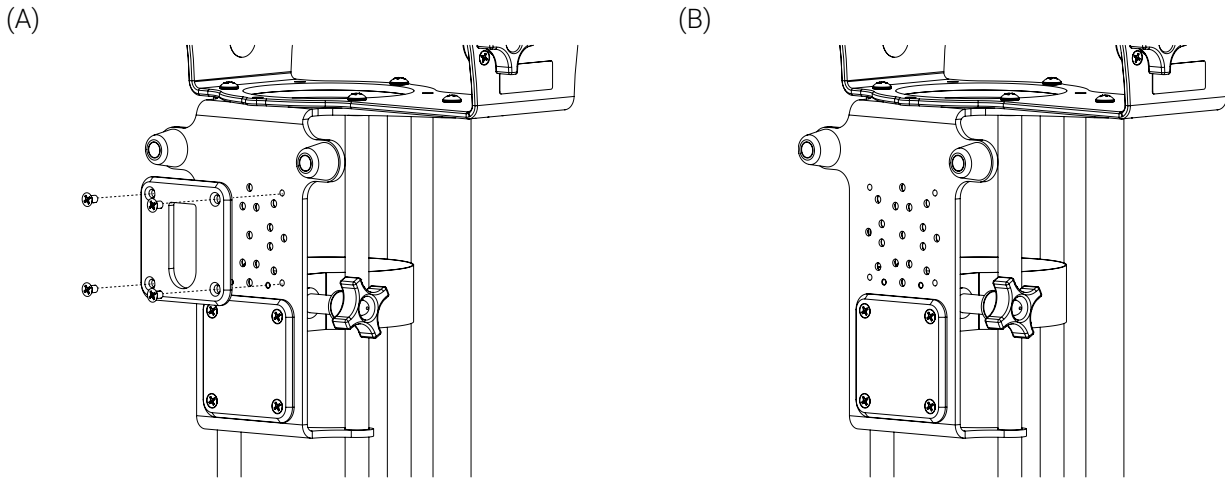
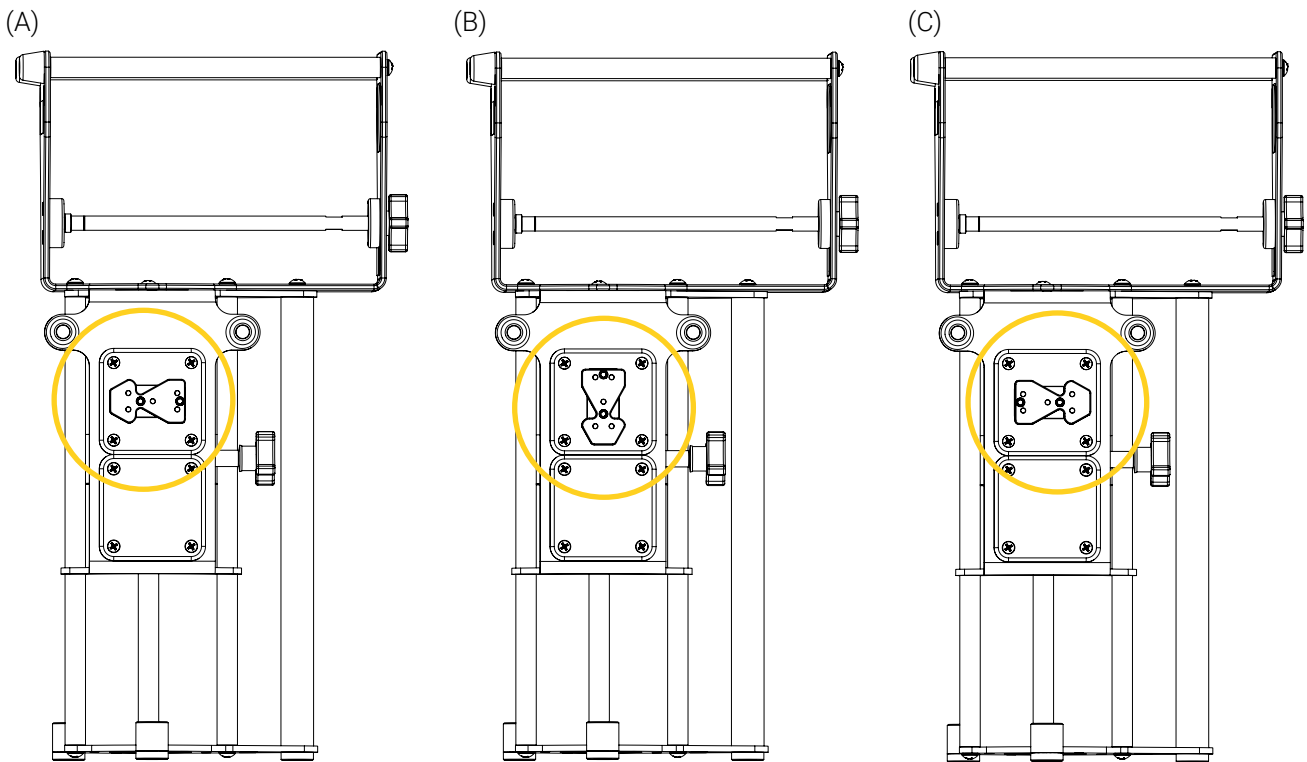


Figure 19: Removing the anchor plate

5. Rotate the anchor plate clockwise or counter clockwise in one (1) of the three (3) compatible mounting clip positions (Figure 20). Refer to the Flex Secur mounting system user manual if needed.



Techni-INO installed on the mounting system by the left and towards the right

Techni-INO installed on the mounting system by the top

Techni-INO installed on the mounting system by the right and towards the left

Figure 20: Compatible mounting clip orientations

6. Re-install the anchor plate re-using the four (4) screws (previously removed in step 4) coated with medium strength thread lock adhesive and a Phillips screwdriver #2 (Figure 21).

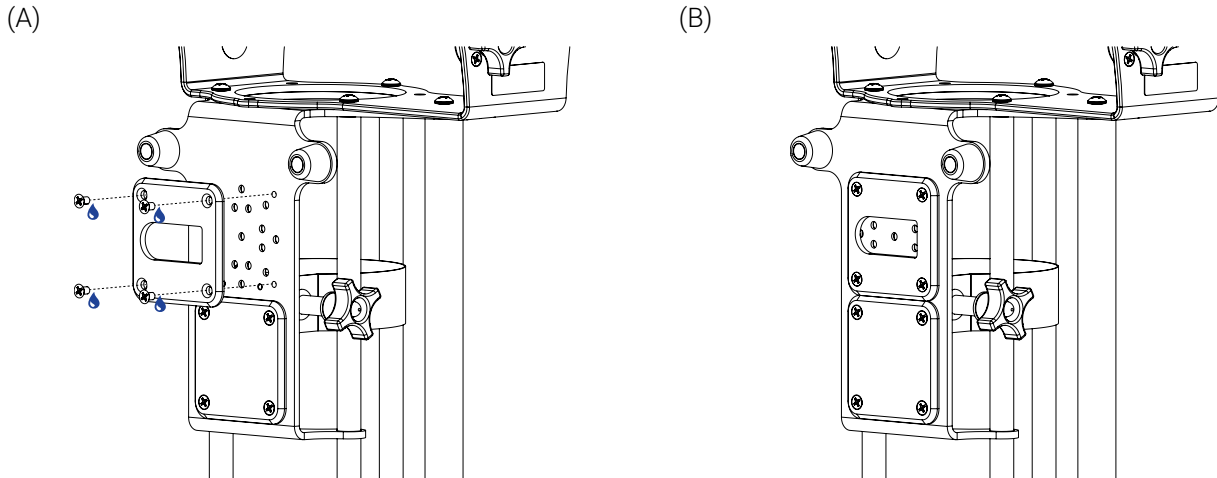


Figure 21: Re-installing the anchor plate

7. Move the anchor plate from side to side a few times to ensure that it is properly secured on the Techni-INO. If the anchor plate does not move after the verification, it is properly secured.
8. Re-install the mounting clip re-using the five (5) screws (previously removed in step 3) coated with medium strength thread lock adhesive, using a Phillips screwdriver #2, and a torque wrench (Figure 22).

NOTE : Tighten all five (5) screws to 30 in.-lb using a torque wrench.

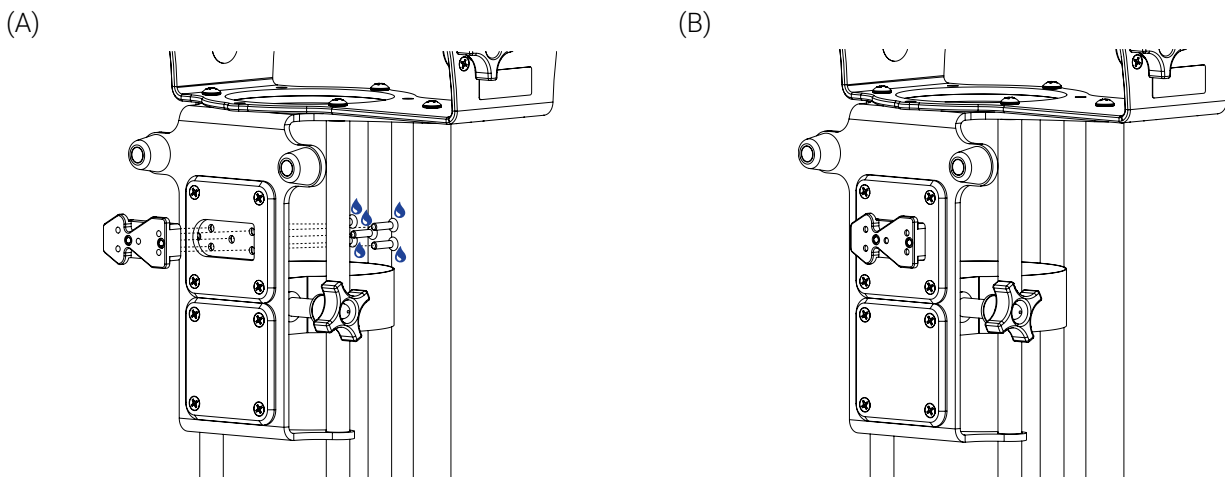


Figure 22: Re-installing the mounting clip

9. Move the mounting clip from side to side a few times to ensure that it is properly secured on the Techni-INO. If the mounting clip does not move after the verification, it is properly secured.

The modification of the mounting clip orientation is complete.

Annex IV Maintenance



The content in this section is intended for personnel who have an advanced level of competency. Refer to the « User Competency » section on page 5 if needed.

Factors such as weather, environment, geographical location and individual usage will necessitate different needs. For the maintenance of the Techni-INO, follow the guidelines listed herein and in accordance with your service's current maintenance practices and established internal protocols. Please contact Technical Support at techsupport@technimount.com for replacement parts or repair related issues, if needed.



WARNING – General Warning

- **Do not** perform safety checks or condition-based maintenance before having read the entire « Safety Measures » section on page 11, and the maintenance specific safety measures in this section, have read the entire content of the user manual, have gained in-depth knowledge and product comprehension, and have familiarized yourself with the standards and guidelines.
- Safety checks and a condition-based maintenance plan are required and should be established for all Technimount products.
- Perform the safety checks and maintenance operations as described herein. Failing to follow the recommended maintenance plan or its guidelines could cause premature damage to the product.
- Use only Technimount parts, maintenance procedures, cleaning solutions and lubricants (if applicable), as described herein. Using unapproved modified parts or procedures for the maintenance of the Technimount product may cause the system to be unstable and could cause injury to the patients or EMS and clinical personnel and void the product warranty.
- Replace damaged or worn-out parts if past their expected service life or when damaged (refer to the « Replacement Parts/Kits » section on page 43). Recycle damaged parts or dispose according to the environmental laws that apply to your jurisdiction and consult the Safety Data Sheets (SDS).



CAUTION – Safe Handling and Operation

- **Do not** use unauthorized, untested or unapproved cleaning products and disinfectants to perform condition-based maintenance, to avoid damaging the surface of your Technimount product and void the warranty. Technimount will not be held liable for damages resulting from the use of an unauthorized, untested or unapproved cleaning product.
- **Do not** use powered tools to screw the hardware during installation, as there is a risk of damage to the threads.
- **Do not** steam clean or use ultrasonic cleaners on the system or any of its components.
- **Do not** immerse the metal parts/components in water.
- To spot clean, the maximum water temperature should not exceed 82° C (180° F). The maximum water pressure should not exceed 1500 psi/103.5 BAR. If using a high pressure washer, the pressure nozzle must be kept a minimum of 609.6 mm (24 in.) from the product.
- When cleaning, always use the appropriate Personal Protection Equipment (PPE) based on your established internal protocols (e.g., gloves, eyewear, etc.).

**CAUTION – Corrosion**

- Always rinse and dry the Techni-INO components properly after using cleaning products. Certain types of cleaners may leave a corrosive residue on the surface of the product and could cause the premature corrosion of critical components. Refer to the product Safety Data Sheets (SDS) for chemical information or handling, storage and emergency measures in case of accident.
- Dispose of corrosive wastes according to the environmental laws that apply to your jurisdiction and consult the Safety Data Sheets (SDS).

**CAUTION – Follow Instructions for Use**

Always read and abide by all the safety guidelines identified, as well as follow all of the instructions provided by the manufacturer of the cleaning product.

Maintenance Frequency

- Safety checks and the condition-based maintenance should be performed minimally every month or as frequently needed, to prolong the longevity of the Techni-INO in optimal conditions.
- Decontaminate the Techni-INO as recommended in your established internal protocols, as well as the regulations and standards in virtue of the infection prevention and control procedures.

Required Tools

- Clean and dry cloth
- Soft brush
- Pressure washer
- Cleaning solutions
- Phillips-head screwdriver #2
- Medium strength thread lock adhesive (💧)
- Torque wrench
- $\frac{5}{32}$ in. hex key
- $\frac{3}{8}$ in. open end wrench
- $\frac{7}{16}$ in. ratcheting socket wrench
- High strength thread lock adhesive (🔥)

Tested and Approved Cleaning Solutions

- Oxivir, 5% Hydrogen Peroxide with Peracetic Acid (AHP)
- Lavo 12, 10 000 ppm Sodium Hypochlorite
- TNT-100, 5% Quaternary Ammonium Compound
- Spectro-Sept, 5% Ethyl Alcohol
- Spectrol, 5% EDTA salt

Maintenance Plan

1. Check the boxes upon completion of the « Safety Checks » section on page 39 and « Condition-Based Maintenance » section on page 40, then add your comments and/or observations in the « Maintenance Log » section on page 41 if needed. In case of a non-conformity, immediately stop using the Techni-INO and contact Technical Support at techsupport@technimount.com for a remedial action plan.
2. Keep records of your maintenance activities.

SAFETY CHECKS

CHECKED

Techni-INO (Figure 23)

- Visually inspect all the components of the Techni-INO to ensure that the hardware is in good condition and there are no loose screws.
 - *If the hardware is not in good condition, replace it. Contact Technical Support if needed.*
 - *If the screws are loose, tighten them. Contact Technical Support if needed.*
- Visually inspect all the components of the Techni-INO to ensure there is no chemical attack.
 - *If there are traces of chemical attack, clean the mounting bracket. Refer to the « Condition-Based Maintenance » section on page 40 if needed.*
- Rotate the knob of the locking rod and the knob of the gas cylinder retainer clockwise and counterclockwise a few times to ensure proper functioning.
 - *If the knobs does not easily turn in both directions, there is a non-conformity.*
- Lock/unlock the locking rod a few times to ensure proper functioning of the mechanism.
 - *If the end of the locking rod does not easily insert in the locking mechanism and lock when turning the knob ¼ of a turn clockwise, and/or easily unlock or cannot be removed when rotating the knob ¼ of a turn counterclockwise, there is a non-conformity.*
- Install the gas cylinder in the Techni-INO and move it from side to side and back and forth a few times to ensure proper functioning of the gas cylinder retainer and locking rod.
 - *If the gas cylinder can move in the mounting bracket after having tightened the retainer over the gas cylinder and locked the mounting bracket using the locking rod, there is a non-conformity.*
- Install the Techni-INO in the Flex Sequor and remove it a few times to ensure proper functioning of the safety mechanism of the mounting system.
 - *If the mounting clip located at the back of the bracket does not easily insert in the mounting system and does not lock, and/or cannot be easily removed when using the quick release button of the mounting system, there is a non-conformity.*
- Look at the manufacturing label to ensure that your Techni-INO has not passed its expected service life. Refer to the « Labels » section on page 10 and the « Technical Specifications » section on page 13 if needed.
 - *If the estimated period of safe and reliable use has passed, there is a non-conformity.*

CONDITION-BASED MAINTENANCE**CHECKED**

Clean the Techni-INO, after you have completed the safety checks:

1. Remove the excess dirt using a clean cloth, if needed.
2. Remove the contaminants using a pressure washer or as recommended in your established internal protocols and control procedures.
3. Clean using a cloth and cleaning solution.
4. Spot clean stains by applying the solution directly on the stain and let sit on the surface, if needed.

NOTE : Avoid over saturation and ensure that the product does not sit on the surface of the Techni-INO components longer than recommended by the cleaner's manufacturer.

5. Thoroughly rinse the solution with a clean cloth dampened with lukewarm water, then dry all the components using a clean cloth before returning to service.

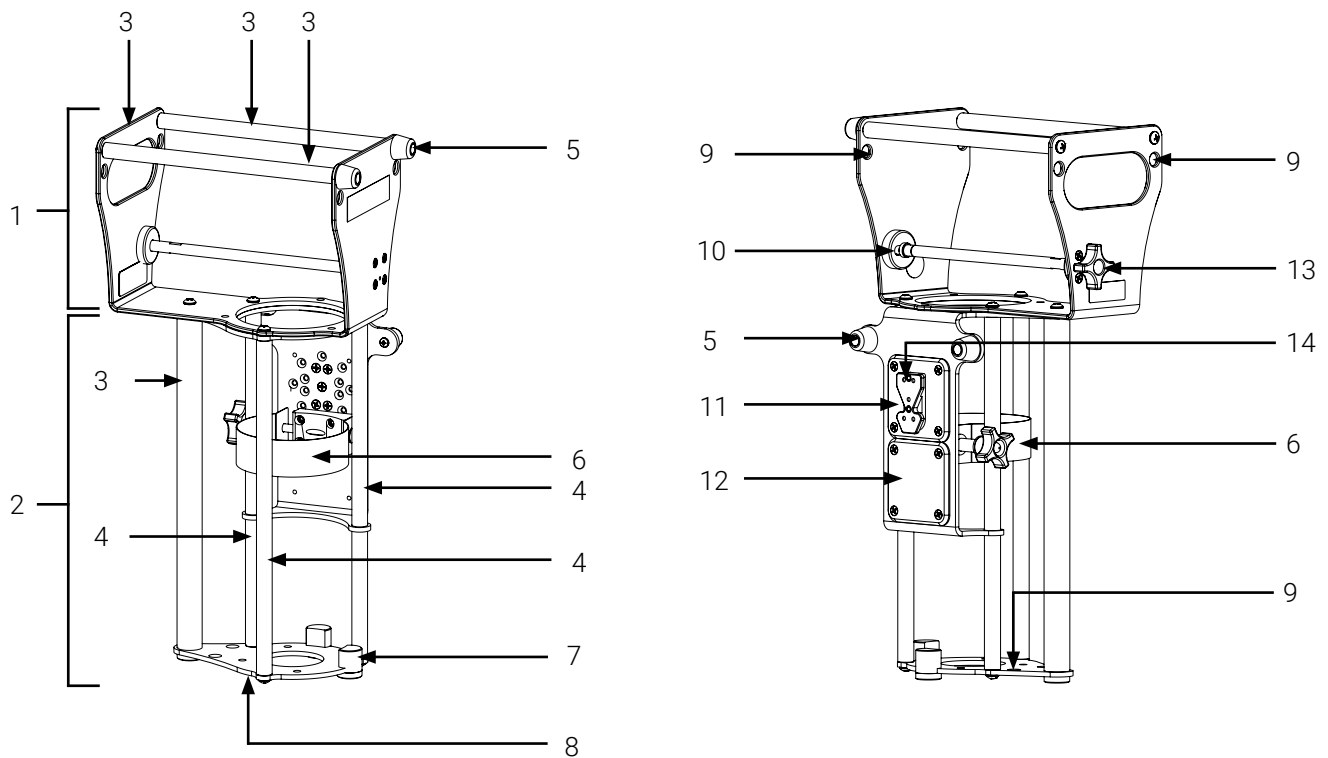
MAINTENANCE LOG

Add your comments and/or observations, after you have completed the safety checks and Condition-Based Maintenance, if needed:

Maintenance plan completed on (dd/mm/yyyy):

Maintenance plan completed by:

Illustrated Inspection Points



- | | |
|---|--|
| 1. Gas pressure regulator protector | 8. Base plate |
| 2. Gas cylinder protective cage | 9. Eyelet for the optional shoulder strap (6X) |
| 3. Transport handle (4X) | 10. Locking mechanism (locking rod with knob) |
| 4. Rod (gas cylinder protective cage; 3X) | 11. Anchor plate (mounting clip) |
| 5. Foot (4X) | 12. Guiding plate |
| 6. Gas cylinder retainer with knob | 13. Locking rod with knob |
| 7. Positioning guide (2X) | 14. Mounting clip |

Figure 23: Illustrated inspection points

Annex V Replacement Parts/Kits



The content in this section is intended for personnel who have an expert and advanced level of competency. Refer to the « User Competency » section on page 5 if needed.

Technimount reserves the right to change part numbers and products without notice. Please contact Customer Service at customerservice@technimount.com to ensure product options and availability, or Technical Support at techsupport@technimount.com for replacement parts/kits or repair related issues.

REFERENCE # (FIGURE 23)	PART/KIT #	PART/KIT DESCRIPTION
5	923-00-75-INS	¾ in. acetal foot (hardware included)
6	9018-00-TO2	Gas cylinder retainer with knob
7	9017-00-TO2-PG	Positioning guide
10	9017-00-TNO	Locking rod with knob
N/A	3430-21-UN	PAX shoulder strap
N/A	3430-20-PX	PAX oxygen bag



TECHNIMOUNT
EMS[®]

SAFETY AND FLEXIBILITY
WHERE IT MATTERS MOST