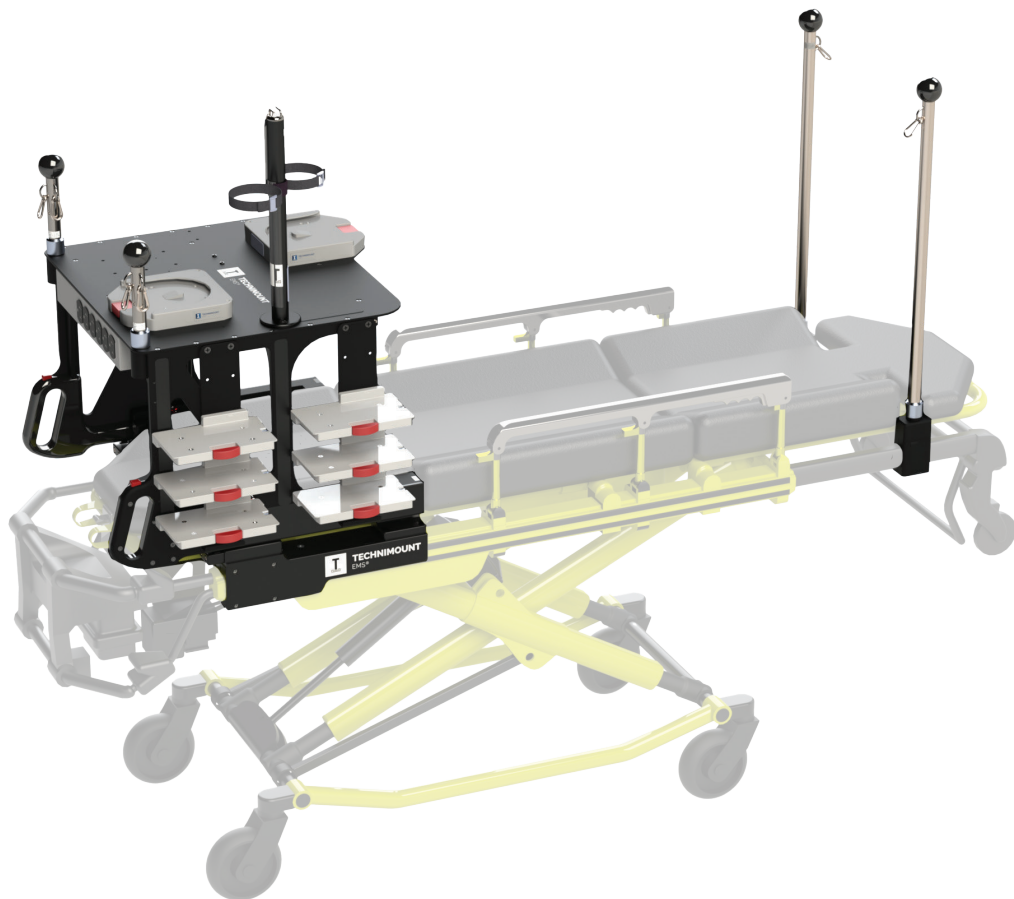




TECHNIMOUNT
EMS®

XTENSION PRO® ASSISTANT - CCT PRODUCT LINE

MEDICAL DEVICE MANAGEMENT STRETCHER SYSTEM
FOR GROUND TRANSPORT



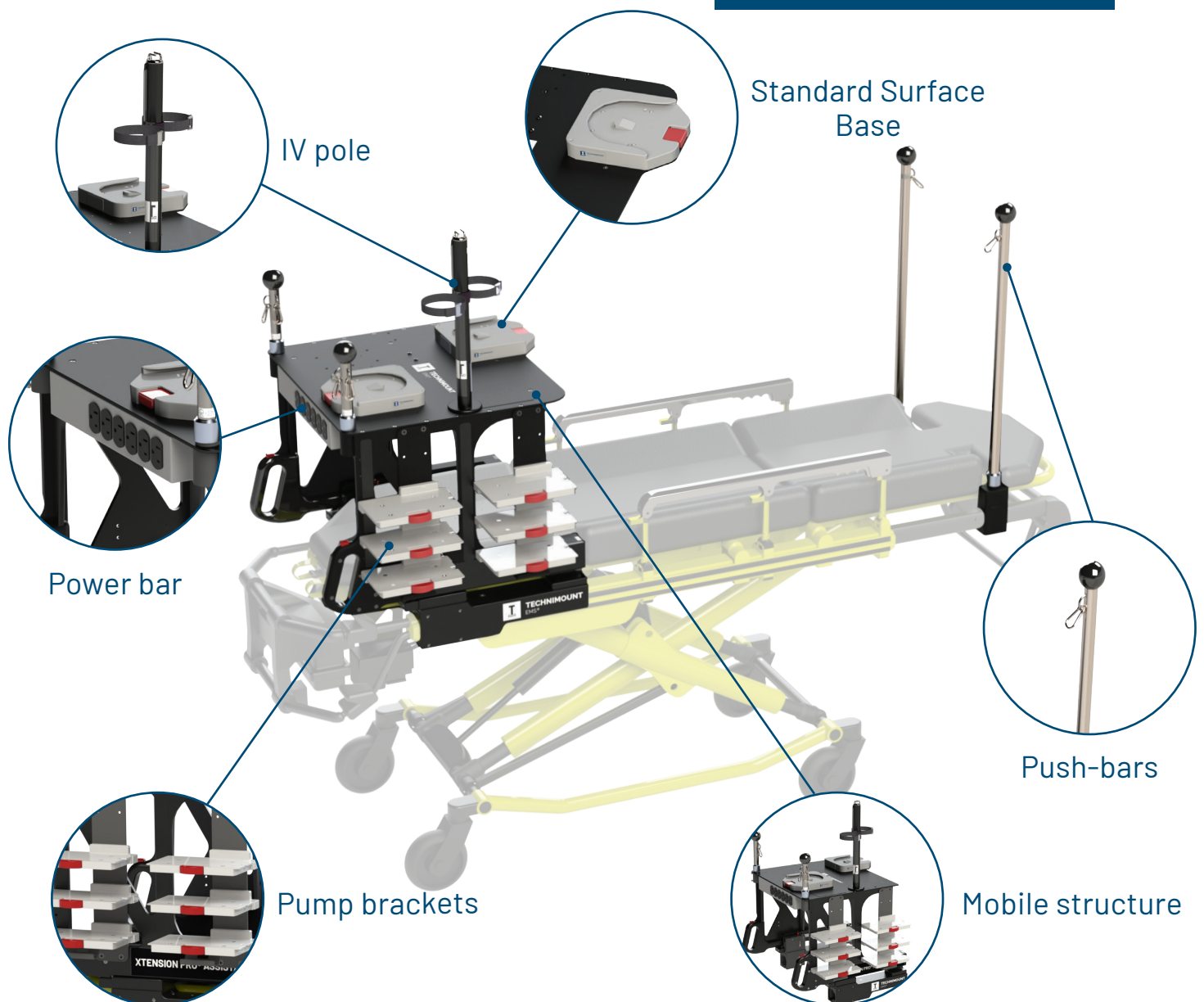
SAFETY AND FLEXIBILITY
WHERE IT MATTERS MOST

XTENSION PRO[®] ASSISTANT - CCT

Product Line

The Xtension Pro Assistant - CCT product line offers a range of configurations designed to support EMS crews and healthcare professionals in the safe transport of multiple medical devices on a stretcher during critical care ground transport. It enhances patient care continuity while optimizing device organization and accessibility in high-pressure environments.

Built with a robust and durable mobile structure, the Xtension Pro Assistant - CCT integrates Standard Surface Bases that enable seamless device interchangeability, ensuring the system can adapt and evolve with changing clinical needs.



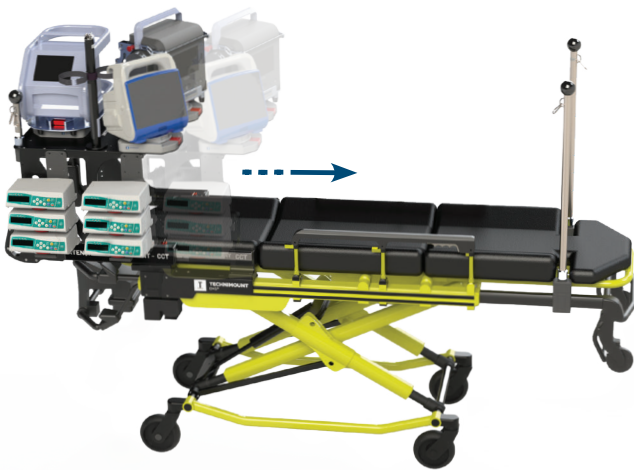
XTENSION PRO[®] ASSISTANT - CCT

Product line

FEATURES & BENEFITS

- Tested in compliance with SAE J3043 & AMD-028, meeting the highest safety standards in the industry.
- Gliding, removable structure for smooth lateral patient transfers and easy maintenance.
- Standard Surface Bases for controlled orientation of devices, ensuring continuous screen visibility and access for accurate patient monitoring.
- Quick release mechanism on different mounting points enables fast device interchangeability and easy repositioning.
- Push bars at the head end of the stretcher for improved maneuverability during patient transport.
- Centralized mounting of multiple infusion pumps for simplified management.
- Integrated crash-tested IV pole, carabiners, and power bar ensure continuous care with organized cabling and reliable power during transport.

Deployed Mobile Structure
- Lateral patient transfer



Locked Mobile Structure
- Transport position



XTENSION PRO[®] ASSISTANT - CCT

ST1 & ST2 Configurations

Compatible Medical Devices

DEFIB/MONITORS



ZOLL[®]

VENTILATORS



Ventec[®]

Or



Hamilton Medical[®]

PUMPS



B. Braun[®]

Or



Baxter[®]

Or



Eitan Medical[®]

Configurations ST1 & ST2 both feature:

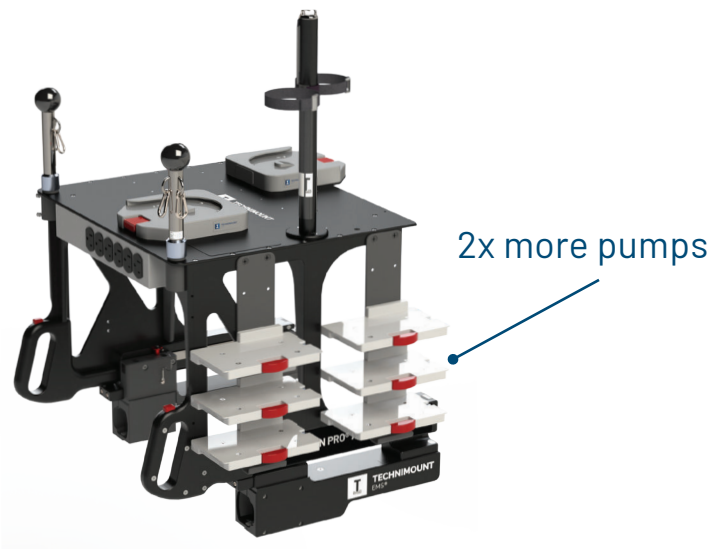
- 2 Standard Surface Bases
- 4 push bars (2 head end, 2 foot end)
- 3-4 pump brackets (ST1)
- 6-8 pump brackets (ST2)



Xtension Pro Assistant - CCT/ST1



Xtension Pro Assistant - CCT/ST2



XTENSION PRO[®] ASSISTANT - CCT

Max1 & Max2 Configurations

Compatible Medical Devices

DEFIB/MONITORS



ZOLL

Or



Stryker[®]

VENTILATORS



Ventec

Or



Hamilton Medical

PUMPS



B.Braun

Or



Baxter

Or



Eitan Medical

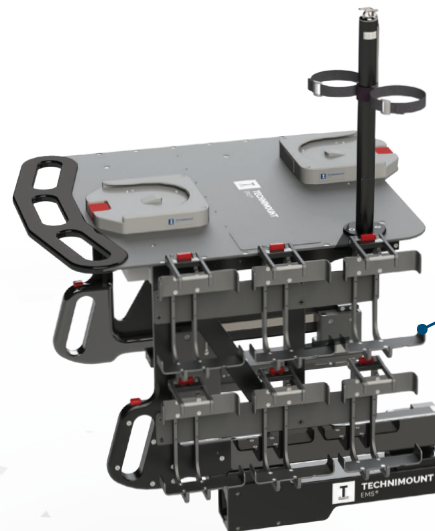
Configurations Max 1 & Max 2 both feature:

- 2 Standard Surface Bases
- Foot-end integrated handles to maximize device space
- 2 push bars at the head-end of the stretcher
- 3-4 pump brackets (Max1)
- 6-8 pumps brackets (Max2)



Xtension Pro Assistant - CCT/Max1

Xtension Pro Assistant - CCT/Max2



2x more pumps

XTENSION PRO[®] ASSISTANT - CCT

ECMO Configuration

Compatible Medical Devices

ECMO



Getinge[®]

DEFIB/MONITORS



ZOLL

VENTILATORS



Ventec

Or



Hamilton Medical

PUMPS



B.Braun

Or



Baxter

Or



Eitan Medical

Configuration ECMO features :

- 3 Standard Surface Bases
- 4 push bars (2 head end, 2 foot end)
- 6-8 pump brackets



Xtension Pro Assistant - CCT/ECMO



XTENSION PRO[®] ASSISTANT - CCT

iNO Configuration

Compatible Medical Devices

NITRIC OXIDE



Airliquide

&



Type D
Cylinder

Or

ECMO



Getinge

DEFIB/MONITORS



ZOLL

VENTILATORS



Hamilton Medical

Or



Ventec

PUMPS



B.Braun

Or



Baxter

Or



Eitan Medical

Configuration iNO features :

- 3 Standard Surface Bases
- 4 push bars (2 head end, 2 foot end)
- 6-8 pump brackets
- Type D Cylinder Holder and Harness



Xtension Pro Assistant - CCT/iNO





TECHNIMOUNT EMS®

At Technimount EMS, our dedication revolves around addressing the operational requirements of EMS and healthcare professionals, deeply embedded in our mission. Originating in 2013, the Technimount EMS mounting system was conceived to promptly meet a critical demand within the industry. Our company's distinct vision commenced with the introduction of a universal standard surface base, coupled with meticulously designed brackets featuring advanced safety attributes tailored for a myriad of medical devices.

Leveraging our unparalleled universal mounting system, capable of accommodating multiple brands, models, and applications of medical equipment, we facilitate seamless integration within ambulances, stretchers, and cots across hospital, EMS, and military settings.

Driven by innovation, Technimount EMS is committed to design solutions that precisely address the distinctive device management requisites of emergency and critical care transport teams, whether on ground or in air ambulances. Safety stands as the cornerstone of our values, with all our solutions undergoing rigorous testing to adhere to the highest industry standards for impact resistance. Our unwavering commitment extends to continuously developing cutting-edge solutions in tandem with the evolution of healthcare practices.

Technimount E.M.S. Holding INC.

Corporate Headquarters

3770 Jean Marchand Street, Suite 100-C

Quebec (QC) G2C 1Y6

Canada

T +1581.700.6583

TF +1888.521.0871

info@technimount.com

technimount.com



Bracket Pro Serie, Technimount EMS are Registered Trademarks of Technologies CGC Inc.

All medical device product and company names are trademarks™ or registered® trademarks of their respective holders.

© 2026 Technimount EMS Holding Inc. - All Rights Reserved - Printed in Canada

BR-XTPA-CCT-202604-EN-01