

TECHNIMOUNT

SYSTEM

SAFETY ARM SYSTEM™
Model 500 - Stryker
For cot/stretcher installation



USER'S MANUAL

SAFETY ARM SYSTEM™

FOR TECHNICAL ASSISTANCE CALL: **1.581.998.9820**



English version

TABLE OF CONTENTS

SYMBOLS AND DEFINITIONS..... 3
SYMBOLS 3
WARNING / CAUTION / SAFETY NOTE 5

INTRODUCTION..... 6
PRODUCT DESCRIPTION 6
INTENDED USE OF PRODUCT 6

SPECIFICATIONS 7
CONTACT INFORMATION 9
PRODUCT ILLUSTRATION 10

SUMMARY OF SAFETY PRECAUTIONS..... 12
PINCH POINTS 15

SET UP PROCEDURES 16
TOOL RECOMMENDED 17
SETTING THE COT FOR THE INSTALLATION 18
REMOVE THE IV POLE: 19

SAFETY ARM SYSTEM INSTALLATION 20

OPERATING GUIDELINES 25
PROPER LIFTING TECHNIQUES..... 26
PROPER HANDLING POSITIONS..... 27

OPERATING THE SAFETY ARM SYSTEM 28

CLEANING 32
CLEANING SOLUTIONS..... 33

PREVENTIVE MAINTENANCE 34

QUICK REFERENCE REPLACEMENT PARTS 38





CERTIFICATION – TESTING 39

WARRANTY..... 40

RETURN POLICY..... 42
TECHNIMOUNT RETURN POLICY 42
RETURN AUTHORIZATION 42
DAMAGED MERCHANDISE 42

SYMBOLS AND DEFINITIONS

SYMBOLS

	<p>Attention, consult accompanying documents, or special attention</p>
	<p>Safe working load symbol</p>
	<p>Pinch point</p>
	<p>Load balance symbol</p>

Locking pin: The safety pin is the stainless tubing with a ring, uses to lock or secure the « Safety Arm System » into the clamp box. It cross the arm and lock the arm with the clamp box; shown in picture 1. There is an option for a red pin.



Picture 1: lock pin with red color



Picture 1: lock pin with no color

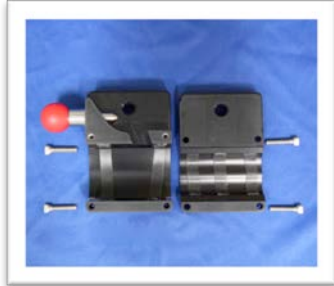
Safety pin: The safety pin is the red handle mechanism uses for locking the arm on the upper position; shown in picture 2.



Picture 2: safety pin with red handle

SYMBOL AND DEFINITION (Continued)

Clamp box: The clamp box is the two (2) parts metal system attached on one side of the frame of the cot, in order to install the arm. The two sections are attached with four (4) bolts; shown in picture 3.



Picture 3: Clamp box uninstalled



Picture 4: Clamp box assembly

Arm support: The arm support is the arm that supports the base mount. It is installed into the clamp box with the safety pin & the locking pin; shown in picture 5.



Picture 5: Safety Arm standard black



Picture 6: Safety Arm yellow colored

Spacer: The black nylon spacer should be installed between the clamp box and the cot plate frame support, with some specific model. It may be not part of your package, depending of the model.

Note:

Options available with the product:

1. The locking pin can be available in red color; chemical process is applied for coloring the stainless pin; for long duration.
2. Safety Arm can also be available on different color as an option; blue, yellow an red can be offered; the black color is the base color; stain and scratch resistance based on anodization process.

WARNING / CAUTION / SAFETY NOTE

The word warning, caution, note carry special meaning and should be carefully reviewed.



WARNING

Alerts the reader about a situation which, if not avoided, could result in death or serious injury. It may also describe potential serious adverse reactions and safety hazards.



CAUTION

Alerts the reader of a potentially hazardous situation, which, if not avoided, may result in minor or moderate injury to the user or patient or damage to the equipment or other property. This includes special care necessary for the safe and effective use of the device and the care necessary to avoid damage to a device that may occur as a result of use or misuse.

NOTE

Provides special information to make maintenance easier or important instructions clearer.

INTRODUCTION

This manual is designed to assist you with the operation and maintenance of the **Technimount Safety Arm System™**, model 500. Read this manual thoroughly before using the equipment or beginning maintenance on it. To ensure safe operation of this equipment, it is recommended that methods and procedures be established for educating and training staff on the safe operation of this product.

PRODUCT DESCRIPTION

The Technimount Model 500, **Safety Arm System™** is a manual mounting system cot that consists of a platform mounted on a pivoting arm installed with a clamp box on a side frame of the cot, designed to support and transport a medical equipment of a maximum weight of 65 lb. in pre-hospital and hospital environments. The device is collapsible for use in emergency vehicles with cot/stretcher and has two (2) adjustable positions to allow the medical device to be set to different position during loading and unloading the patient on the cot.

The *Safety Arm System™* is equipped with a **safety locking** mechanism to secure the position on the using or transportation position, or the lower (evacuation – installation) position of the patient. Additionally, it uses a **locking pin** with a ring handle, in order to secure the arm, in case of an unlock position of the locking pin. It may be remove in less than 5 seconds in case of emergency.

Once combined with the surface base mounting system (Bracket Pro™ 20, 25, 30, 35 or 40) it allows the medical crew to see and use the unit during transportation and evacuation situation.

INTENDED USE OF PRODUCT


The *Safety Arm System™* is a secure mounting system for medical device, designed to be installed on a cot/stretcher (specific models) is intended to support and transport the medical equipment during a medical intervention of a traumatized, ambulatory or non-ambulatory human patient (includes infants and adults).

The upper position is designed to use the medical device and transport the patient and perform normal tasks by medical personal. The lower position (*evacuation position*) is the lower position, designed to load or unload the patient on the cot; and not design to be used during the movement or displacement of the cot.

Once the arm is on the upper position it facilitates the transportation of associated medical equipment (i.e. oxygen bottles, and/or pumps) in emergency/transport vehicles. The use of the Safety Arm System is done with an ambulance cot, and the intended operators of the device are trained professionals including emergency medical service and medical care center personnel, as well as medical first responders. The expected service life of the product is 5 years, or more.

The *Safety Arm Systems* are intended for transportation purposes. They are not intended for more than one unit or additional equipment attached to. They are also not intending to be used simultaneously with other devices, or other medical equipment not supported or approved by Technimount.

SPECIFICATIONS

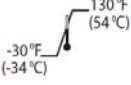

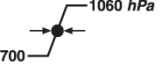
Brand cot models available	STRYKER MODEL
 <p>Safe Working Load Note: Safe Working Load indicates the sum of the medical device and accessory weight.</p>	65 lbs.
CHARACTERISTICS of the product	MODEL 500
Cot/Stretcher compatibility	ProXT, PowerPro, model 6085-6086, 6500 and 6506
Part number (cot model depending)	500-00-XXXX
Positions available	Upper and lower
Material manufacturing	Aluminum high grade
Cot installation	Clamp box on side frame
Positioning installation	Right side (<i>patient leg</i>) Left side - <i>Option</i>
Dimensions (inch)	
Total Height - upper position -	18-7/8 "
Overall length - w/ clamp box	21-5/8"
Cot (frame) to under base plate on upper position	17-1/4" - cot mattress up 10" - cot mattress down
Cot (frame) front to base plate on lower position	9-3/8" - with tubing 12" - after the base plate
Weight (lb - oz)	
Arm only	3.8 lbs
Clamp box	2.15 lbs
Total system (hardware incl.)	6.8 lbs
Color available	Black - Yellow
Angle of the base plate with the arm	70°
Maximum load capacity	65 lbs
Installation hold on upper base plate	4 holds
Recommending loading position	Lower
Recommending number operator	1
Surface base mounting compatibility	Bracket Pro Standard and extended base
Impact resistance testing	30G - 577 lbs
Typical mounting	
Clamp box	Clamp box mounting with 4 screws on side square frame
Safety Arm	Locking & Safety pin
Installation time (approx..)	± 5 minutes
Removing time for the Arm	Less than 5 sec.
Standards	SAE J3043, KKK-A-1822

Technimount system reserves the right to change specifications without notice.

The Safety Arm System™ is designed to conform to the Federal Specification for the Star-of-Life Ambulance (KKK-A-1822) and SAE J3043. Patents pending.

Technimount hereby declares that this Safety Arm System™ (model 400-500) is in compliance with the essential requirements and other relevant provisions of Directive 1999/5/EC and SAE J3043. A copy of the original declaration of conformity can be obtained by contacting Technimount System at 4401 de Guinecourt St. Quebec City, (QC) Canada G1Y 3S9 Attn. Regulatory Affairs.

SPECIFICATIONS (CONTINUED)

Environmental conditions	Operation
Temperature	
Relative Humidity	
Atmospheric Pressure	



CAUTION

Changes or modifications to the product not expressly approved by Technimount could void the user's authority to operate the system.

CONTACT INFORMATION

Contact Technimount System Customer Service or Technical Support at:

Phone: 1.581.998.9820
Fax: 1.855.339.6351
Email: info@technimount.ca

TECHNIMOUNT SYSTEM

Administrative office
4401 de Guincourt St.
Quebec City, (Quebec)
Canada
G1Y 3S9

NOTE:

Please have the serial number of your Technimount product available (*as shown in Figure 1*) when calling Technimount Customer Service or Technical Support. Include the serial number in all written communication.

SERIAL NUMBER LOCATION

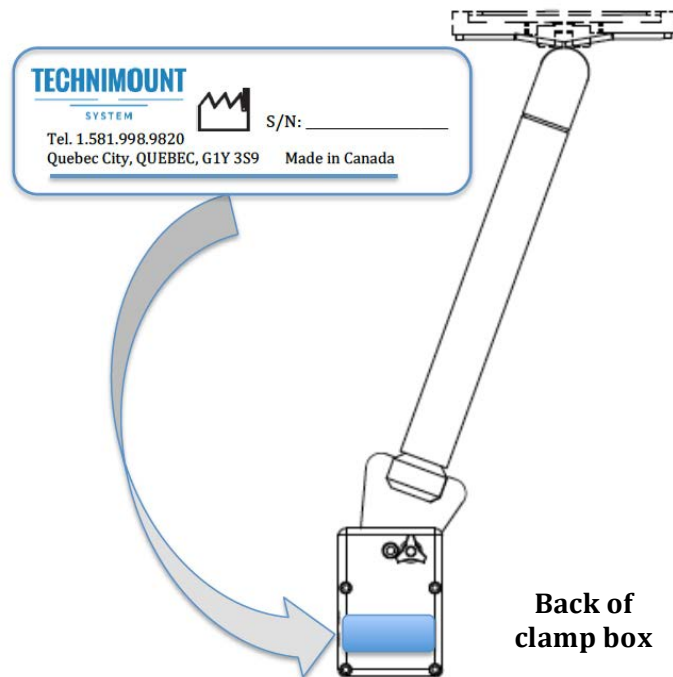


Figure 1: Arm serial no & location

PRODUCT ILLUSTRATION

Perspective View

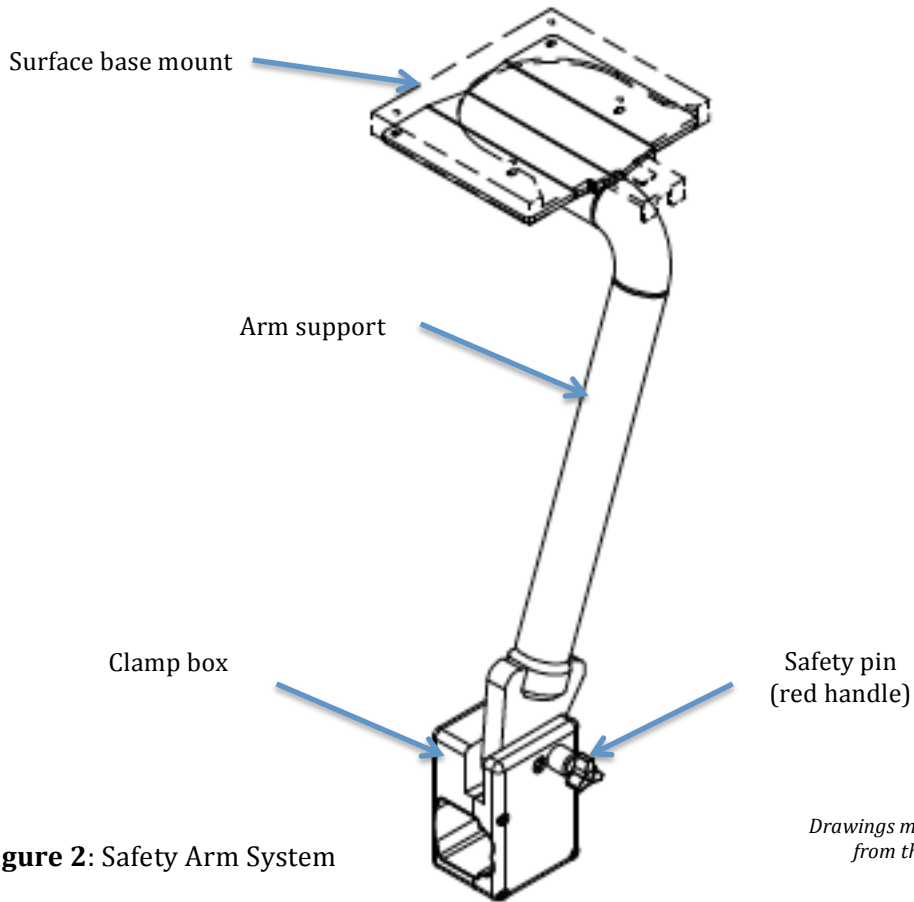


Figure 2: Safety Arm System

Drawings may slightly differ from the real product

Side View

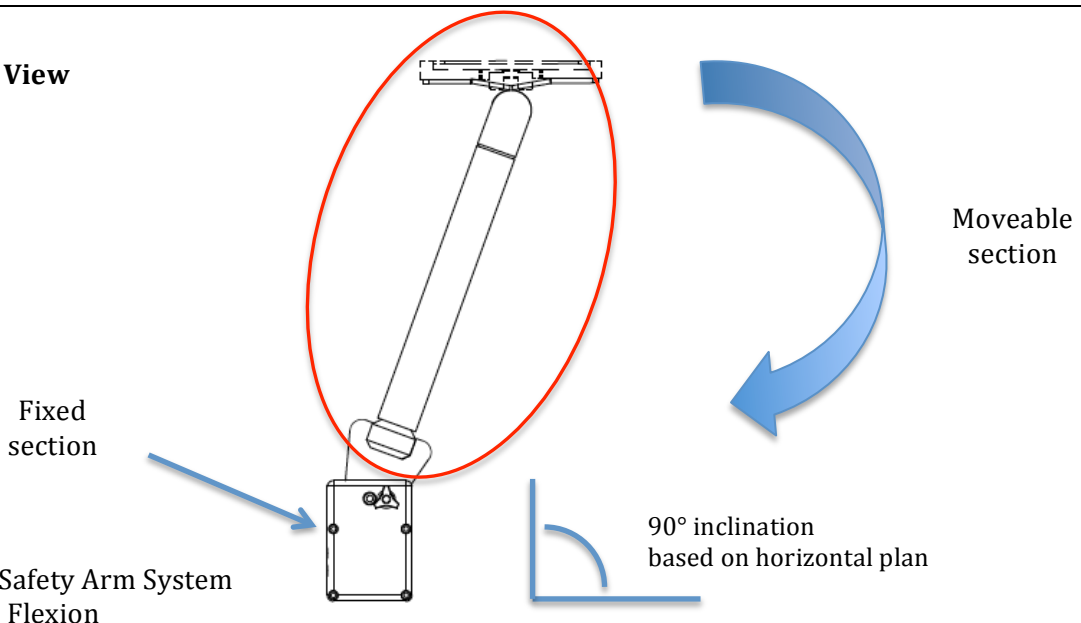


Figure 3: Safety Arm System Flexion

PRODUCT ILLUSTRATION (Installation overview)

Upper position

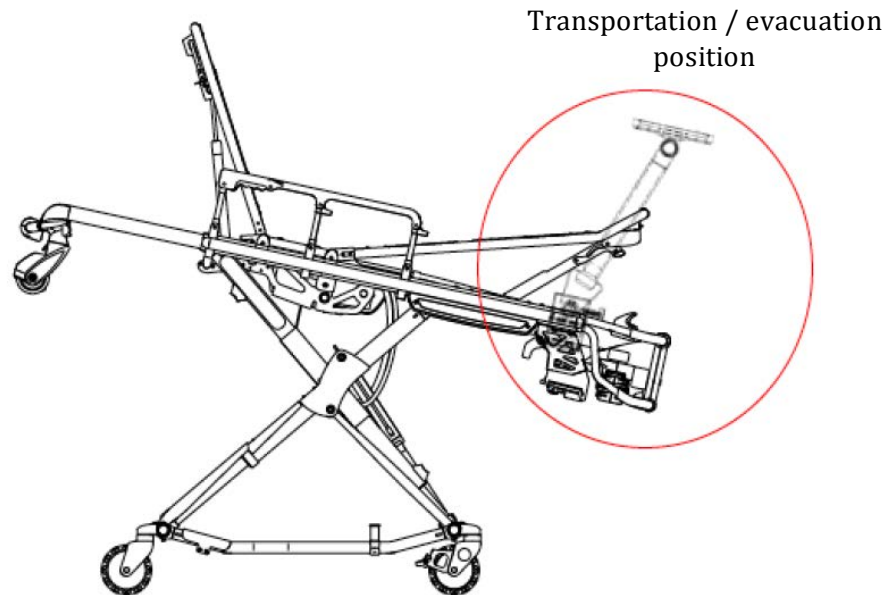
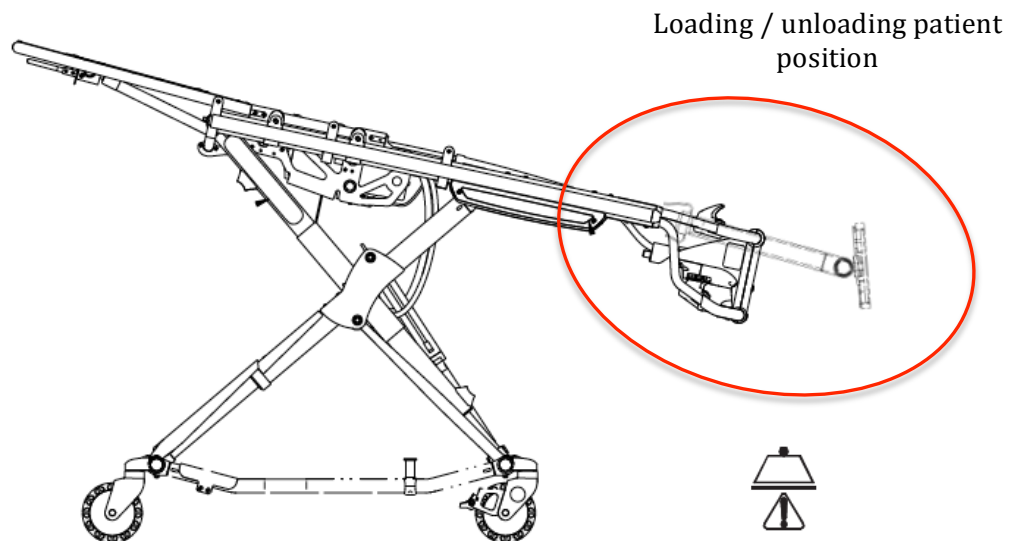


Figure 4: Safety Arm System installed on cot

Lower position



Always manipulate the arm to avoid an unbalanced cot situation

Figure 5: Safety Arm System deployed on cot

SUMMARY OF SAFETY PRECAUTIONS

Carefully read and strictly follow the warnings and cautions listed on these pages. Service only by qualified personnel.

**WARNING**

- ✓ **ALWAYS HOLD THE ARM WHEN YOU MANIPULATE IT. AS WELL, ALWAYS PULL AND HOLD THE LOCK SAFETY PIN (RED HANDLE) UNTIL REACH THE FINAL POSITION (UP OR DOWN)**
-

**WARNING**

- ✓ Ensure proper hand placement on tubing pole or surface plate. Hands should be clear of the black clamp box and arm pivot while loading and unloading the medical equipment or whenever changing height position of the arm with two or more operators.
- ✓ Improper usage of the *Safety Arm System* can cause injury to the patient or operator. Operate the arm only as described in this manual.
- ✓ Do not modify the arm or any components of the system. Modifying the product can cause unpredictable operation resulting in injury to the patient or operator. Modifying the product also voids its warranty (see page 38).
- ✓ It is the responsibility of the cot operator to ensure that the *Safety Arm System* being used in the Technimount products meet the installation specifications listed on page 6. Injury may result if a non-compatible product is used in the Technimount system.
- ✓ Do not attempt to operate the arm when it is loaded into a vehicle or in a very tight or narrow area.
- ✓ Failure to install the safety pin (ring handle) can cause injury to operator and damaged the product. Always secured the arm with it. Install and use the safety pin as described on page 23.
- ✓ To avoid injury, verify that the safety pin has engaged all over through the clamp box safely pushed before removing the arm from the cot or install lower position (evacuation).
- ✓ Verify that the locking pin (red handle) always engages into the hold for locking the position of the arm safety regardless of how the arm is load or unloaded with a medical device; injury to the patient or operator and/or damage to the arm may occur.
- ✓ Practice changing height positions (upper-transportation/evacuation) and (lower -loading /unloading) with the arm until operation of the product is fully understood. Improper use can cause injury.
- ✓ Always hold the arm by the tubing while you manipulate the arm for changing position; failure to do it can cause damage to the product and/or the cot.

- ✓ Do not allow untrained assistants to assist in the operation of the arm system. Untrained technicians/assistants can cause injury to the patient or themselves.
- ✓ Do not sit or ride on the tubing pole (arm). Damage to the product could occur, resulting in injury to the patient or operator.
- ✓ Grasping the arm improperly can cause injury. Keep hands, fingers and feet away from moving parts. To avoid injury, use extreme caution when placing your hands and near the base tube (arm & clamp box) while raising and lowering the arm.
- ✓ Operators must be able to lift the total weight of the system (arm and medical device), and any items related on the arm.
- ✓ Never use the arm installed on the cot on lower position, to open door, or push on surface or obstacle, neither pull the cot with the arm.
- ✓ Do not attempt to load the arm with the medical device on lower position. Loading the medical device always on upper position of the arm, not installed properly the medical device on the surface base may cause injury to the patient or operator and/or damage to the product.
- ✓ Do not attach restraints to the base tubes, or at the surface base, or any other place. It may result in damage to the arm further resulting in injury to the patient or operator.
- ✓ Do not place any additional charge or other object on the arm, then the medical equipment.
- ✓ Always manipulate with care the arm, avoid any improper push or violent manipulation, it may result of an unbalanced cot and may cause injury to the patient or operator and/or damage to the product.
- ✓ To avoid the risk of patient injury or equipment damage, ensure that you properly mount and secure the defibrillator platform (surface base) to the arm.
- ✓ To avoid the risk of patient injury or equipment damage, you must make sure that the disc under the medical device is properly locked into the surface base prior to manipulate the arm.
- ✓ If you want to remove the arm from the system, make sure you remove the medical device prior the operation, failure of removing it may result of damage to the product, or cause injury to the operator.
- ✓ **SOME CLEANING PRODUCTS ARE CORROSIVE IN NATURE AND MAY CAUSE DAMAGE TO THE PRODUCT IF USED IMPROPERLY.** If the products described above are used to clean Technimount equipment, measures must be taken to ensure the Safety Arm Systems are wiped with clean water and thoroughly dried following cleaning. Failure to properly rinse and dry the arm will leave a corrosive residue on the surface of the cots, possibly causing premature corrosion of critical components.

- ✓ Failure to properly clean or dispose of corrosive product will increase the risk of premature damage and may cause injury to the patient or operator.
 - ✓ Changes parts, replacement or modifications to the unit not expressly approved by Technimount could void the user's authority to operate the system.
 - ✓ Installation of the *Safety Arm System* on the left side (patient leg) is designed for this purpose, you need to order a specific side; the *Safety Arm System* cannot be reversed, or install on the other side; clamp box has been designed for specific side.
 - ✓ A certified mechanic familiar with cot's specifications should do installation of the clamp box. Consult the cot manufacturer's manual before installing the safety arm and be sure that the installation of the safety arm system does not damage or interfere with the cot.
 - ✓ A preventative maintenance program should be established for all Technimount equipment. Preventative maintenance may need to be performed more frequently based on the usage level of the product. Close attention should be given to safety features.
 - ✓ Improper maintenance can cause injury or damage to the product. Maintain the *Safety Arm System* as described in this manual. Use only Technimount approved parts and maintenance procedures. Using unapproved parts and procedures could cause unpredictable operation and/or injury and will void the product warranty (see page 38).
 - ✓ Failure to use authorized parts, lubricants, etc. could cause damage to the arm and will void the warranty of the product.
 - ✓ This manual should be considered a permanent part of the arm system and should remain with the product even if the arm is subsequently sold.
 - ✓ Technimount continually seeks advancements in product design and quality. Therefore, while this manual contains the most current product information available at the time of printing, there may be minor discrepancies between your arm system and this manual. If you have any questions, please contact Technimount Customer Service or Technical Support at 581.998.9820.
 - ✓ Inspect regularly the clamp box and surface base for any issue and loose bolts and nuts.
 - ✓ Do not adjust, or change position while you roll or work simultaneously with the cot, and/or into a vehicle without advising the patient. Stay with the patient and control the arm at all times.
 - ✓ Always manipulate the arm at the lower position of the cot, as much possible; high lever may unbalance the cot with violent movement or unpredictable motion.
-

PINCH POINTS

WARNING: Pinch Points

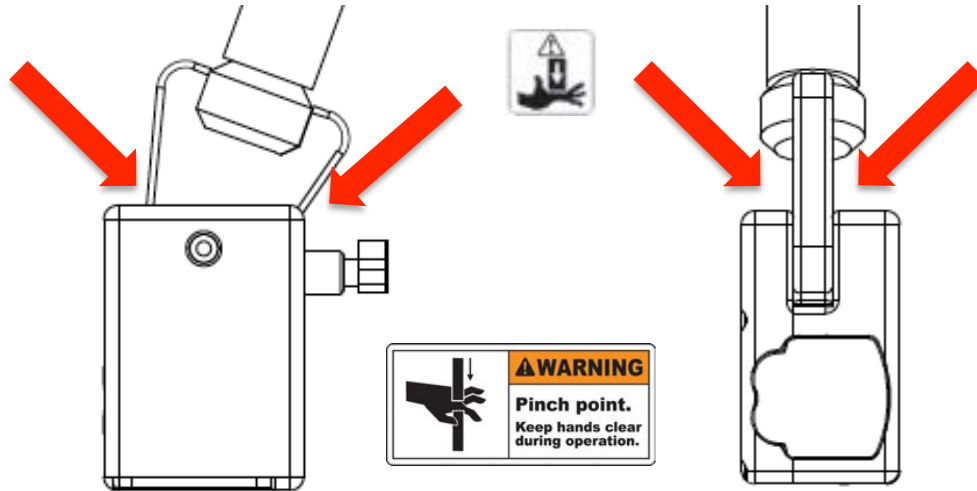


Figure 6: Side view
clamp box and arm pivot

Figure 7: Lateral view
clamp box and arm pivot



WARNING

Ensure proper hand placement on a high position on the tubing (pole). Hands should be clear of clamp box while loading and unloading the arm or whenever changing height position of the arm system with two or more operators.

SET UP PROCEDURES

Ensure that all shipping and packaging materials have been removed from the product(s) prior to use.

Unpack the cartons and check all items for proper operation. It is important that the *Safety Arm System* is working properly before it is put into service. See on page 3 to identify all of the product components.

Validate that you have all the components and hardware prior to start the installation. Some hardware or parts provided might not be applicable to the model of your cot; please refer to the page 3 & page 9 for identification product components.

Note: Loose items or debris on the cot can interfere with the operation of the safety arm system and cot. Keep cot & the floor clear.

**WARNING**

- ✓ Improper usage of the Safety Arm System can cause injury to the patient or operator. Operate the system only as described in this manual.
- ✓ Do not modify the product or any components of the cot. Modifying the product can cause unpredictable operation resulting in injury to the patient or operator. Modifying the product also voids its warranty (see page 38).

Note:

- ✓ This manual should be considered a permanent part of the product and should remain with the product even if the system is subsequently sold.
 - ✓ Technimount continually seeks advancements in product design and quality. Therefore, while this manual contains the most current product information available at the time of printing, there may be minor discrepancies between your arm system and this manual. If you have any questions, please contact Technimount Customer Service or Technical Support at 581.998.9820.
-

TOOL RECOMMENDED

Tools need for this installation is simple. We're providing some basic information for selecting your tool. If you don't understand the exact tool or you may need precision, please contact Technimount Technical service.

Item 1:

Allen key dimension
3/16" ANSI - SME

**Item 2:**

Screw driver –
Star bite S2-T27

**Item 3:**

Small plastic hammer



Picture 1: Tools recommended for the installation

**WARNING**

Other type of tool may also be appropriate for the work; however, electric tool isn't recommended for unscrewing the bolt into the cot frame the first time, risk of damaged the threads.

SETTING THE COT FOR THE INSTALLATION

SETTING FOR MODEL 500

Some cots will have the IV pole on the right side of the frame (*based on patient's leg*). If it's the case, you'll need to change the IV pole to the other side of the cot, in order to have the *Safety Arm System* on the side of the wall of the ambulance (right) and NOT on the evacuation way into the vehicle. It does not interfere with the installation or the use to have the left version. You need to validate the side of the installation with the administration prior to do it.

Technimount provides with two (2) different models. The standard model for 400 or 500 is designated as a "right" side installation (most common) but right side is available upon request, and the installation is exactly the same procedure. For this manual, we'll use a right side model.

Here is the procedure to remove or change the IV pole prior to install the Safety Arm System on the cot.

Procedure to remove or change position of the IV pole from the right side to the left side.

Note:

- ✓ **You might not have this step to perform, depending if you have or not the IV pole installed.**
- ✓ Please refer to the manual of the manufacturer of the cot for more details about the installation/reinstallation.



Picture 2: Right side cot with IV pole to remove



Picture 3: Do not install IV pole same side of the arm



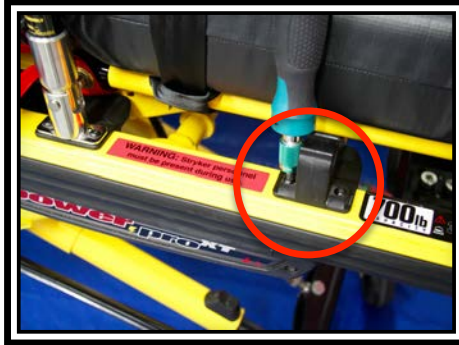
CAUTION

- ✓ Be careful to not damage the screw holds, and the bolt. Technimount doesn't provide with this replacement. If happened, please contact the manufacturer of the cot.

REMOVE THE IV POLE:

STEP 1

- Get access to the screws that maintain the IV pole and the holder, by placing up the pole.



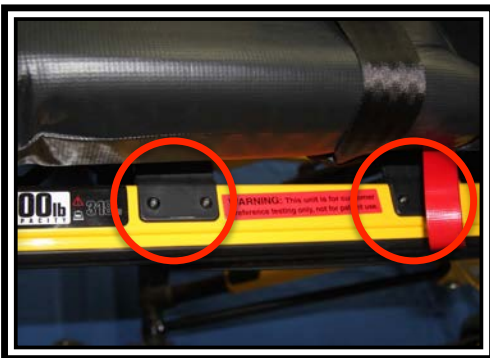
STEP 2

- Remove all the 4 screws on the hold and the IV pole bracket; and replace the screws.



STEP 3

- The IV pole can be installed on the other side, on the same bracket, or put aside for later use.



SAFETY ARM SYSTEM INSTALLATION

Note: The Safety Arm System Installation instructions on page 17 through page 24 are intended for cots that you will use **with or without** Power-LOAD.

 **WARNING**

It is the responsibility of the arm operator to ensure that the system being used on the cot meets the installation specifications listed on page 6. Injury may result if a non-compatible cot is used.

Note: Adjustment of the clamp box assembly may be required in order to compensate for any variation in the cot frame dimension depending on the cot manufacturer and model number.

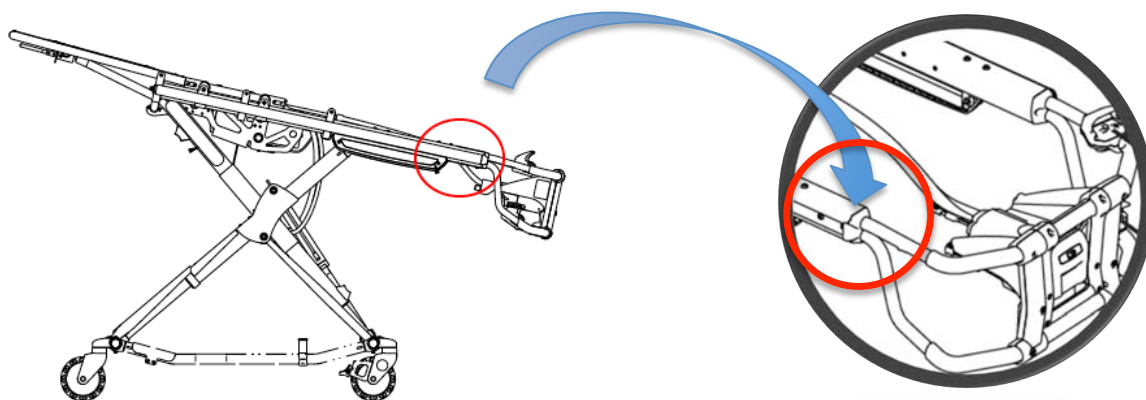
POSITION ON THE COT (right model shown)

Figure 8: Position of the clamp box on the tip side rail frame

Note:

- ✓ In order to install the *Safety Arm System* on the left side (patient leg), you need to order a specific side; the *Safety Arm System* can not be reversed, or install on the other side; clamp box has been designed for specific side.
- ✓ The Arm itself cannot be switched from one side to another, you need to order a system according to the side desired.

SAFETY ARM SYSTEM INSTALLATION (continued)

POSITION ON THE COT (right model shown)

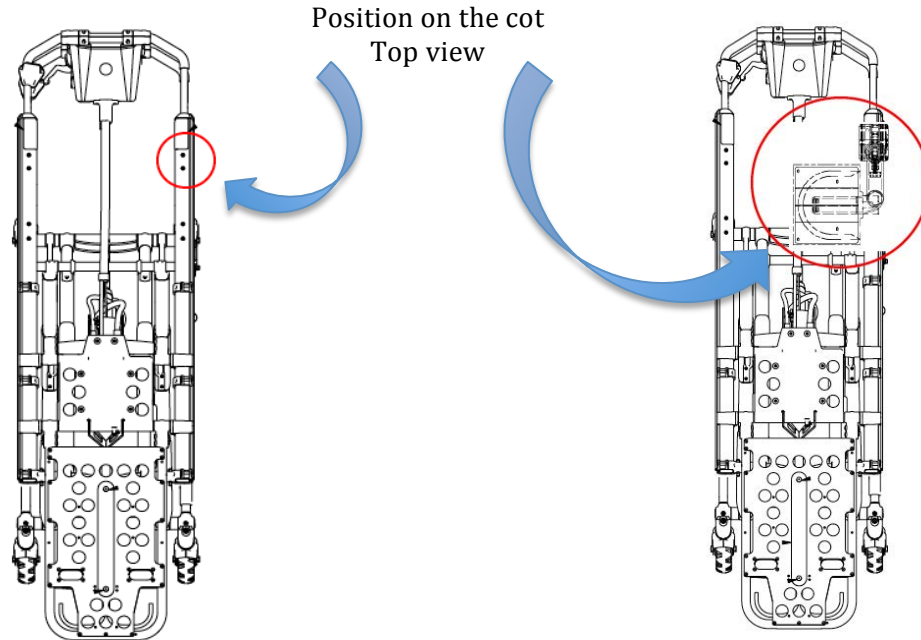


Figure 9: Position to be installed

Figure 10: Once installed upper position

POSITION ON THE COT (right & left models)

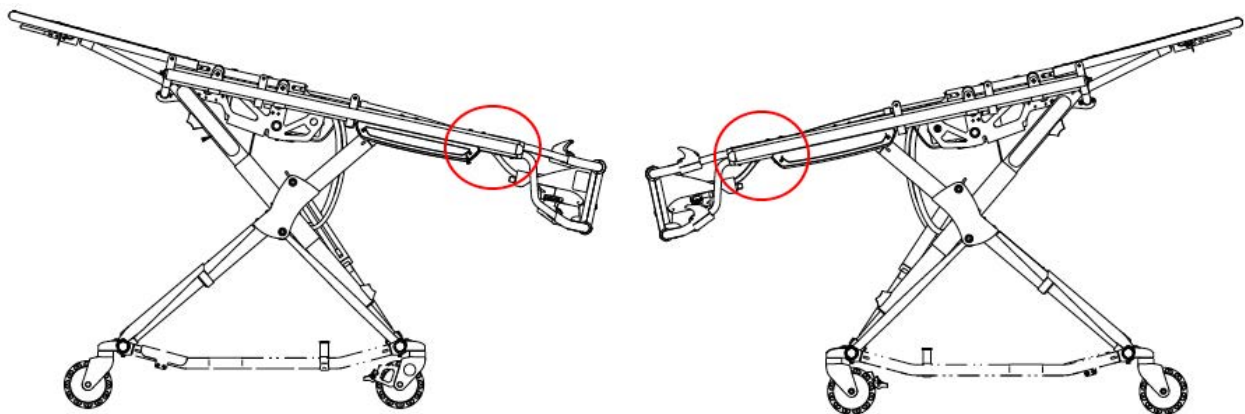


Figure 11: Both side of the cot for installation;
Model 500 shown

Note:

- ✓ Installation on a “left or right” model is the same location for the clamp box; the clamp box needs to be designed for the appropriate side.

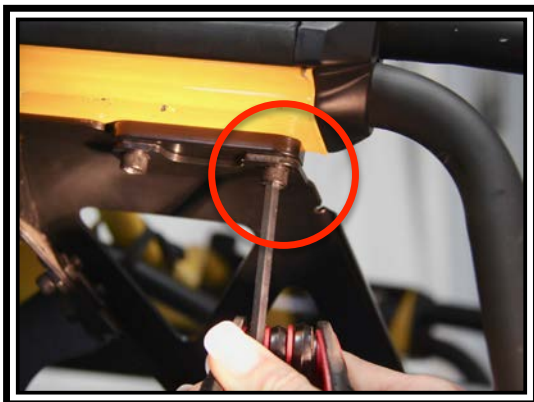
SAFETY ARM SYSTEM INSTALLATION (continued)

INSTALLING THE CLAMP BOX

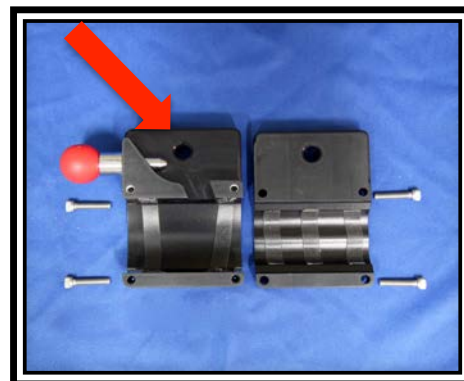
1. Determine the position to install the clamp box; and find the two (2) screws that are attached to the front section of the frame.



2. Unscrew the 2 bolts with Allen key 3/16" (or *Star bite S2-T27*) and keep it for the following step; remove the spacer, and keep it away, it won't be used for the installation.



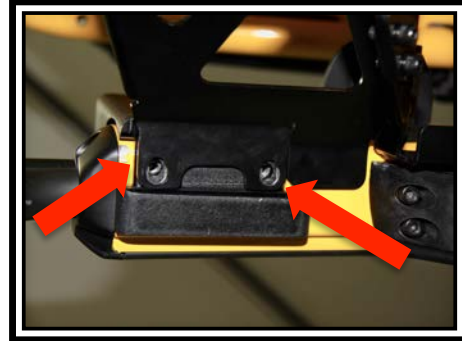
3. Unscrew the four (4) bolt of the clamp box, with the Allen key 3/16" and place the part with the red handle, inside the cot frame, in order to fit it vertical on the tip of frame.



SAFETY ARM SYSTEM INSTALLATION (continued)

INSTALLING THE CLAMP BOX

4. Position the clamp box under the black plate of the frame and aligned with the two (2) holds for the screws.



5. Screw the bolts very tightly in alternation and reconfirm the position of the clamp box; it should be very close the tip of the frame and see a tiny yellow line of the frame, add blue Loctite 2400.



6. Screw the four (4) bolts very tightly in alternation and add blue Loctite 2400. Install the arm into the slot.



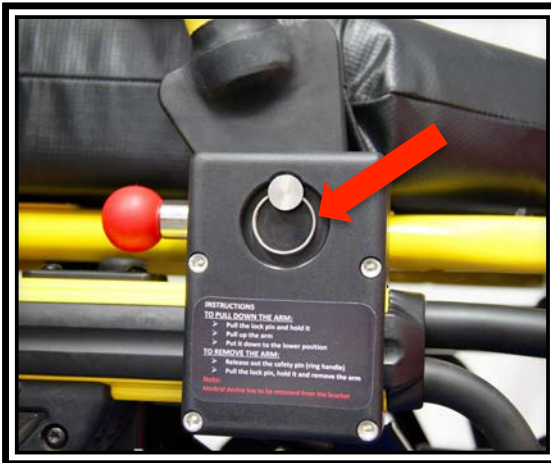
SAFETY ARM SYSTEM INSTALLATION (continued)

INSTALLING THE CLAMP BOX

7. Pull the lock pin back and adjust the arm to align the hold of the clamp box and the hold into the triangle (feet) of the arm; then put the safety pin until the ring is into the circle.



8. Safety pin (red handle) and lock pin (ring handle) should be full insert and lock the arm on the upper position.



! WARNING

Verify that the arm always engages into the clamp box regardless of how the arm is positioned. Failure to insert the safety pin properly may result of injury to the patient or operator and/or damage to the cot and/or the defibrillator.

OPERATING GUIDELINES**Note:**

- ✓ Use the Safety Arm System only as described in this manual.
- ✓ Read all labels and instructions on the product before using the *Safety Arm System*.
- ✓ Before first and every use, inspect the clamp box and arm area for cracks and/or damage.
- ✓ Loading or unloading the *Safety Arm System* requires a minimum of one (1) trained operators, but Technimount recommend two (2) as much as possible.
- ✓ Do not adjust, or change position while you roll or work simultaneously with the cot, and/or into a vehicle without advising the patient. Stay with the patient and control the arm at all times.
- ✓ The arm can be used/ in any position. Technimount recommends that the operators use the system in the upper position most of the time; less risk to damage the system, better position to manoeuvre the cot.
- ✓ Always use the *lock* pin during use of the *Safety Arm System* with or without a patient on the cot.
- ✓ Always verify if the *safety* pin is firmly pushed and locked into the clamp box during use of the cot with or without a patient on the cot.
- ✓ Use properly trained helpers, when necessary, to control the arm, or installed the medical device on it.

**WARNING**

Improper usage of the *Safety Arm System* can cause injury to the patient or operator. Operate the product only as described in this manual.

Do not allow untrained assistants to assist in the operation of the arm. Untrained technicians/assistants can cause injury to the patient or themselves.

Always verify if the *safety* pin and the *lock* pin are firmly pushed and locked into the clamp box during use of the cot with or without a patient on the cot.

**WARNING**

- ✓ **ALWAYS HOLD THE ARM WHEN YOU MANIPULATE IT. AS WELL, ALWAYS PULL AND HOLD THE LOCK SAFETY PIN (RED HANDLE) UNTIL REACH THE FINAL POSITION (UP OR DOWN)**

OPERATING GUIDELINES (Continued)**CAUTION**

- ✓ Before operating the arm, clear any obstacles that may interfere and cause injury to the operator, patient or damaged the medical equipment or other object.
- ✓ Always keep a safe distance at front of the cot, from any obstacle while operating the arm; the minimum distance from the cot should be at least 24 inch (2 feet).

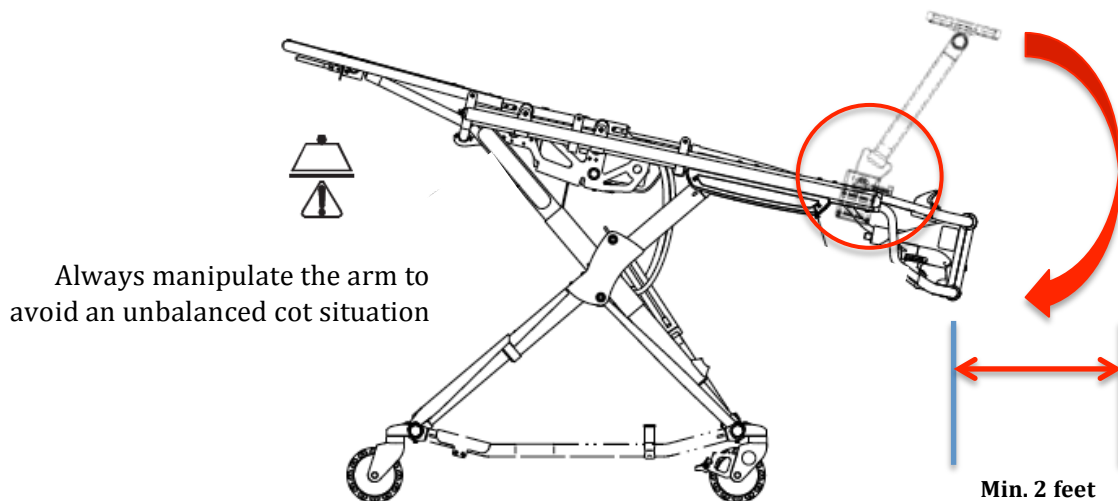


Figure 12: Clearance at front of the cote for operating the arm

PROPER LIFTING TECHNIQUES

When lifting the arm, there are six basic guidelines to help you avoid injury:

- ✓ Keep your hands close to your body
- ✓ Keep your back straight.
- ✓ Coordinate your movements with your partner, if you're two to set it and lift.
- ✓ Avoid twisting.
- ✓ Always operate the arm as described in this manual.
- ✓ Always secure the movement of the equipment by holding the arm firmly.

PROPER LIFTING TECHNIQUES (continued)



WARNING

- ✓ Never leave a patient grab, manipulate or hold the surface base or the arm (pole) on the cot or injury could result. Securely work with the arm while a patient is on the cot.
- ✓ Always evacuate and transport patient on the upper position; lower position should be use only for loading and unloading the patient. The upper position maintains the balance of the cot and reduces the potential of a cot tip.

PROPER HANDLING POSITIONS

You should consider always hold and grab the arm by the tubing, at the center or toward the top; avoid placing your hands at base close to the clamp box, failure may cause injury to the operator.

Place your hand to be able to release the lock pin and pulling up the arm simultaneously.

Ideal positions are indicated here, depending of the upper or lower position of the arm. Please refer to the **blue zone** for identification.

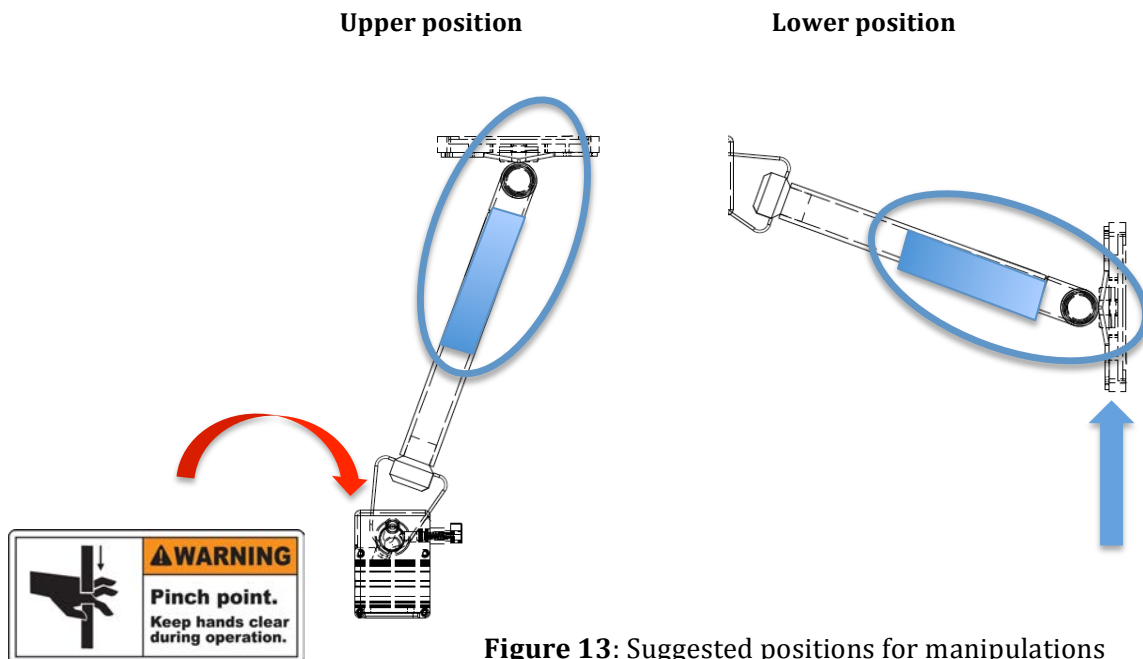


Figure 13: Suggested positions for manipulations

PROPER HANDLING POSITIONS (continued)



WARNING

- **IT IS EXTREMELY IMPORTANT TO RISE THE SAFETY ARM UP TO THE MAXIMUM POSITION, EVEN WITH THE WEIGHT OF THE MEDICAL DEVICE, IN ORDER TO NOT DAMAGE THE TIP OF THE TRIANGLE HEAD. This manipulation can cause a premature damage or cause improper function of the system.**
- This system is NOT a mechanical assistance or has a physical assistance for rising or unloaded the weight, but just hold the weight instead of the EMT's. or not leaving it between patient's legs. The user **MUST** manipulate it with all the strength necessary, and apply the manual's recommendations.



Support position
(Arm at upper position)



Maximum upper position
(Arm at upper position)

Note:

- ✓ The tip of the triangle head is used to stop the arm in case of a back end collision in order to secure the arm and lock the mechanism. Any modification not approved by Technimount System will avoid the warranty and exclude any responsibility of the manufacturer.

OPERATING THE SAFETY ARM SYSTEM



WARNING

- ✓ Two operators should be present when manipulate the arm if the cot is occupied.
- ✓ Operators must be able to lift the total weight of the system, arm, medical device and any items related to the system.
- ✓ Ensure proper hand placement on tubing pole or surface plate. Hands should be clear of the black clamp box and arm pivot while loading and unloading the medical equipment or whenever changing height position of the arm with two or more operators.

CHANGING POSITION OF THE ARM

1. Hold & rise up the arm on the appropriate position (see page 26), and at the same time pull back the safety pin and pull up the arm, in order to disengage the triangle head.



2. Maintain the arm, and slowly by holding with two hands, pull down gently the arm until it reaches the final position.



⚠ WARNING

- ✓ The medical device must be removed from the surface base mount, prior to remove the arm; in an emergency situation or if not possible, two operators must do it.
- ✓ Operators must be able to lift the total weight of the system, arm, medical device and any items related to the system.

REMOVING THE ARM

1. Grab and hold the ring handle of the lock pin, and pull off or remove completely the lock pin from the clamp box.



2. Hold the arm on the appropriate position (see page 26), and at the same time pull back, the safety pin and pull up the arm, in order to disengaged the triangle head.



Always remove the medical device prior to perform this operation.

OPTIONS

The options listed below can be purchased and installed on the Safety Arm System™.

Accessory	Part number	Page reference
Lock pin for arm red color	910-00-PTR	Page 3
Safety Arm System on left side	XXX-XX-XXXX-XXX-LFS	Page 17

**WARNING**

- ✓ Changes parts, replacement or modifications to the unit not expressly approved by Technimount could void the user's authority to operate the system.
- ✓ Do not modify the arm or any components of the system. Modifying the product can cause unpredictable operation resulting in injury to the patient or operator. Modifying the product also voids its warranty (see page 38).

**WARNING**

- ✓ **ALWAYS HOLD THE ARM WHEN YOU MANIPULATE IT. AS WELL, ALWAYS PULL AND HOLD THE LOCK SAFETY PIN (RED HANDLE) UNTIL REACH THE FINAL POSITION (UP OR DOWN)**
- ✓ **Failure to hold the lock safety pin may cause damage to the Arm - not covered under warranty - .**

CLEANING

Note:

The *Safety Arm System*™ is designed to be power washable. The unit may show some signs of oxidation or discoloration from continuous washing, however, no degradation of the cot's performance characteristics or functionality will occur due to power washing as long as the proper procedures are followed. The material used to be manufactured is high grade aluminum, it may resist and be durable to corrosion; however high level of sodium environment or liquid with very high concentration of sodium or acid may attack prematurely the product, always rinse with soft soap and water if exposed.

WASHING LIMITATIONS



WARNING

- ✓ When cleaning, use any appropriate personal safety equipment (goggles, respirator, etc.) to avoid the risk of inhaling contagion. Use of power washing equipment can aerate contamination collected during the use of the product.
-



CAUTION

- DO NOT STEAM CLEAN OR ULTRASONICALLY CLEAN THE SYSTEM (ALL COMPONENTS).
 - Maximum water temperature should not exceed 180°F/82°C
 - Maximum water pressure should not exceed 1500 psi/130.5 bar. If a hand held wand is being used to wash the unit, the pressure nozzle must be kept a minimum of 24 inches (61 cm) from the unit.
 - Allow the *Safety Arm System* to air dry
 - Towels dry all casters and interface points, specifically into the slot of the triangle head into of the clamp box.
 - Failure to comply with these instructions may invalidate any/all warranties.
-

CLEANING SOLUTIONS

In general, when used in those concentrations recommended by the manufacturer, either phenolic type or quaternary (*excluding Virex® TB*) type disinfectants can be used. Iodophor type disinfectants, Peracetic acid, Chlorine, and especially Peroxide oxygen are **not** recommended for use because staining and corrosion may result.

Suggested cleaners for the arm surfaces and clamp box:

- Quaternary Cleaners (active ingredient - ammonium chloride)
- Phenolic Cleaners (active ingredient - o-phenyl phenol)
- Chlorinated Bleach Solution (3.25% - less than 1 part bleach to 100 parts water)

Note: Do not immerse the metal parts / components in water. Rinse with clean water. Allow to air dry. Avoid over saturation and ensure that the product does not stay wet longer than the chemical manufacturer's guidelines for proper disinfecting.



WARNING

SOME CLEANING PRODUCTS ARE CORROSIVE IN NATURE AND MAY CAUSE DAMAGE TO THE PRODUCT IF USED IMPROPERLY. If the products described above are used to clean TECHNIMOUNT equipment, measures must be taken to ensure the *Safety Arm System* are wiped with clean water and thoroughly dried following cleaning. Failure to properly rinse and dry the arm will leave a corrosive residue on the surface of the product, possibly causing premature corrosion of critical components.

Note: Failure to follow the above directions when using these types of cleaners may void this product's warranty (see page 38).

REMOVAL OF IODINE COMPOUNDS

Use a solution of 1/4 Tablespoon Sodium Thiosulfate in a pint of warm water to clean the stained area. Clean as soon as possible after staining occurs. If stains are not immediately removed, allow solution to soak or stand on the surface. Rinse surfaces, which have been exposed to the solution in clear water before returning unit to service.



CAUTION

Failure to properly clean or dispose of contaminated parts or arm components will increase the risk of exposure to blood borne pathogens and may cause injury to the patient or the operator.

PREVENTIVE MAINTENANCE

A preventative maintenance program should be established for all TECHNIMOUNT equipment. Preventative maintenance may need to be performed more frequently based on the usage level of the product. The *Safety Arm System* requires regular maintenance. Establish and follow a maintenance schedule and keep records of maintenance activity (see page 34 for a form). TECHNIMOUNT recommends using the maintenance record sheet to show (see page 34) and prove maintenance on the product.

 **CAUTION**

A preventative maintenance program should be established for all Technimount equipment. Preventative maintenance may need to be performed more frequently based on the usage level of the product. Close attention should be given to safety features including, but not limited to:

- Clamp box
 - Arm tubing and surface plate (support surface base mount bracket)
-

 **WARNING**

- ✓ Do not modify the arm or any components of the system. Modifying the product can cause unpredictable operation resulting in injury to the patient or operator. Modifying the product also voids its warranty (see page 38).
 - ✓ When using maintenance products, follow the directions of the manufacturer and reference all material safety data sheets.
-

 **CAUTION**

Improper maintenance can cause injury or damage to the product. Maintain the product as described in this manual. Use only Technimount approved parts and maintenance procedures. Using unapproved parts and procedures could cause unpredictable operation and/or injury and will void the product warranty (see page 38).

Failure to use authorized parts, lubricants, etc. could cause damage to the cot and will void the warranty of the product.

LUBRICATION

The *Safety Arm System* has been designed to operate **without** the need for lubrication, replaced by an anodization of the metallic parts in contact.

REGULAR INSPECTION AND ADJUSTEMENT

Maintenance Intervals

The following schedule is intended as a general guide to maintenance. Bear in mind that such factors as weather, terrain, geographical location, and individual usage will alter the required maintenance schedule. If you are unsure as to how to perform these checks please contact your Technimount service technician. If you are in doubt as to what intervals to follow in maintaining your product, consult your Technimount service technician. Check each routine and replace damaged or worn parts if necessary.

ITEM	ROUTINE	Every (<i>whichever comes first</i>)			
		1 Month or 2 hours	3 Months or 6 hours	6 Months or 12 hours	12 Months or 24 hours
Clamp box	<ul style="list-style-type: none"> ✓ Inspect the 4 bolts of the clamp box, to detect and loose, broken or unscrewed bolt; If not secure, then the screw must be replaced. ✓ Inspect and re-tight the 2 bolts under the clamp box that hold the system on the frame. ✓ Safety lock if working properly and no particle or obstacle, debris. ✓ Lock pin if still lock properly ✓ Verify if the frame of the cot is not cracked or broken into the area of the clamp box. 	X			
Arm tubing pole	<ul style="list-style-type: none"> ✓ Verify all welds intact, not cracked or broken ✓ Verify no bent, broken, or damaged components ✓ Verify that the system retaining post is secure. ✓ Verify no excessive damage to arm ✓ Verify the pole operates properly 		X		
Bracket mounting	<ul style="list-style-type: none"> ✓ Inspect the 4 bolts and nuts to secure the surface base mount bracket on the surface plate 	X			

QUICK REFERENCE REPLACEMENT PARTS

The parts and accessories listed on these pages are all currently available for purchase. Some of the parts identified on the assembly drawing parts in this manual may not be individually available for purchase. Please call Technimount Customer Service Canada: 581-998-9820 or at info@technimount.com for availability and pricing.

Part Name / Description	Part Number
Clamp box – Stryker cot model	500-10-PXXXX
Arm tubing with triangle head – right side- Anodized – no paint	400-20-UN
Lock pin stainless steel – NO Color -	910-00-UN
Lock pin stainless steel with red color anodized	910-00-PTR
Safety pin with red handle	920-00-UN
Sticker – brand name -	940-00-UN
Sticker – Instruction in English -	930-00-EN
Sticker – Instruction in French -	930-00-FR
Clamp box – Stryker cot model - - LEFT SIDE INSTALLATION -	500-10-PXXXX-LFS

CERTIFICATION - TESTING

*INTENTIONNALLY LEFT BLANK
(Certification testing section)*

WARRANTY

TECHNIMOUNT SYSTEM a division of the Technologie CGC offers three warranties options for its products:

- One (1) year additional after the original warranty for parts and labor. Technimount warrants to the original purchaser that its products should be free from manufacturing non-conformances that affect product performance and customer satisfaction for a period of one (1) year after date of end of the original warranty. Technimount's obligation under this warranty is expressly limited to supplying replacement parts and labor for, or replacing, at its option, any product that is, in the sole discretion of Technimount, found to be defective.
- Two (2) years additional after the original warranty for parts and labor. Technimount warrants to the original purchaser that its products should be free from manufacturing non-conformances that affect product performance and customer satisfaction for a period of two (2) year after date of end of the original warranty. Technimount's obligation under this warranty is expressly limited to supplying replacement parts and labor for, or replacing, at its option, any product that is, in the sole discretion of Technimount, found to be defective.
- Three (3) years additional after the original warranty for parts and labor. Technimount warrants to the original purchaser that its products should be free from manufacturing non-conformances that affect product performance and customer satisfaction for a period of three (3) year after date of end of the original warranty. Technimount's obligation under this warranty is expressly limited to supplying replacement parts and labor for, or replacing, at its option, any product that is, in the sole discretion of Technimount, found to be defective.

Note:

Please contact customer service or a representative for price and conditions.

The Safety Arm System™ is designed for a 5 year expected service life under normal use conditions, and with appropriate periodic maintenance as described in the manual. Technimount warrants to the original purchaser that the welds on *the Safety Arm System* (the arm tubing specifically) will be free from structural defects for the expected 5 years life of the product as long as the original purchaser owns the product. Original purchasers will obtain a one (1) year limited parts warranty for the clamp box components of the cot system. Technimount obligation under this one (1) year limited warranty is expressly limited to supplying replacement parts and labor for, or replacing, at its option, any part that is, in the sole discretion of Technimount, found to be defective.

Upon Technimount's request, purchaser shall return to Technimount's factory any product or part (freight prepaid by Technimount) for which an original purchaser makes a warranty claim.

Any improper use or alteration or repair by unauthorized service providers in such a manner as in Technimount's judgment affects the product materially and adversely, shall void this warranty. Any repair of Technimount products using parts not provided or authorized by Technimount shall void this warranty, and exclude any type of responsibility to the product or the use of it. No employee, distributor or manufacturing agent or representative of Technimount is authorized to change this warranty in any way.

WARRANTY (continued)

This statement constitutes Technimount's entire warranty with respect to the aforesaid equipment. TECHNIMOUNT SYSTEM MAKES NO OTHER WARRANTY OR REPRESENTATION EITHER EXPRESSED OR IMPLIED, EXCEPT AS SET FORTH HEREIN. THERE IS NO WARRANTY OF MERCHANTABILITY AND THERE ARE NO WARRANTIES OF FITNESS FOR ANY PARTICULAR PURPOSE. IN NO EVENT SHALL TECHNIMOUNT BE LIABLE HEREUNDER FOR INCIDENTAL OR CONSEQUENTIAL DAMAGES ARISING FROM OR IN ANY MANNER RELATED TO SALES OR USE OF ANY SUCH EQUIPMENT.

Technimount System (Technologies CGC Inc.) warrants to the original purchaser ("Buyer") of the hardware with which this Limited Warranty is included ("Hardware") that the Hardware will be free from defects in workmanship and materials under normal use ("Defects") for a period of one (1) year from the date that the Hardware was first purchased by you ("Warranty Period"). During the Warranty Period the Hardware will be repaired or replaced ("Limited Warranty") without charge to you for either parts or labour. The parts may be repaired or replaced with either new or refurbished parts; the product may be replaced for a new or refurbished product. For this Limited Warranty "refurbished" entails parts and products, which have been returned to factory specifications. If the Hardware is repaired or replaced within the Warranty Period, the greater of the remaining warranty period will apply or three (3) months from the date of repair/replacement. If the Hardware is repaired or replaced after the Warranty Period has expired, the Warranty Period for the repair or replacement will expire three (3) months after the date of repair or replacement.

The Limited Warranty does not apply to normal wear that should result from, does not apply when the hardware or any components is opened, disassembly, or repaired by someone not authorized by the "Seller" and does not cover repair or replacement of any Hardware or part thereof damaged by: misuse, moisture, liquids, proximity or exposure to heat and accident, abuse, non-compliance with the instructions supplied with the Hardware, neglect or misapplication. The Limited Warranty does not cover physical damage to the surface of the Hardware.

The items, hardware or product define as *any type of mounting, bracket system for clipping and attaching medical equipment* is specifically designed to maintain or supporting medical equipment. It is strictly made to fill this requirement; all other use will avoid the warranty if applicable and will not involve liability of the seller (TECHNIMOUNT), on any form of the claim and may not be adapted or modified for other use.

Any repair, disassembly, work or manipulation of the components or internal mechanism or parts, without a written approbation from Technimount System will avoid warranty and any form of liability directly or indirectly to the product of use of the product automatically without any advice.

RETURN POLICY

TECHNIMOUNT RETURN POLICY

Cot system, as Safety Arm System, components related may be returned up to 60 days of receipt if they meet the following guidelines:

Prior to 30 Days

- ✓ 30 day money back guarantee in effect
- ✓ Technimount is responsible for all charges
- ✓ Returns will not be approved on modified items

Prior to 45 Days

- ✓ Product must be unused, undamaged and in the original packaging
- ✓ Customer is responsible for a 20% restocking fee

Prior to 60 Days

- ✓ Product must be unused, undamaged and in the original packaging
- ✓ Customer is responsible for a 30% restocking fee

RETURN AUTHORIZATION

Technimount customer service department must approve any merchandise return and will provide an authorization number to be printed on any returned merchandise. Technimount reserves the right to charge shipping and restocking fees on returned items. SPECIAL, MODIFIED, OR DISCONTINUED ITEMS NOT SUBJECT TO RETURN.

DAMAGED MERCHANDISE

ICC Regulations require that claims for damaged merchandise must be made with the carrier within fifteen (15) days of receipt of merchandise. DO NOT ACCEPT DAMAGED SHIPMENTS UNLESS SUCH DAMAGE IS NOTED ON THE DELIVERY RECEIPT AT THE TIME OF RECEIPT. Upon prompt notification, Technimount will file a freight claim with the appropriate carrier for damages incurred. Claim will be limited in amount to the actual replacement cost. In the event that this information is not received by Technimount within the fifteen (15) day period following the delivery of the merchandise, or the damage was not noted on the delivery receipt at the time of receipt, the customer will be responsible for payment of the original invoice in full.

Note:

Claims for any short shipment must be made within thirty (30) days of invoice.

INTERNATIONAL WARRANTY CLAUSE

This warranty reflects Canadian domestic policy. Warranty outside the Canada may vary by country. Please contact your local Technimount representative for additional information.

TECHNIMOUNT

SYSTEM

TECHNIMOUNT SYSTEM

Administrative office
4401 de Guincourt St.
Quebec City, (Quebec)
Canada
G1Y 3S9

Phone: 1.581.998.9820
Fax: 1.855.339.6351
Email: info@technimount.ca