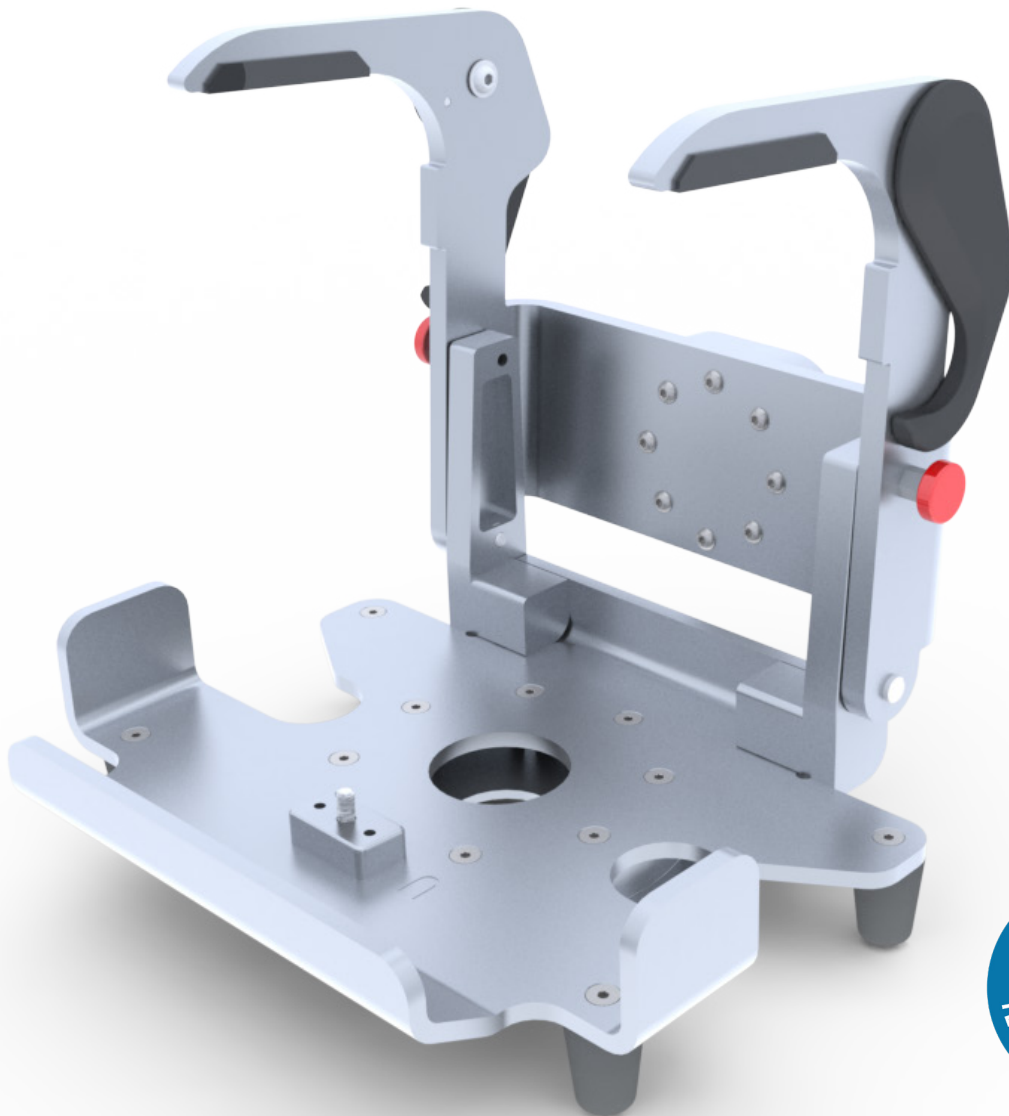




**TECHNIMOUNT**  
SYSTEM™

## **BRACKET PRO SERIE® 60**

MOUNTING SYSTEM FOR THE HAMILTON T-1 VENTILATOR



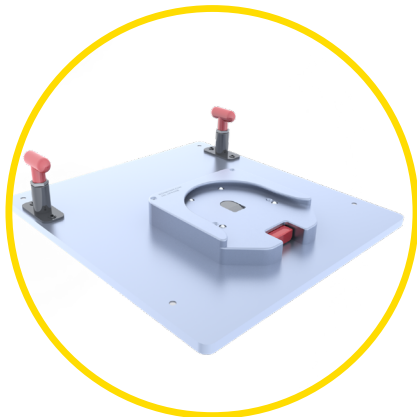
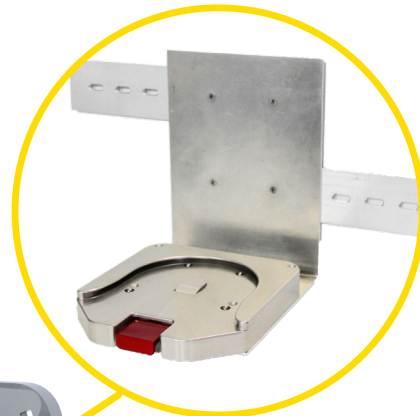
# BRACKET PRO SERIE® 60

## POTENTIAL CONFIGURATIONS

Safety MD Transporter



Wall Mount System



Air Ambulance  
Floor Mount

Technimount  
Universal Standard  
Surface Base



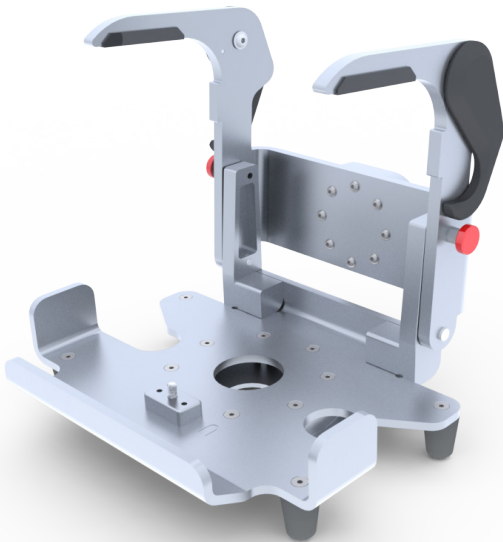
Technimount  
Stretcher Safety  
Arm System

# TECHNICAL SPECIFICATIONS

<b>Product Name</b>	Bracket Pro Serie® 60 Version 2
<b>Compatibility of Medical Device</b>	Hamilton T-1 Ventilator from Hamilton Medical
<b>Environment of Usage</b>	EMS/CCT (Ground & Flight) – Hospital/Clinic, Military
<b>Device Section Material</b>	High-Density Aluminum with Gray Anodized Finish
<b>Bottom Disc Section Material</b>	Aluminum with Stainless Steel Insert and Peek Cushions
<b>Anti-Rotation Back Disc Material</b>	High-Density Aluminum with Gray-Anodized Finish
<b>Temperature of Usage</b>	- 35° C @ 45° C (Direct Conduction)
<b>Impact Resistance – Ground - USA</b>	SAE J3043 (30 G) Plus 10% Safety Factor (in process)
<b>Impact Resistance - Flight</b>	FAA – FAR -DOT 27.561 & DOT 27.562 up to 20G (in process)
<b>Medical Device Retaining System</b>	Device Retained on Main Assembly with 2 upper arm locks, lateral blockers and one screw under the medical device
<b>Retaining System</b>	2 Locking Discs – Standard Bottom Section – Back Anti-Rotation Micro Disc
<b>Transportation Compatibility System</b>	Compatible with Technimount’s Standard Surface Base Compatible with Technimount’s Stretcher Safety Arm System For Stryker Cots (PowerPro – XT and Mx-Pro) Compatible with the Floor Mount Platform (Flight) Compatible with Wall Mount System (Micro Base System) Compatible with the Safety MD Transporter
<b>Features</b>	Robust Mounting Solution for EMS/CCT/ALS Transport Access to all Connectors and Accessories Flight and Ground Compatibility Multiple configuration options for transport
<b>Physical Overall Dimensions</b>	Length 11.25 in, Height 11.3 in, Depth 10.5 in
<b>Weight (Bracket Only)</b>	Bracket Only – 5.8 lbs Bracket with the Medical Device 20.1 lbs
<b>Part Number</b>	Bracket only - 700-11-HMDBH1



# YOUR SAFETY IS OUR PRIORITY

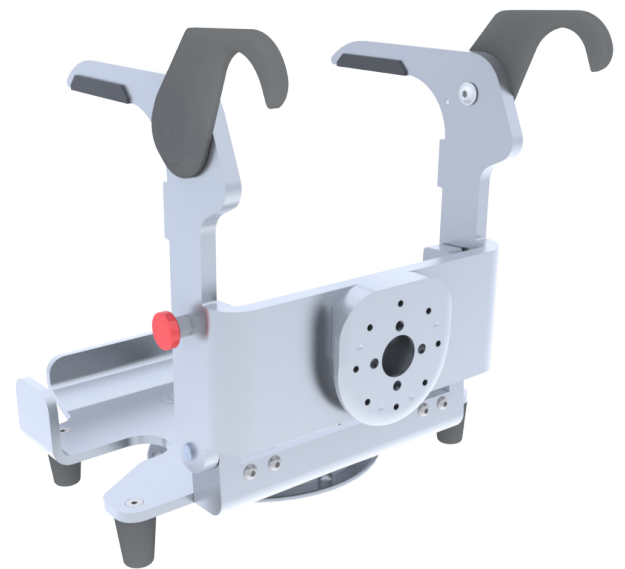


## FEATURES

- ✓ Designed for the Hamilton T-1 Ventilator by Hamilton Medical
- ✓ Bottom disc allows for 360° rotation when installed on the Standard Surface Base
- ✓ Anti-Rotation back disc for vertical support on different wall and arm systems
- ✓ Dual locking system with red quick release mechanisms to easily install and remove the device from the bracket
- ✓ High-density aluminum with silver-anodized finish
- ✓ SAE J3043 (certification in process)
- ✓ Compatible with all of Technimount's products

## BENEFITS

- + Multiple configurations on cot/stretchers, wall, Floor/Surface for EMS or Critical Care Transport
- + Access to medical device from all angles (360° rotation on Technimount's Standard Surface Base)
- + Simple to install, easy access for maintenance and integrity of medical device respected
- + Quick installation and removal of bracket from Technimount's mounting systems
- + Certified mounting systems that comply with the highest industry standards and regulations
- + Reduces risks of damage to the equipment and ensures the safety of patients and crew during EMS and Critical Care transport



## SAFETY AND FLEXIBILITY WHERE IT MATTERS MOST

[technimount.com](https://www.technimount.com)



Hamilton T-1 is a Trademark of Hamilton Medical Devices  
Bracket Pro Serie is a Registered Trademark of Technimount System  
Technimount System does not have a commercial relationship with Hamilton Medical  
Hamilton Medical does not promote or sell Technimount products

© 2020 Technimount System - All Rights Reserved - Printed in Canada

BF60 V2 202001-V1