



# TECHNIMOUNT SYSTEM™



## TECHNI-SHIELD DEFENDER™

TO PROTECT EMS RESPONDERS

### SAFETY AND FLEXIBILITY WHERE IT MATTERS MOST

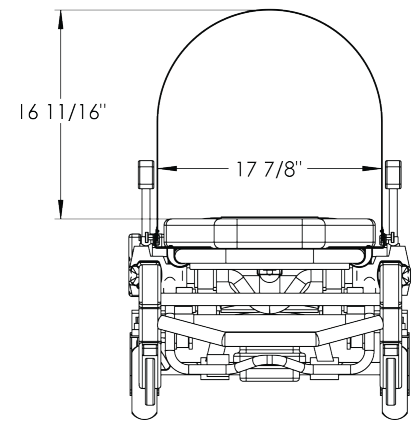
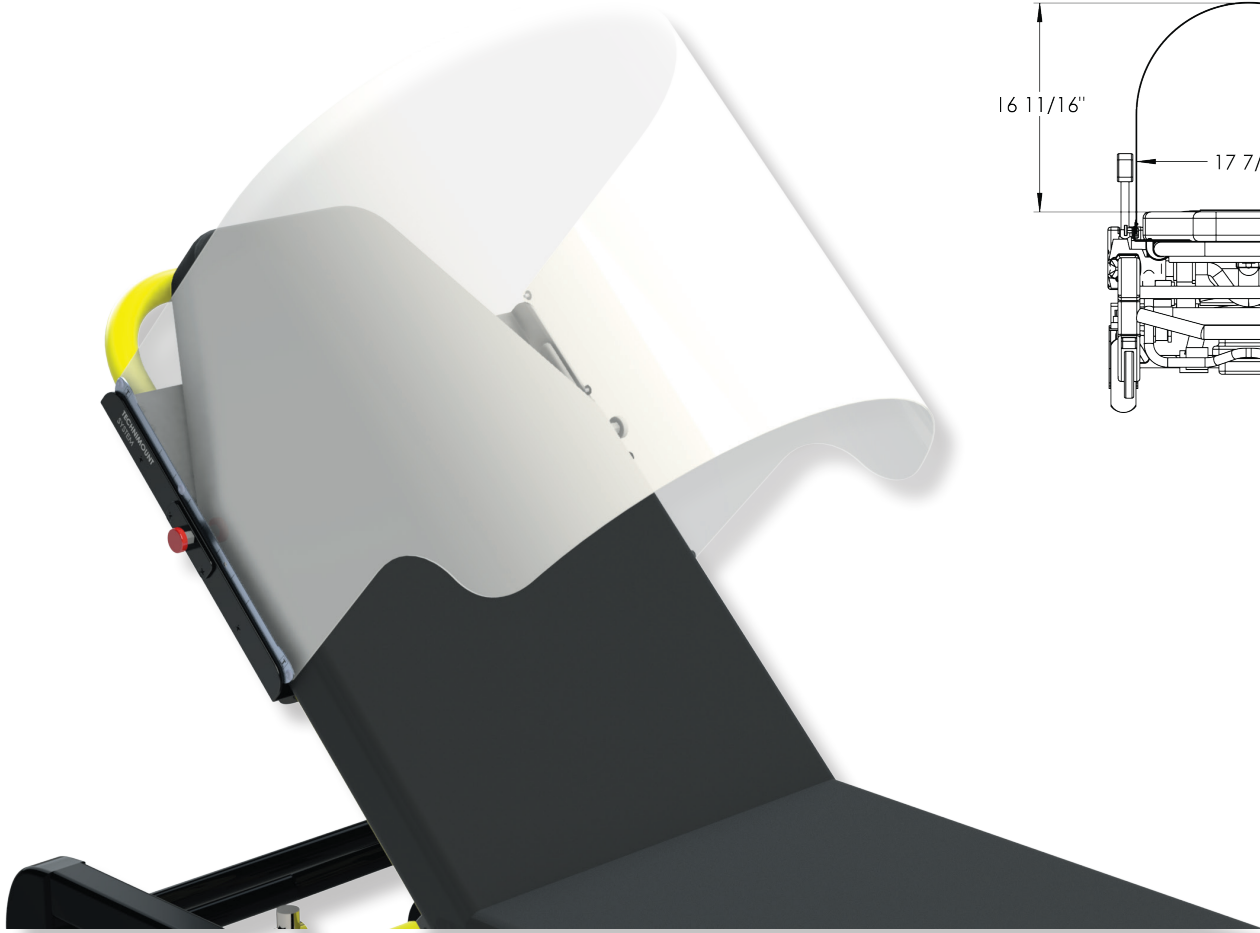
The Techni-Shield Defender is a protective screen for stretchers developed to help reduce the spread of contaminated droplets in the air.

The Techni-Shield Defender is a removeable transparent screen that acts as an additional barrier between the patient and emergency staff to reduce the risk of exposure to patients potentially contaminated with infectious respiratory diseases.

Emergency responders can now better protect themselves when in contact with patients that might be infected with respiratory diseases during transport.

# TECHNI-SHIELD DEFENDER™

## PRODUCT DESCRIPTION



The Techni-Shield Defender is fabricated with PETG FDA-approved grade screen material for use in medical devices making it suitable for patient contact. PETG can resist rigorous ETO sterilization processes, making it ideal to be used as a sterile barrier in medical applications. This high impact resistant material is tougher than acrylic and is made with medical-grade resins that is ISO 10993 biocompatible.

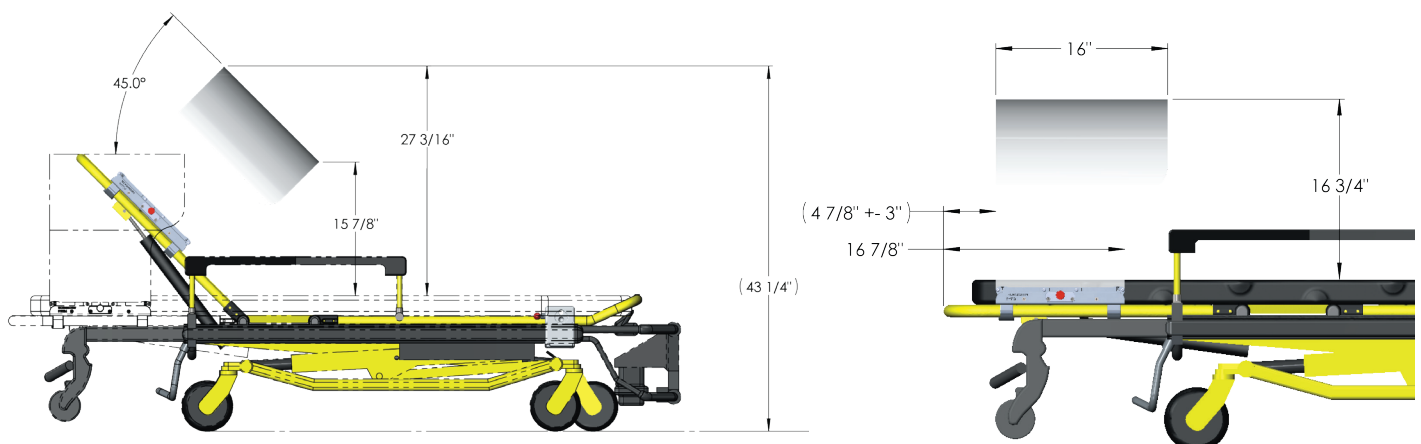
The Techni-Shield Defender is transparent, durable, and resistant to chemicals, cleaners and disinfectants containing bleach, peroxide, and isopropyl alcohol, etc. This smooth, easy-to-clean screen cannot trap bacteria or any other type of germs.

The Techni-Shield Defender can be installed or removed without any specific tools to help medical personnel deploy or release the system almost instantly. Adaptable to leading stretcher brands in North America, its lightweight design makes it easy to transport. Its overall frame is small, making it suitable for the ambulance environment or in confined spaces. When not in use, it can be stored with the stretcher.

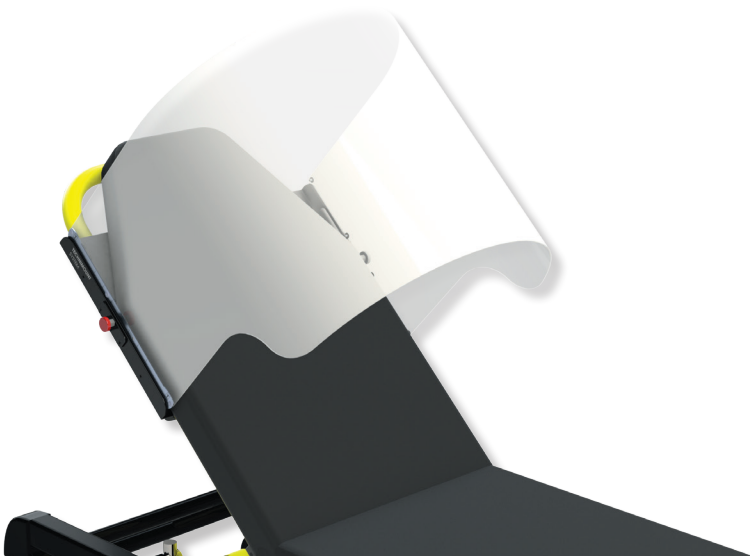
The Techni-Shield Defender's transparent screen allows emergency responders and medical staff to see the patient clearly at all times during transport.

# TECHNICAL SPECIFICATIONS

<b>Product Name</b>	Techni-Shield Defender™
<b>Brand Compatibility</b>	Stryker Stretchers / Cots
<b>Compatibility Models</b>	PowerPro XT, or Mx-Pro
<b>Environment of Usage</b>	EMS - Clinic - Military - Hospital
<b>Mechanism Material</b>	High-density aluminium hardware with anodized finish
<b>Screen Material</b>	Clear Plastic Screen PETG FDA approved grade (Ref. ISO-10993)
<b>Stretcher Mounting System</b>	4x U-shaped Clamps with center bracket mounting on stretcher backrest
<b>Screen Mounting System</b>	1x Quick release mechanism on each side with locking positioning
<b>Screen Positions</b>	Adaptable to patient height
<b>Mobile Part(s)</b>	Screen only
<b>Functional Stretcher Positions</b>	All positions (straight - flat - 45° angle - etc.)
<b>Temperature of Usage</b>	- 40° C @ + 65° C
<b>Mechanical Impact Resistance</b>	41 J (30 ft-lbf) * Reference Based on Testing method D3763 (Ref. ISO-6603-2) 2.5-mm (0.100-in.) Thick @ -40°C (-40°F)
<b>Chemical Resistance</b>	Resistance to chemicals, such as Bleach, Hydrogen Peroxide and Isopropyl Alcohol
<b>Screen Size (Once Installed) - From Mattress</b>	Height 16-11/16 in, Width 17-7/8 in, Length 16 in
<b>Screen Size (for Storage)</b>	Length 47-3/16 in, 16 in. (Fits under the mattress)
<b>Weight (Bracket Only)</b>	Complete System (kit) - 4.95 lbs
<b>Part Number OEM (HTMC Medical)</b>	HME-0001-A



# YOUR SAFETY IS OUR PRIORITY



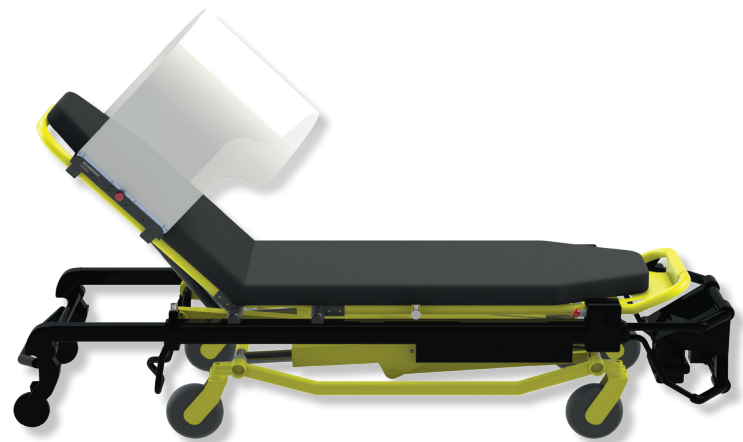
## FEATURES

- ✓ Transparent screen to monitor patient at all times during transport
- ✓ Allows room around the patient for other medical equipment
- ✓ Top and bottom openings to avoid additional oxygen consumption and carbon dioxide build-up
- ✓ Made with FDA-approved grade and ISO 10993 biocompatible PETG plastic - High resistance to sterilization processes
- ✓ No seams that can potentially trap bacteria and other pathogens
- ✓ Clip-on and clip-off design for quick installation and removal
- ✓ Small frame size suitable for ambulance environments or confined spaces

## BENEFITS

- + Enhances protection for EMS responders against exposure to patients potentially contaminated with respiratory diseases
- + Protective screen helping reduce the spread of contaminated droplets in the air
- + Instantly deploy or release the Techni-Shield Defender
- + Lightweight design for transport
- + Fast and easy to clean, disinfect and quickly put back into service
- + Shield protector parts available for replacement

## SAFETY AND FLEXIBILITY WHERE IT MATTERS MOST



Techni-Shield Defender is a Trademark of HTMC Medical

[technimount.com](https://www.technimount.com)



© Technimount System 2020 - All Rights Reserved - Printed in Canada  
Developed by HTMC Medical for Technimount System

TSD 202004-V1