



# TECHNIMOUNT SYSTEM™

## MOUNTING SOLUTIONS FOR REAL-TIME TELEMETRY SYSTEMS



## TECHMETRY™

Telemetry Monitor Mount Designed for  
EMS and Hospital Environments

### Evolving Solutions for an Evolving World

The introduction of telemedicine in ambulance transport now allows EMS personnel to interact in real-time with medical specialists during some of the most challenging moments in emergency patient care.

Telemedicine provides access to treatment options within minutes. With the use of telemetry monitoring in EMS, remote medical professionals have access to vital parameters such as ECG, pulse oximetry, blood pressure, etc.

Technimount System has created a monitor mounting solution designed for EMS and mobile health clinics such as, stroke mobile units, mobile health clinics diagnostic and ALS units.

At Technimount, we understand that our clients need solutions that they can rely on. We design and develop the best solutions for quality, flexibility and accessibility in all of our mounting systems through collaborative partnerships with its customers.

# Secure your Portable Telemetry Monitor with the Techmetry™ Monitor Mount

Technimount's Techmetry mounting system provides EMS personnel with direct access to the telemetry monitor whenever needed. The Techmetry™ mount has a unique locking mechanism to position the monitor as desired by the end user in the ambulance, facilitating communication with the patient and the remote physician at all times during transport.

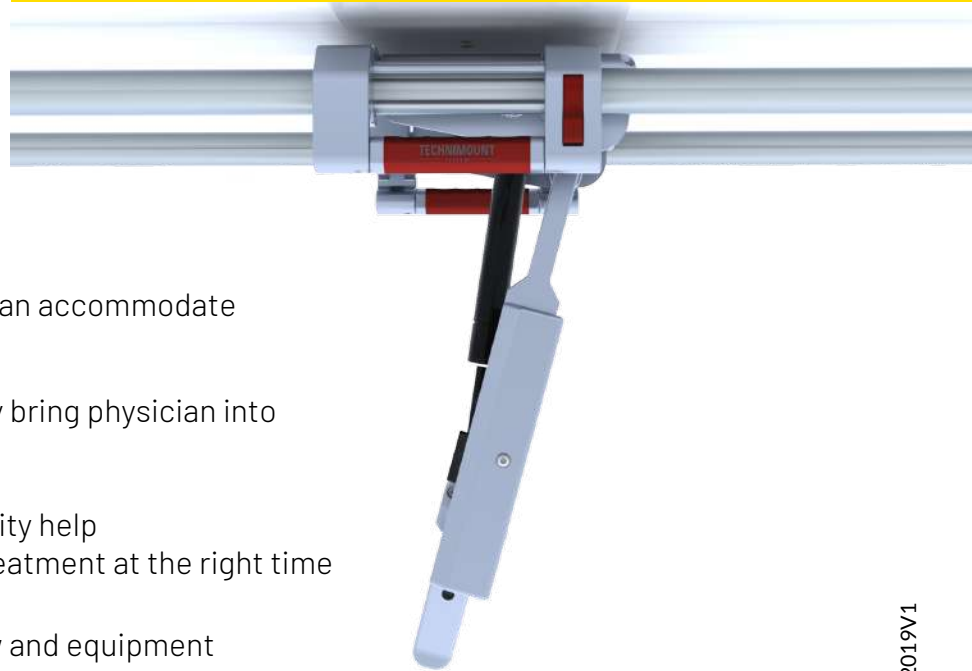


## Features

- ✓ Robust and durable design that can withstand even the toughest of use in EMS environments
- ✓ A unique locking mechanism to place the monitor according to patient position
- ✓ Folds up when not in use to maximize usage of space
- ✓ SAE J3043 certification in process

## Benefits

- ✓ A unique and flexible system that can accommodate different types of monitors
- ✓ Deployment in seconds to instantly bring physician into the field
- ✓ User-centric design and functionality help EMS personnel provide the right treatment at the right time
- ✓ Ensures the safety of patient, crew and equipment
- ✓ Reliable, simple to install and easy to use



SAFETY AND FLEXIBILITY  
WHERE IT MATTERS MOST

TECHNIMOUNT.COM

