



# TECHNIMOUNT SYSTEM™



## BRACKET PRO SERIE® 101

MOUNTING SYSTEM FOR THE TV-100™ VENTILATOR

### SAFETY AND FLEXIBILITY WHERE IT MATTERS MOST

The Bracket Pro Serie® 101 is designed to give fast and easy access to the TV-100 Ventilator. It is a lightweight and robust design allowing to secure the medical device during EMS and Critical Care transport.

The Bracket Pro Serie® 101 complies with the highest industry safety standards for transport of medical equipment, SAE J3043.

At Technimount, we understand that clients need solutions that they can count on. We design and develop the best solutions for quality, flexibility and safety in all of our mounting systems through collaborative partnerships with our customers.



Hospital



Ambulance



Stretcher



Military



Air

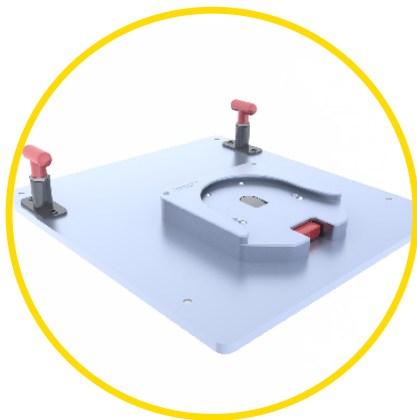
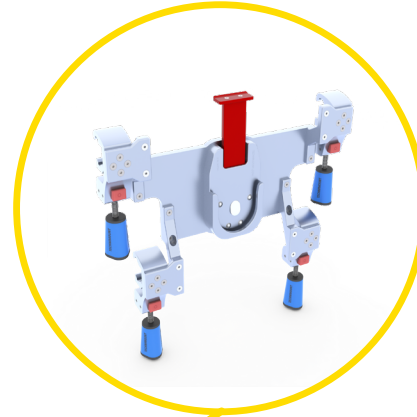
# BRACKET PRO SERIE® 101

## POTENTIAL CONFIGURATIONS

Safety MD Transporter



Wall Mount Systems (EU)



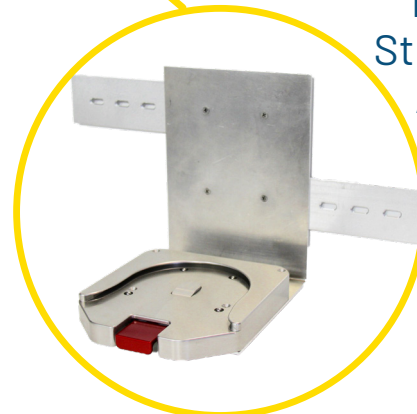
Floor Mount  
Air Ambulance



Technimount  
Stretcher Safety  
Arm System



Technimount Universal  
Standard Base



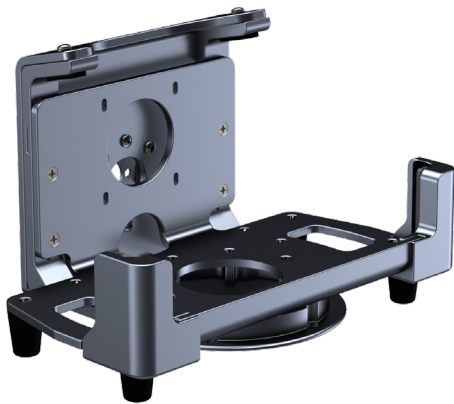
Wall Mount Systems (NA)

# TECHNICAL SPECIFICATIONS

<b>Product Name</b>	Bracket Pro Serie® 101
<b>Compatibility of Medical Device</b>	TV-100 Ventilator from Bio-Med Devices
<b>Environment of Usage</b>	EMS (Ground & Flight) – Hospital/Clinic, Military
<b>Device Section Material</b>	High-Density Aluminum with Silver-Anodized Finish – Acetal Feet
<b>Bottom Disc Section Material</b>	Aluminum with Stainless Steel Insert and Peek Cushions
<b>Anti-Rotation Back Disc Material</b>	High-Density Aluminum with Silver-Anodized Finish
<b>Temperature of Usage</b>	- 35° C @ 45° C (Direct Conduction)
<b>Impact Resistance – Ground - USA</b>	SAE J3043 (30 G) Plus 10% Safety Factor in process
<b>Medical Device Retaining System</b>	Device Retained on Main Assembly with Back Plate
<b>Retaining System</b>	2 Locking Discs – Standard Bottom Section – Back Anti-Rotation Micro Disc
<b>Transportation Compatibility System</b>	<ul style="list-style-type: none"> <li>• Compatible with Technimount’s Standard Surface Base</li> <li>• Compatible with Technimount’s Stretcher Safety Arm System For Stryker Cots (PowerPro – XT and Mx-Pro)</li> <li>• Compatible with the Floor Mount Platform (Flight)</li> <li>• Compatible with Wall Mount System (Micro Base System and Standard Surface Base)</li> <li>• Compatible with the Safety MD Transporter</li> </ul>
<b>Features</b>	<ul style="list-style-type: none"> <li>• Robust Mounting Solution for EMS/CCT/ALS Transport</li> <li>• Access to all Connectors and Accessories</li> </ul>
<b>Physical Overall Dimensions</b>	Length 8.189 in., Width 12.188 in., Height 8.274 in.
<b>Weight (Bracket Only)</b>	Bracket Only – 6.79 lbs Bracket with the Medical Device - 23.59 lbs
<b>Part Number</b>	Bracket only - 1210-10-TV



# YOUR SAFETY IS OUR PRIORITY



## FEATURES

- ✓ Bottom disc allows for 360° rotation when installed on Technimount's Standard Surface Base
- ✓ Anti-Rotation back disc for vertical support on different arm and wall systems
- ✓ Rubber pads on touch points inside the main assembly provide additional protection for the medical device
- ✓ No interference with system components, connectors, oxygen input, hot swappable battery, tubing or wires
- ✓ High-Density Aluminum with silver-anodized finish
- ✓ SAE J3043 (certification in process)
- ✓ Compatible with all of Technimount's Products

## BENEFITS

- + Multiple configurations on cot/stretchers, wall, Floor/Surface for EMS or Critical Care Transport
- + Access to medical device from all angles (360° rotation on Technimount's Standard Surface Base)
- + Lightweight and robust design
- + Scalable solution from simple to semi-complex to complex systems depending on the application and requirements
- + Transitions from EMS to CCT hospital with existing Technimount hospital mounting systems
- + Quick installation and removal of bracket from Technimount's mounting systems
- + Reduces risks of damage to the equipment and ensures the safety of patients and crew during EMS and Critical Care transport



## SAFETY AND FLEXIBILITY WHERE IT MATTERS MOST

[technimount.com](https://www.technimount.com)

