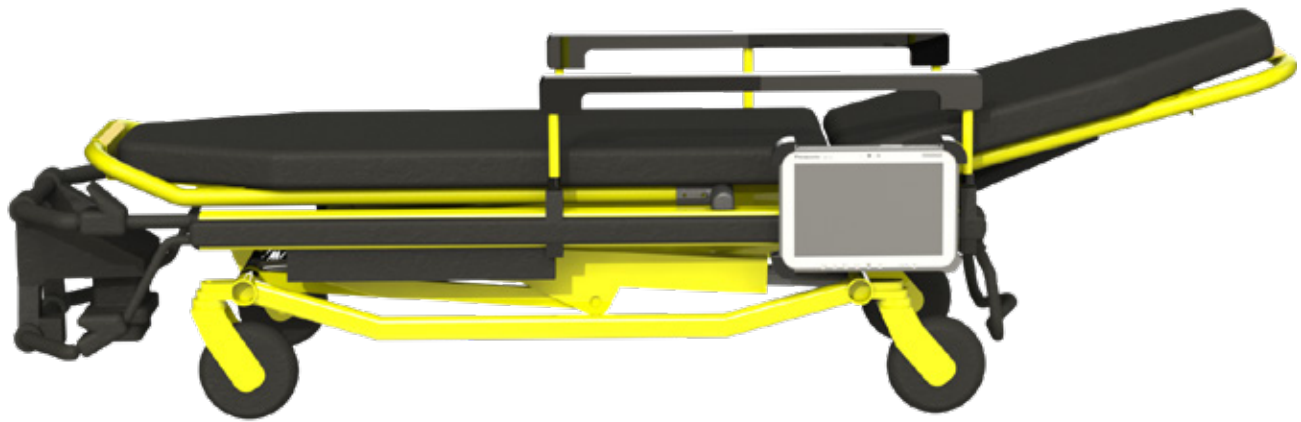




TECHNIMOUNT
SYSTEM™



TECHNI-TAB™ ASSISTANT

STRETCHER MOUNTING SYSTEM FOR TABLETS

SAFETY AND FLEXIBILITY WHERE IT MATTERS MOST

The Techni-Tab™ Assistant is a robust mounting system to securely install tablets on stretchers / cots for EMS and Critical Care Transport.

It is a highly flexible solution that can be installed on patient left or patient right side of the stretcher. The Techni-Tab Assistant increases the efficiency of daily operational activities, while reducing the risk of lost or damaged equipment.



Hospital



Ambulance



Stretcher



Military



Air

At Technimount System, we understand that EMS Providers need solutions that they can rely on. We design and develop quality mounting systems which are safe and flexible, allowing you to concentrate on what matters most - patient care.

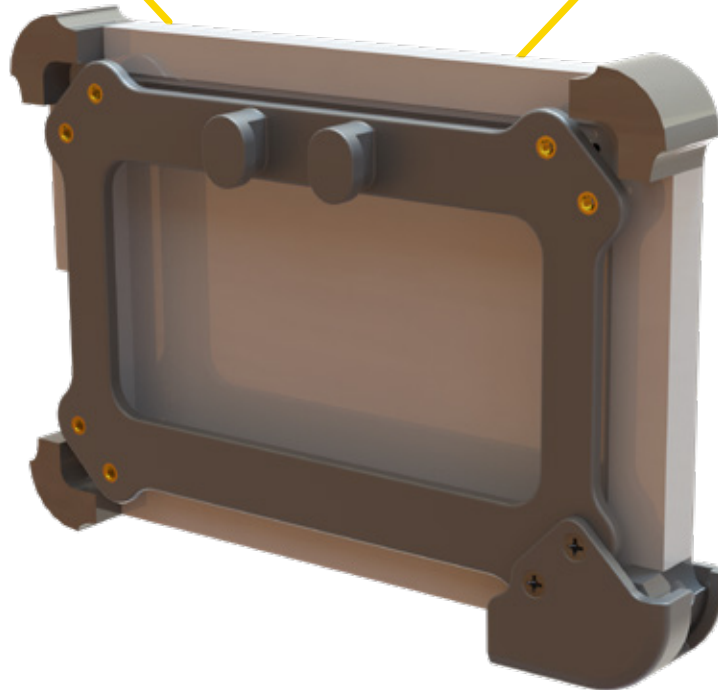
TECHNI-TAB™ ASSISTANT

POTENTIAL CONFIGURATIONS

Standard Side Mount



Extended Side Mount



TECHNICAL SPECIFICATIONS

Product Name	Techni-Tab™Assistant
Brand Compatibility	Stryker Stretchers
Compatibility Models	PowerPro XT, or Mx-Pro
Compatibility of Device	Panasonic Toughpad FZ-G1
Environment of Usage	EMS (Ground & Flight), Military
Device Section Material	High-Density Aluminum with Black-Anodized Finish
Stretcher Mounting System	Standard Side Mount with Quick Release Mechanism Extended Side Mount with Quick Release Mechanism
Temperature of Usage	- 35° C @ 45° C (Direct Conduction)
Features	<ul style="list-style-type: none"> • Stretcher Configuration Options - Patient Left and Patient Right Side • Quick Release Mechanism on the Standard and Extended Side Mount • No Interference with Tablet Ports, Connectors, Buttons, Camera or Microphone • Extended Side Mount has two positions available 0° and 45°
Physical Overall Dimensions (Bracket and Mount)	<p>Standard Side Mount</p> <ul style="list-style-type: none"> • Length 15.50 in., Width 5.10 in., Height 8.30 in. <p>Extended Side Mount</p> <ul style="list-style-type: none"> • Length 12.30., Width 4.50 in., Height 8.30 in.
Weight	<p>Bracket Only – 1.4 lbs</p> <p>Bracket with the Tablet - 2.6 lbs</p>
Part Number	<ul style="list-style-type: none"> • Techni-Tab Bracket for the Panasonic FZ-G1 – 562-10-TTBP • Techni-Tab Standard Side Mount – 560-10-SSM • Techni-Tab Extended Side Mount – 561-10-ESM • Techni-Tab Assistant Standard Kit for Panasonic FZ-G1 – 560-00-TPSK • Techni-Tab Assistant Extended Kit for Panasonic FZ-G1 – 561-00-TPXK



Standard Side Mount



Extended Side Mount

YOUR SAFETY IS OUR PRIORITY



FEATURES

- ✓ Multiple stretcher mounting options available such as the patient left side, or patient right side
- ✓ Extended Side Mount has two positions, 0° and 45°
- ✓ Robust support system to securely install the tablet to the stretcher
- ✓ Quick release mechanism to easily deploy the tablet from the stretcher
- ✓ Components and features are respected as bracket attaches to the outer points of the tablet
- ✓ Made from high-density aluminum with black-anodized finish
- ✓ Resistant to biological fluids and Quaternary-type disinfectants

BENEFITS

- + Securely install the tablet to various stretcher positions during patient transport
- + Clearly view the tablet screen to continue entering information during transport
- + Reduces the risk of damaged or lost equipment as the tablet is properly secured during transport
- + Quickly remove the tablet from the stretcher for fast and easy access during emergency calls
- + No interference with tablet ports, connectors, buttons, camera or microphone
- + Lightweight and robust stretcher mounting system designed for tough EMS environments
- + Easy to clean and disinfect



SAFETY AND FLEXIBILITY WHERE IT MATTERS MOST

technimount.com

