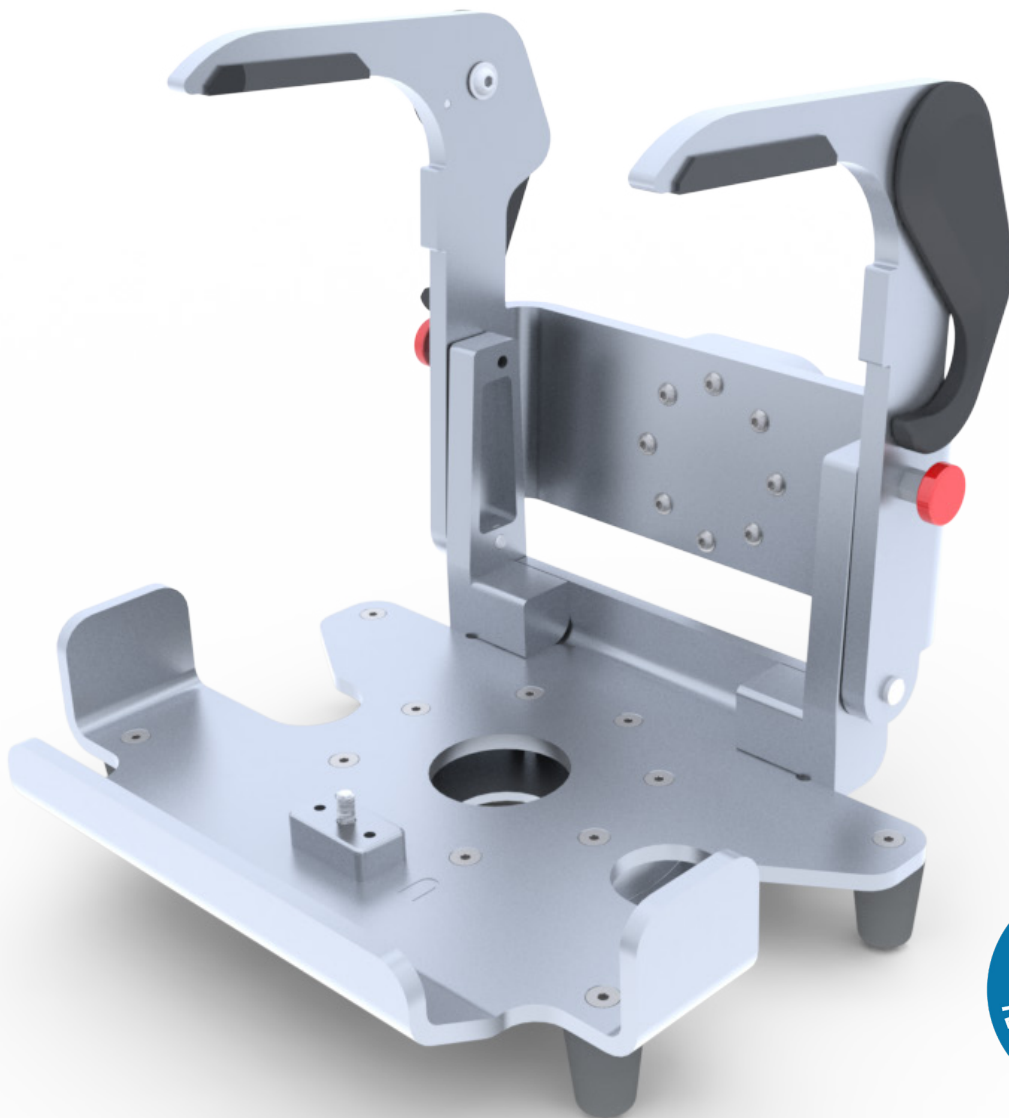




TECHNIMOUNT
SYSTEM™

BRACKET PRO SERIE® 60

MOUNTING SYSTEM FOR THE HAMILTON T-1 VENTILATOR



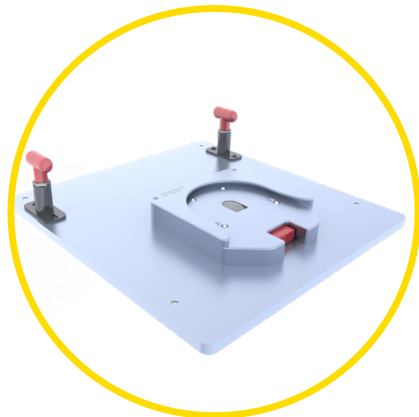
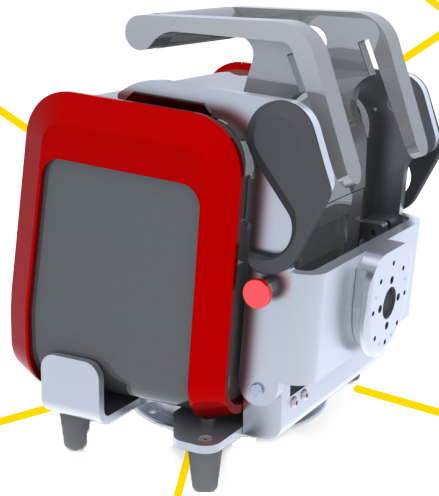
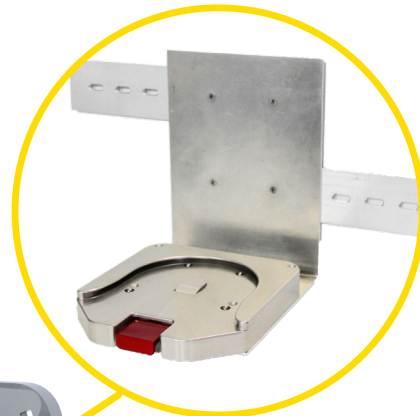
BRACKET PRO SERIE® 60

POTENTIAL CONFIGURATIONS

Safety MD Transporter



Wall Mount System



Air Ambulance
Floor Mount



Technimount
Stretcher Safety
Arm System



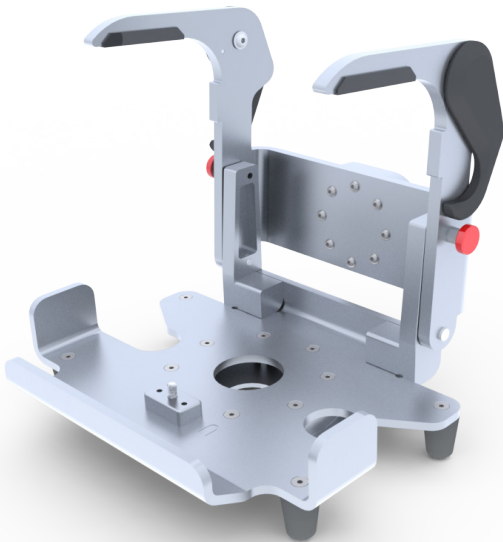
Technimount
Universal Standard
Surface Base

TECHNICAL SPECIFICATIONS

Product Name	Bracket Pro Serie® 60 Version 2
Compatibility of Medical Device	Hamilton T-1 Ventilator from Hamilton Medical
Environment of Usage	EMS/CCT (Ground & Flight) – Hospital/Clinic, Military
Device Section Material	High-Density Aluminum with Gray Anodized Finish
Bottom Disc Section Material	Aluminum with Stainless Steel Insert and Peek Cushions
Anti-Rotation Back Disc Material	High-Density Aluminum with Gray-Anodized Finish
Temperature of Usage	- 35° C @ 45° C (Direct Conduction)
Impact Resistance – Ground - USA	SAE J3043 (30 G) Plus 10% Safety Factor (in process)
Impact Resistance - Flight	FAA – FAR -DOT 27.561 & DOT 27.562 up to 20G (in process)
Medical Device Retaining System	Device Retained on Main Assembly with 2 upper arm locks, lateral blockers and one screw under the medical device
Retaining System	2 Locking Discs – Standard Bottom Section – Back Anti-Rotation Micro Disc
Transportation Compatibility System	Compatible with Technimount’s Standard Surface Base Compatible with Technimount’s Stretcher Safety Arm System For Stryker Cots (PowerPro – XT and Mx-Pro) Compatible with the Floor Mount Platform (Flight) Compatible with Wall Mount System (Micro Base System) Compatible with the Safety MD Transporter
Features	Robust Mounting Solution for EMS/CCT/ALS Transport Access to all Connectors and Accessories Flight and Ground Compatibility Multiple configuration options for transport
Physical Overall Dimensions	Length 11.25 in, Height 11.3 in, Depth 10.5 in
Weight (Bracket Only)	Bracket Only – 7.2 lb Bracket with the Medical Device 21.8 lb
Part Number	Bracket only - 700-11-HMDBH1



YOUR SAFETY IS OUR PRIORITY

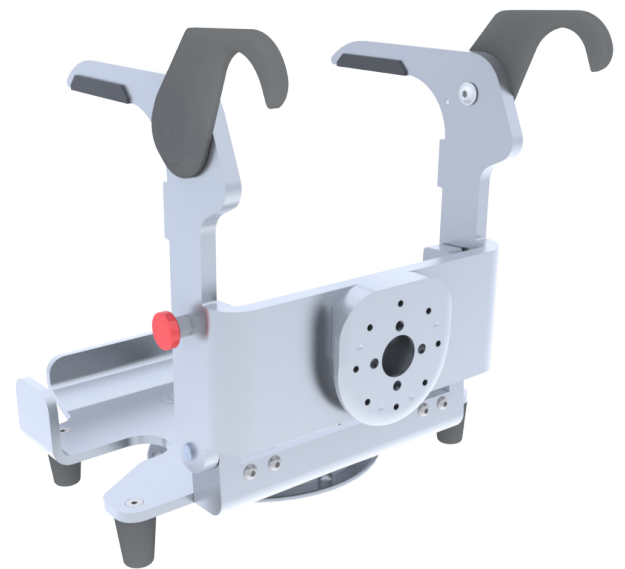


FEATURES

- ✓ Designed for the Hamilton T-1 Ventilator by Hamilton Medical
- ✓ Bottom disc allows for 360° rotation when installed on the Standard Surface Base
- ✓ Anti-Rotation back disc for vertical support on different wall and arm systems
- ✓ Dual locking system with red quick release mechanisms to easily install and remove the device from the bracket
- ✓ High-density aluminum with silver-anodized finish
- ✓ SAE J3043 (certification in process)
- ✓ Compatible with all of Technimount's products

BENEFITS

- + Multiple configurations on cot/stretchers, wall, floor/surface for EMS or Critical Care Transport
- + Access to medical device from all angles (360° rotation on Technimount's Standard Surface Base)
- + Simple to install, easy access for maintenance and integrity of medical device respected
- + Quick installation and removal of bracket from Technimount's mounting systems
- + Certified mounting systems that comply with the highest industry standards and regulations
- + Reduces risks of damage to the equipment and ensures the safety of patients and crew during EMS and Critical Care transport



SAFETY AND FLEXIBILITY WHERE IT MATTERS MOST

[technimount.com](https://www.technimount.com)



Hamilton T-1 is a Trademark of Hamilton Medical
Bracket Pro Serie is a Registered Trademark of Technimount System
Technimount System does not have a commercial relationship with Hamilton Medical
Hamilton Medical does not promote or sell Technimount products

© 2020 Technimount System - All Rights Reserved - Printed in Canada

BF60 V2 202001-V1