



TECHNIMOUNT SYSTEM™

UNIVERSAL

MOUNTING SYSTEM

FOR THE **IMPELLA**®¹



CARDIATEK™

A UNIVERSAL MOUNTING SYSTEM DESIGNED FOR THE
AUTOMATED IMPELLA CONTROLLER (AIC) FROM ABIOMED

HAVING AT HEART TO SUPPORT YOU IN LIFE-THREATENING SITUATIONS

The Cardiatek system is the only universal solution to mount the AIC in different applications such as, on surface, floor and wall systems. It is also designed to fit any ground and air ambulance configuration in North American and European markets.



Hospital



Ambulance



Military



Air

At Technimount, we understand that clients need solutions that they can count on. We design and develop the best solutions for quality, flexibility and safety in all of our mounting systems through collaborative partnerships with our customers.

CARDIATEK™ COMPLETE SYSTEM

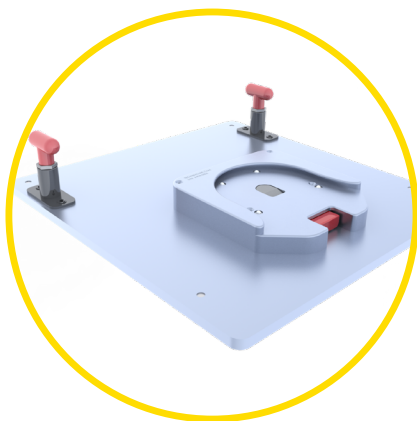
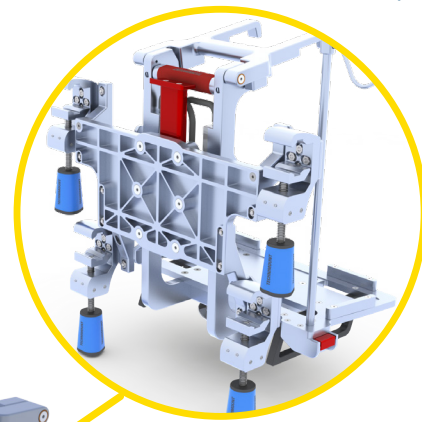
A System to secure the AIC medical device during transport to avoid possible injuries to patient and crew as well as reduce risks of potential damages to, or replacement of, medical equipment.

POTENTIAL CONFIGURATIONS

Mounting Bracket



Wall Mount System
(Ground Ambulance in Europe)



Air Ambulance
Floor Mount

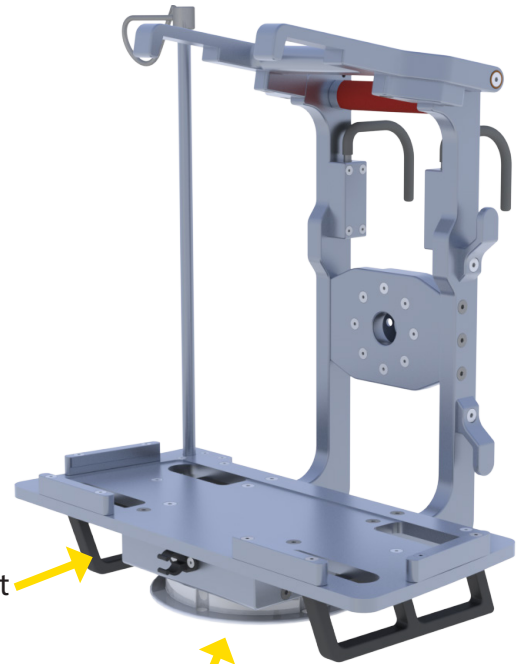


Standard Surface Base

CARDIATEK™ MOUNTING BRACKET

OVERVIEW OF FEATURES

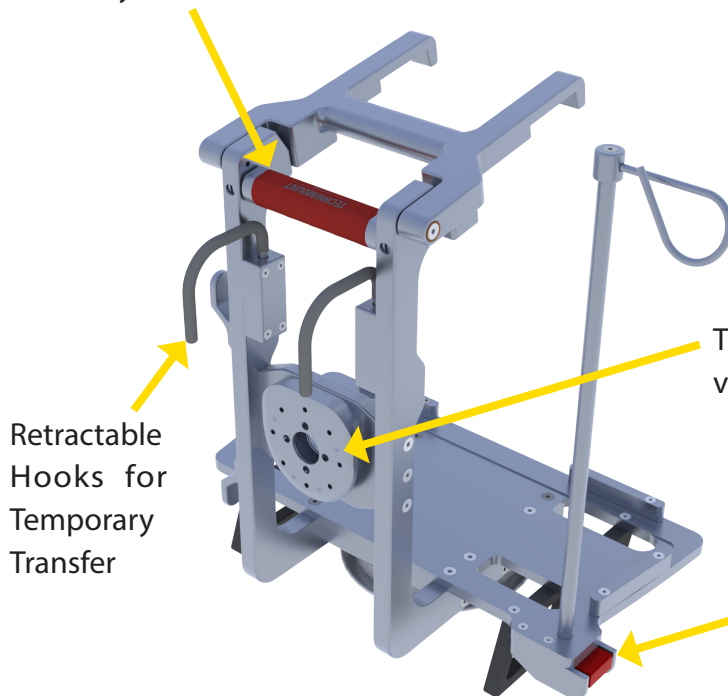
The Cardiatek mounting bracket is designed for the Automated Impella Controller (AIC) device. This Technimount solution is a flexible system that can be used in different applications, such as on surface, floor, and wall systems. With the use of the floor mount, this bracket is compatible with the floor platform of air ambulances in Europe. The wall mount and bracket can be used for ground ambulances in Europe and North America.



Acetal Feet to Protect the Disc and Bracket when Placed on the Floor or Ground

The top-down movable handle is designed for easy access to the unit.

The standard bottom disc is used with Technimount's universal standard bases that can be mounted in different locations according to configuration and desired position.



Retractable Hooks for Temporary Transfer

The small anti-rotation disc on the back is used for vertical support on different wall or arm systems.

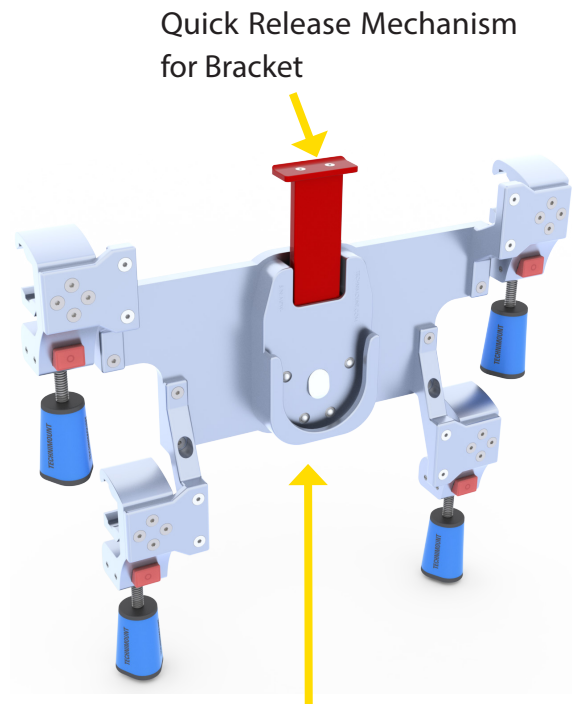
Quick Release Fluid Pole or Canister Holder

CARDIATEK™ WALL MOUNT

OVERVIEW OF FEATURES

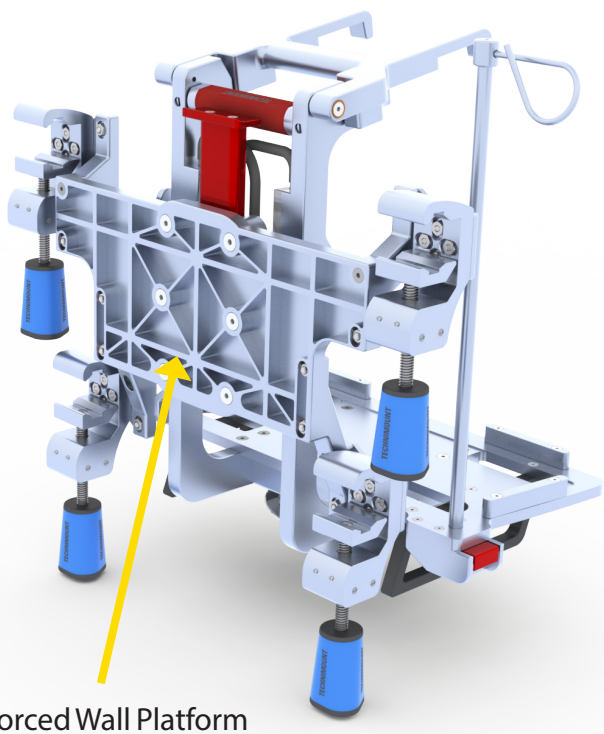
The Cardiatek Wall Mount is designed for the Automated Impella Controller (AIC) mounting bracket. It is comprised of a high-density aluminum frame that includes a micro base to accommodate the small anti-rotation disc on the back of the mounting bracket. Four quick release clamps are used to secure the wall mount on ground ambulance wall rails in Europe.

The Cardiatek Wall Mount is compatible with all of Technimount's products.



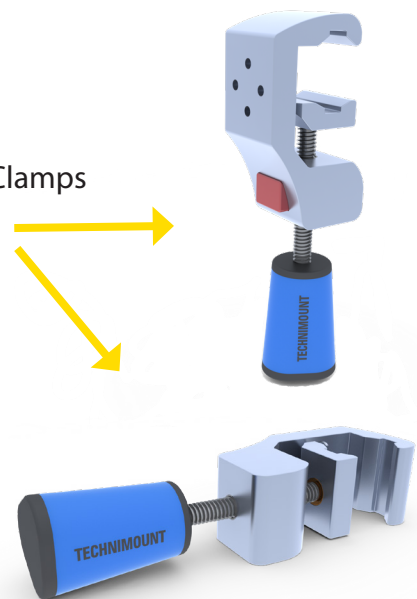
Quick Release Mechanism for Bracket

Vertical Micro Base with Long Release Button for Easy Access



Reinforced Wall Platform with Lightweight Design

Quick Release Clamps QR-Gripp™

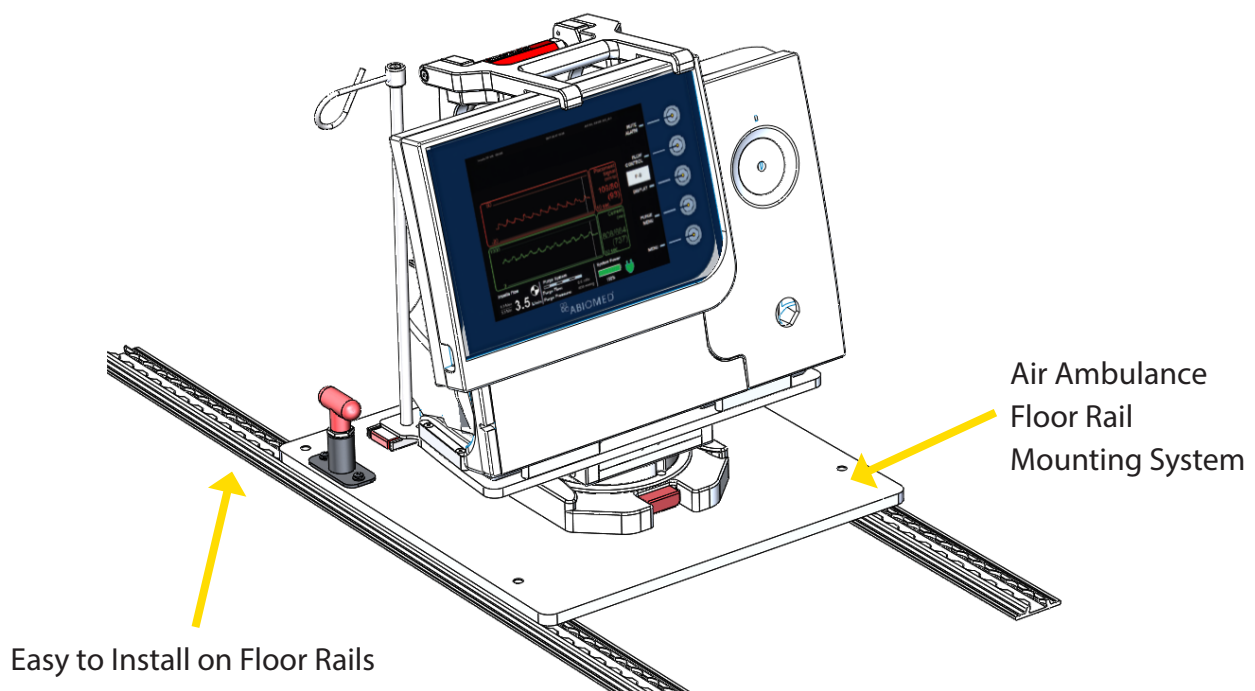
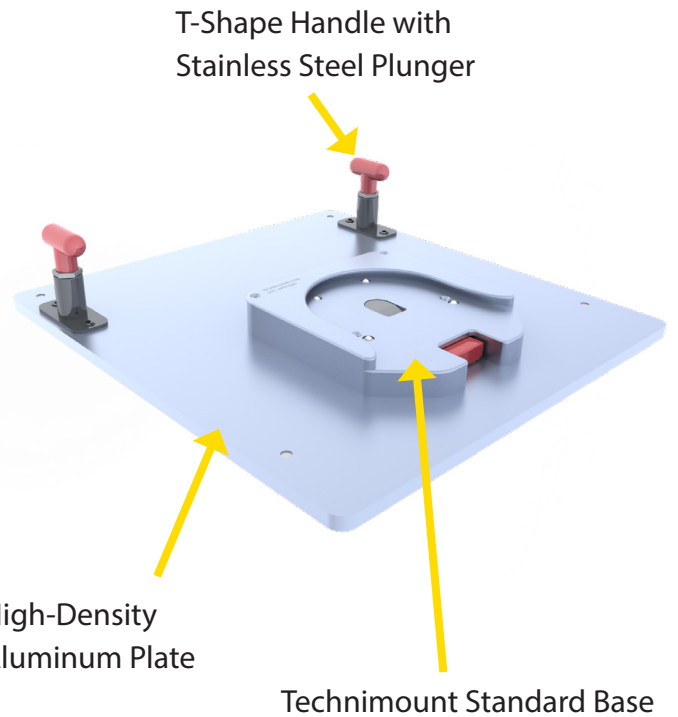


CARDIATEK™ FLOOR MOUNT

OVERVIEW OF FEATURES

The floor mount is designed for floor rails of air ambulances in Europe. The system is comprised of a high-density aluminum plate with T-shape handles with stainless steel plungers for easy installation into the floor rails. The floor mount with a Technimount standard base can accommodate the Cardiatek mounting bracket, as well as a multitude of different medical devices that have a Technimount bracket and bottom disc.

The Cardiatek floor mount is compatible with all of Technimount's products.



CARDIATEK™ COMPLETE SYSTEM

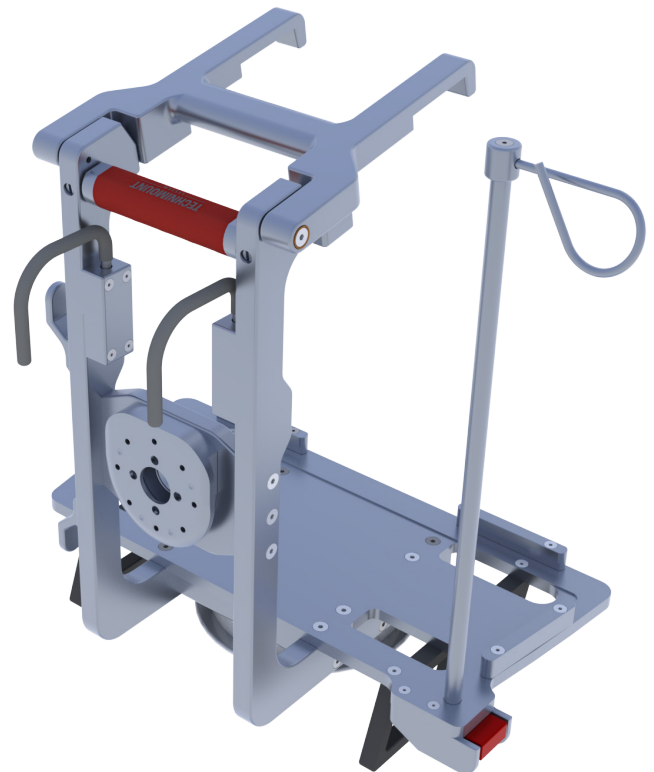


FEATURES

- ✓ Compatible with Technimount's products
- ✓ Compatible with Technimount's universal standard base for NA ambulance builders
- ✓ Compatible with air ambulance floor and ground ambulance rail mount systems in Europe
- ✓ Includes hooks for power cable, canister holder and quick release removable fluid pole
- ✓ Top-down movable handle for easy access to the unit
- ✓ SAE J3043 certification in progress (Ground USA-Canada) and DIN EN 1789 (Europe)

BENEFITS

- + Flexibility for use in different applications (surface, floor and wall systems) as well as other EMS or hospital environments
- + Access to screen from all angles (360° rotation)
- + Easy insertion of the AIC into bracket (top insert)
- + Built-in quick release mechanisms to easily remove device almost instantly
- + Reduce risk of damage causing costly repairs or complete replacement of medical equipment
- + Quick installation by end user with no modification needed to medical equipment



TECHNICAL SPECIFICATIONS

Product Name (Bracket)	Cardiatek™
Compatibility of Medical Device	Automated Impella Controller (AIC)
Environment of Usage	EMS (Ground & Flight) – Hospital/Clinic, Military
Device Section Material	High-Density Aluminum – Urethane – Stainless Steel
Disc Section Material	Aluminum with Stainless Steel Insert and Peek Cushions
Temperature of Usage	- 35° C @ 45° C (Direct Conduction)
Impact Resistance – Ground - USA	SAE J3043 (30 G) Plus 10% Safety Factor - in Process
Impact Resistance – Ground – EU	DIN EN 1789 (10 G) - in Process
Impact Resistance – Flight	FAA – FAR -DOT 27.561 & DOT 27.562 up to 20G - in Process
European Standard	CE Mark - in Process
Medical Device Retaining System	Device Retained on Platform - Top Down Handle for Locking
Locking Mechanism Movement Tested	Tested 20,424 Cycles: Press and Release, Movement with Minor Use – Fully Functional – 5-Year Service Life
Retaining System	2 Locking Discs – Standard Bottom Section – Anti-Rotation Back Micro Disc
Canister – Fluid Bag Holder	Removable Canister and Fluid Pole Holder
Transportation Compatibility System	<ul style="list-style-type: none">• Compatible with Floor Mount Platform (Flight)• Compatible with Wall Mount System (Micro Base System)
Features	<ul style="list-style-type: none">• Access to all Connectors and Accessories• No Attachment Point on the Medical Device• Retractable hooks for Temporary Transport• Cable Holder• Top Handle to Easily Carry Device
Physical Overall Dimensions	Width 16 in, Depth 10 in, Height 17-1/4 in
Weight (Bracket Only)	Device Section – 12.1 lbs
Part Numbers	
Bracket Only	552-10-AB-BR
Wall Mount Only	553-20-AB-WA
Floor Mount	554-20-AB-FL
Universal Standard Base	100-20-UN

YOUR SAFETY IS OUR PRIORITY

When it comes to air and ground ambulance transport, patient and crew safety is the main concern. Providing safe transport not only applies to the vehicle or aircraft itself but also to the ability to effectively secure medical equipment.

Having robust and certified mounting systems can help avoid costly repairs, complete replacement of equipment and possible injuries to patients and crew.



ABOUT TECHNIMOUNT

Technimount designs and develops mounting solutions for different medical equipment such as defibrillators, ventilators, and pumps or other devices, in hospital, EMS, or military environments.

Technimount System is the only manufacturer to have a universal mounting system that can fit on multiple brands, models, and applications of portable medical equipment for ambulances, stretchers, and hospital environments.

**SAFETY AND FLEXIBILITY
WHERE IT MATTERS MOST**

[technimount.com](https://www.technimount.com)

