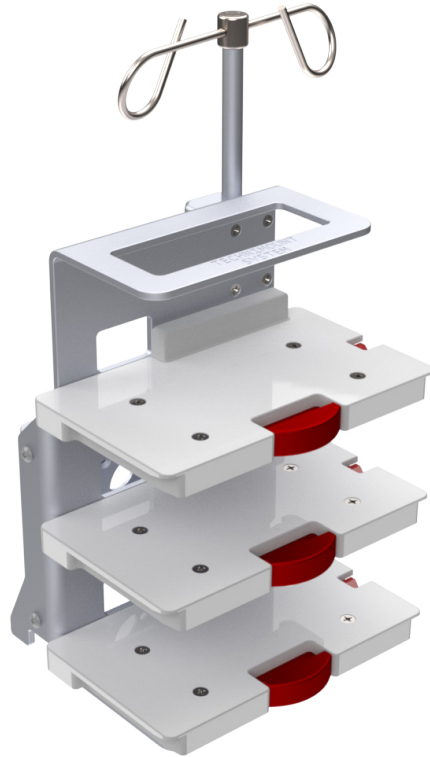




TECHNIMOUNT
EMS™



BRACKET PRO SERIE® 80-GR

MOUNTING SYSTEM FOR GROUND TRANSPORT OF THE
B.BRAUN INFUSOMAT® VOLUMETRIC AND PERFUSOR® SPACE PUMPS

SAFETY & FLEXIBILITY WHERE IT MATTERS MOST

The Bracket Pro Serie® 80-GR is for Ground EMS and Critical Care Transport of 3 B.Braun Infusomat Volumetric and Perfusor pumps on stretchers/cots and walls.

The Bracket Pro Serie 80-GR is designed to comply with the highest industry safety standards for transport of medical equipment, SAE J3043.



Ambulance



Stretcher



Military



Air

At Technimount EMS, we understand that EMS and Critical Care Transport teams need solutions that they can rely on. We design and develop quality mounting systems which are safe and flexible, allowing you to concentrate on what matters most - patient care.

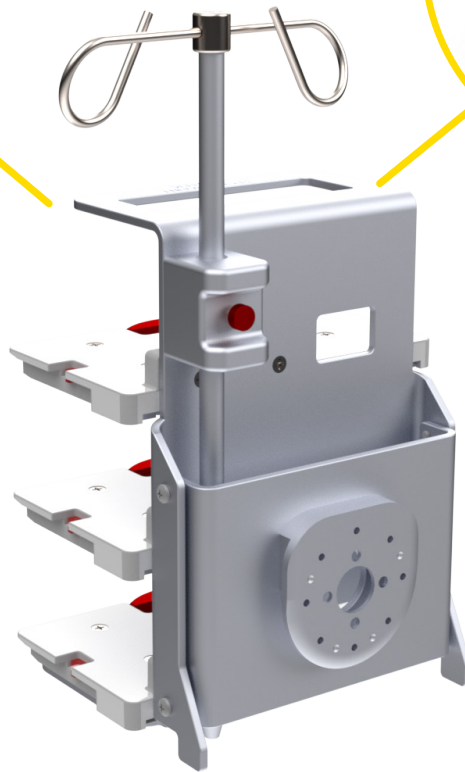
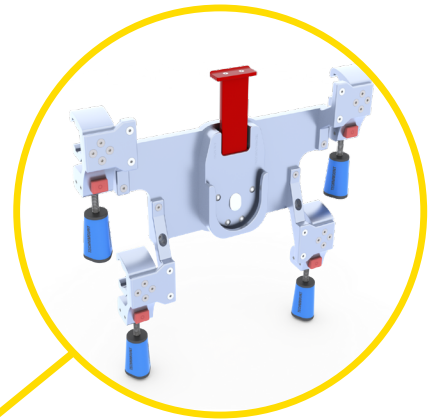
BRACKET PRO SERIE® 80-GR

POTENTIAL CONFIGURATIONS

Safety MD Transporter



Wall Mount System (EU)

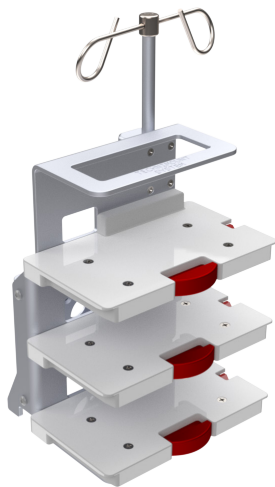


TECHNICAL SPECIFICATIONS

Product Name	Bracket Pro Serie® 80-GR
Product Description	Single disc bracket mounting system to secure B.Braun Pumps on cot/ stretchers and walls in emergency vehicles
Compatibility of Medical Device*	B.Braun Infusomat® Volumetric and Perfusor® Space Pumps
Environment of Usage	EMS/CCT (Ground) – Hospital/Clinic, Military
Product Section Material	<ul style="list-style-type: none">• Main assembly : Aluminum 6061-T6• Shelves: UV Stabilized White ABS• IV Pole: Aluminum 6061-T6• IV Pole Hooks : Stainless Steel
Product Finish	<ul style="list-style-type: none">• Main assembly: Silver-Anodized Finish• Micro Disc : Silver-Anodized Finish• IV Pole: Silver-Anodized Finish
Environmental Regulations	Complying with RoHS 3
Temperature of Usage	- 35° C to 45° C
Certification	Designed to Comply with: <ul style="list-style-type: none">• SAE J3043 (26 G)• FAA-FAR-DOT 27.561 & DOT 27.562 (Flight)
Installations	Proprietary Locking Mechanism on Each Shelf
Attachment Options	Anti-Rotation Micro Disc
Transportation Compatibility System	Compatible with Technimount's: <ul style="list-style-type: none">• Safety MD-Transporter• Wall Mount Systems
Features	<ul style="list-style-type: none">• Robust Mounting Solution for EMS/CCT/ALS Transport• Access to all Connectors and Accessories• Ground Compatibility (Flight Models Available)• Integrated IV Pole with Red Quick Release Mechanism• Multiple Configuration Options for Transport• Red Quick Release Mechanism to Easily Insert and Remove Pumps
Physical Overall Dimensions	Width 7.94 in, Depth 7.30 in, Height 10.63 in
Weight	7.40 lb
Part Numbers	<ul style="list-style-type: none">• 1110-12-BBRK3GR - Bracket Pro Serie 80-GR• 120-20-UN - Micro Base
Other Models and Configurations Options	Contact Technimount EMS for more information or for other options at customerservice@technimount.com

* Product and medical equipment manufacturers names are trademarks™ or registered trademarks® of their respective holders. Technimount does not have a commercial relationship with these medical equipment manufacturers.

YOUR SAFETY IS OUR PRIORITY

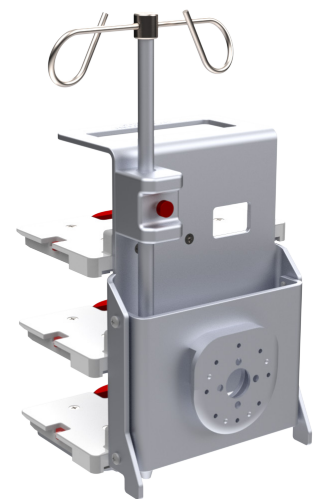


FEATURES

- ✓ Designed to secure 3 B.Braun Infusomat or Perfusor Space Pumps during Ground EMS/Critical Care Transport
- ✓ Medical device retained on main assembly with proprietary locking mechanism on each shelf
- ✓ Red Quick Release Mechanism to instantly remove the pump from the bracket
- ✓ Anti-Rotation Micro Disc to support multiple mounting configurations on stretcher/cots and wall systems
- ✓ IV Pole with Red Quick Release Mechanism for use during temporary transfer from bed to stretcher
- ✓ High-density aluminum with silver-anodized finish
- ✓ Designed to comply with SAE J3043

BENEFITS

- + Flexible for use in different applications (stretcher/cot and wall systems) and adaptable to quantity of pumps required for transport
- + Easily install and remove the medical device from the bracket for maintenance
- + No interference with the medical device components, cables and tubing
- + Access to medical device from all angles (360° rotation on the Safety MD-Transporter with Vertical Micro Base)
- + Quickly install the IV Pole during temporary transfer from bed to stretcher
- + Certified mounting system that complies with the highest industry standards and regulations
- + Reduces risks of damage to the equipment and ensures the safety of patients and crew during EMS and Critical Care transport



SAFETY AND FLEXIBILITY WHERE IT MATTERS MOST

technimount.com

