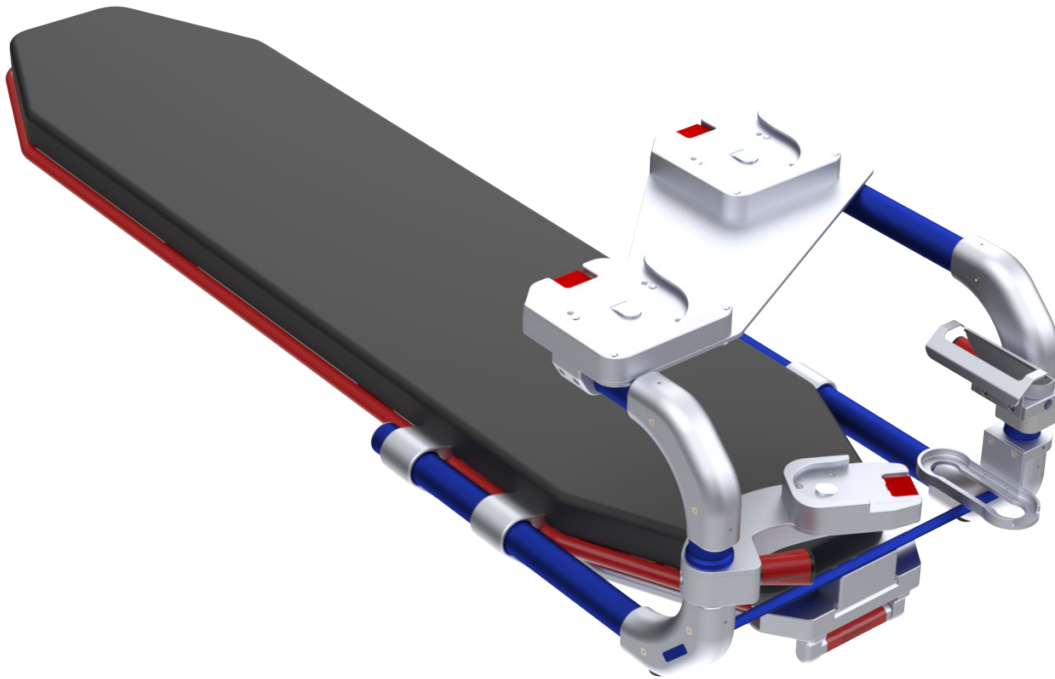




TECHNIMOUNT
EMS™



XTENSION PRO™ ASSISTANT - LP

MOUNTING SYSTEM FOR AIR TRANSPORT OF
MULTIPLE MEDICAL DEVICES ON THE LIFEPORT™ COT

SAFETY & FLEXIBILITY WHERE IT MATTERS MOST

The Xtension Pro™ Assistant - LP is designed for air critical care transport. It facilitates lateral patient transfer from bed to cot and improves accessibility to patients during transport.

The Xtension Pro™ Assistant - LP is tested in compliance with FAA, 14 CFR 23, ensuring the safety of patients and crews during air transport.



Air

At Technimount EMS, we understand that EMS and Critical Care Transport teams need solutions that they can rely on. We design and develop quality mounting systems which are safe and flexible, allowing you to concentrate on what matters most - patient care.

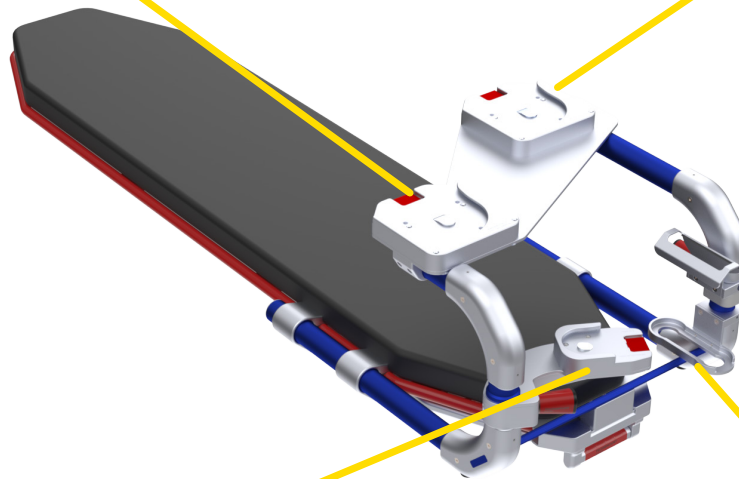
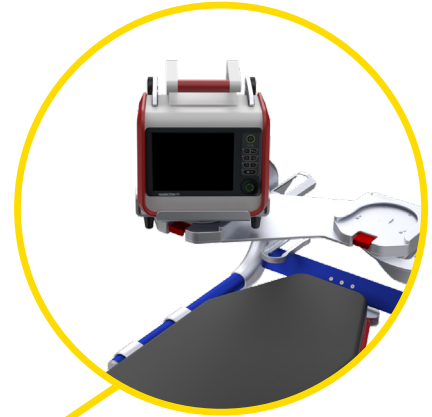
XTENSION PRO™ ASSISTANT - LP

POTENTIAL CONFIGURATIONS

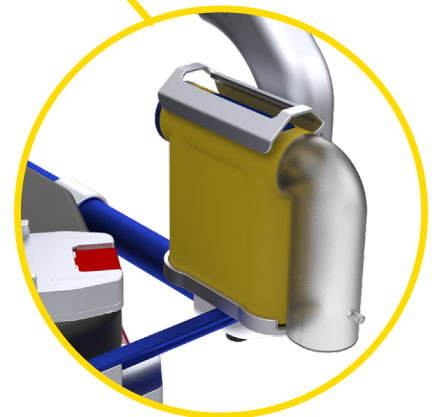
Monitor/Defibrillator



Ventilator



Pumps



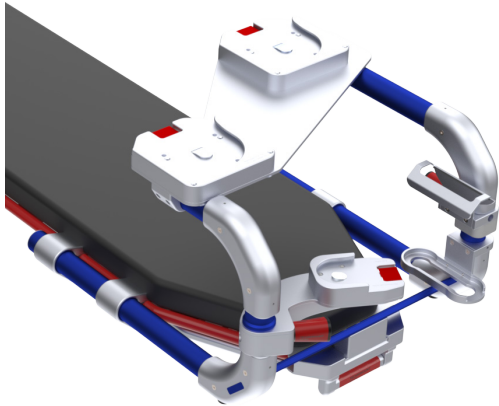
Suction Pump

TECHNICAL SPECIFICATIONS

Product Name	Xtension Pro™ Assistant - LP
Product Description	Mounting systems for multiple devices on the LifePort Cot for critical care transport
Compatibility of Stretcher*	LifePort Cot
Compatibility of Mounting Systems	All Technimount EMS Brackets with Standard Bottom Disc and Bottom Micro Disc
Environment of Usage	CCT (Flight)
Product Section Material	<ul style="list-style-type: none">• Main Assembly: Aluminum 6061-T6• Cot Support Structure: Aluminum 5052-H32• Locking Handle: Aluminum 6061-T6 with Polyurethane Overmold
Product Finish	<ul style="list-style-type: none">• Main Assembly: Blue-Anodized Finish• Cot Support Structure: Silver-Anodized Finish
Environmental Regulations	Complying with RoHs 3
Temperature of Usage	-35° C to 45° C
Certification	Tested in Compliance with: <ul style="list-style-type: none">• FAA, 14 CFR § 23 (applicable sections)
Installation	Locking System - Main Assembly Slides into 4 Clamp Blocks Installed on the Cot Locking Handle located at the Foot End of the Cot is used to Easily Remove the System from the Cot
Transportation Compatibility System	Compatible with Technimount's: <ul style="list-style-type: none">• Bracket Pro Serie® Mounting Systems with Standard Bottom Disc and Bottom Micro Disc
Features	<ul style="list-style-type: none">• 2 Standard Surface Bases with 360° Rotation• Swivel Micro Shelf with 4 Different Positions• Integrated Suction Pump Bracket (Optional)
Positioning Configuration	Mirror Positioning for the Upper Tray Available Upon Request
System Physical Overall Dimensions	Width 23.6 in, Depth 28.4 in, Height 20.9 in
Complete System Weight (with Brackets, without Medical Device)	<ul style="list-style-type: none">• 36.4 lb - Equipment Support Structure• 51.7 lb - Total Weight of System
Maximum Estimated Loading Capacity	65 lb
Part Number	<ul style="list-style-type: none">• 1500-00-LPT01 - Xtension Pro Assistant - LP
Other Models and Configuration Options	Contact Technimount EMS for more information or for other options at customerservice@technimount.com

* Product and medical equipment manufacturers names are trademarks™ or registered trademarks® of their respective holders. Technimount does not have a commercial relationship with these medical equipment manufacturers.

YOUR SAFETY IS OUR PRIORITY

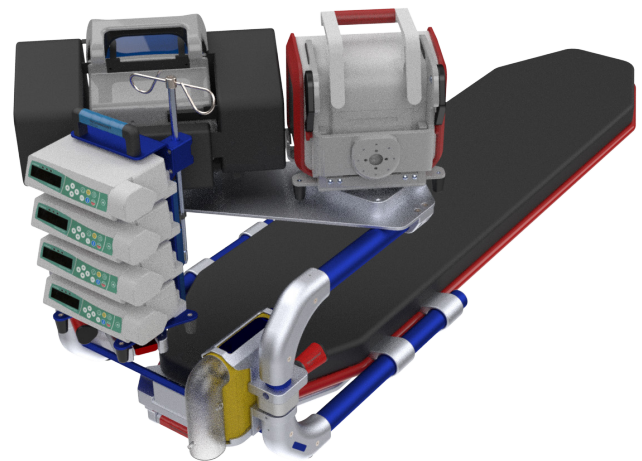


FEATURES

- ✓ Secures multiple medical devices during Air Critical Care Transport
- ✓ 2 Standard Surface Bases (360° rotation) compatible with Technimount's Bracket Pro Serie with Standard Bottom Disc
- ✓ Swivel Micro Shelf with 4 different positions compatible with Technimount's Bracket Pro Serie with Bottom Micro Disc
- ✓ Locking Handle located at the Foot End of the cot
- ✓ Integrated Suction Pump Bracket (Optional)
- ✓ Made from high-density aluminum with blue and silver-anodized finish
- ✓ Tested in compliance with FAA, 14 CFR § 23 (applicable sections)

BENEFITS

- + Curved design facilitates lateral patient transfer from bed to cot and optimizes space within the aircraft
- + Reduces medical equipment installation time and improves equipment management during patient transport
- + Increases flexibility and access to medical devices from all angles
- + Improves accessibility to patient during air transport
- + Certified mounting system that complies with the highest industry standards and regulations
- + Reduces the risk of damage to the equipment and ensures the safety of patients and crews during air transport



SAFETY AND FLEXIBILITY WHERE IT MATTERS MOST

[technimount.com](https://www.technimount.com)

