



**TECHNIMOUNT**  
EMS™



## **BRACKET PRO SERIE® 121-GR**

MOUNTING SYSTEM FOR GROUND TRANSPORT  
OF THE BAXTER SPECTRUM IQ INFUSION PUMPS

### **SAFETY & FLEXIBILITY WHERE IT MATTERS MOST**

The Bracket Pro Serie® 121-GR is for ground EMS and Critical Care Transport of 3 Baxter Spectrum IQ Infusion pumps on stretchers/cots and walls.

The Bracket Pro Serie 121-GR is designed to comply with the highest industry safety standards for transport of medical equipment, SAE J3043.



**Ambulance**



**Stretcher**



**Military**



**Air**

At Technimount, we understand that EMS Providers need solutions that they can rely on. We design and develop quality mounting systems which are safe and flexible, allowing you to concentrate on what matters most - patient care.

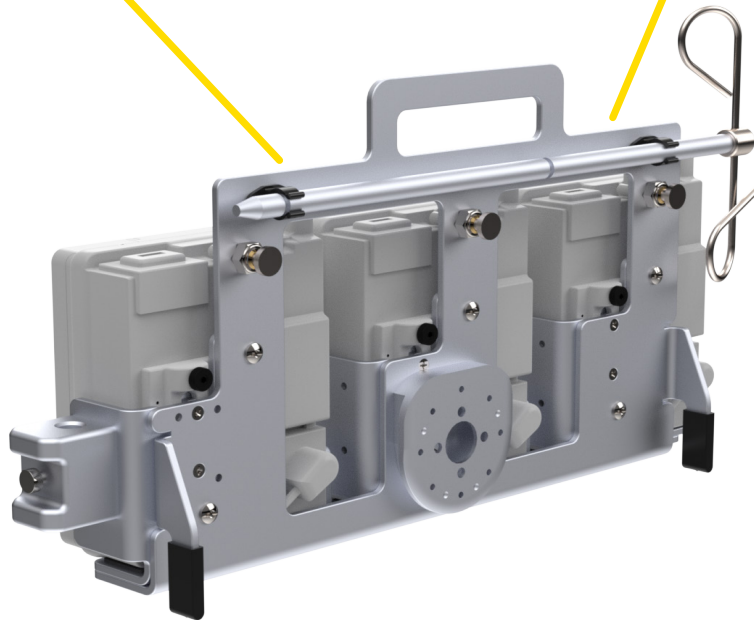
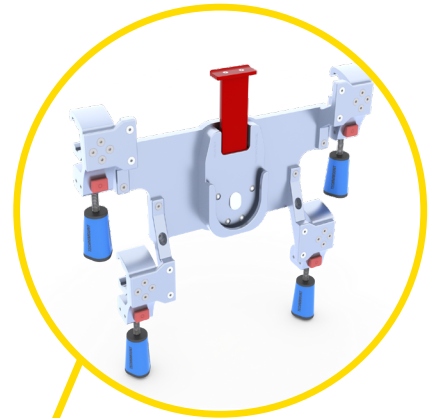
# BRACKET PRO SERIE® 121-GR

## POTENTIAL CONFIGURATIONS

Safety MD Transporter



Wall Mount System (EU)

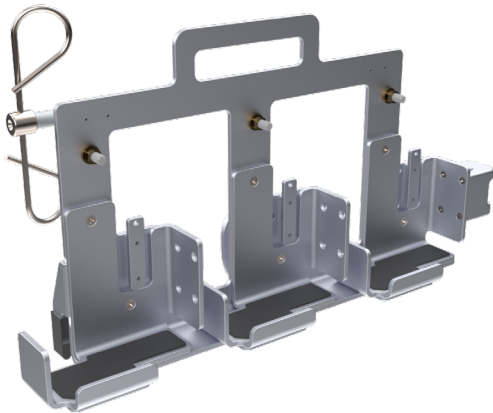


# TECHNICAL SPECIFICATIONS

<b>Product Name</b>	Bracket Pro Serie® 121-GR
<b>Product Description</b>	Bracket mounting system to secure Spectrum IQ Infusion Pumps on cots/stretchers and walls in emergency vehicles
<b>Compatibility of Medical Device</b>	Baxter Spectrum IQ Infusion Pumps
<b>Environment of Usage</b>	EMS/CCT (Ground) – Hospital/Clinic, Military
<b>Device Section Material</b>	Main Assembly: Aluminum 6061-T6
<b>Anti-Rotation Back Disc Material</b>	Main Assembly: Silver-Anodized Finish
<b>Environmental Regulations</b>	Complying with RoHS 3
<b>Temperature of Usage</b>	- 35° C to 45° C
<b>Certification</b>	Designed to Comply with SAE J3043 (26 G)
<b>Installation</b>	Device retained on main assembly with Quick Release Mechanism
<b>Attachment Options</b>	Anti-Rotation Micro Disc
<b>Transportation Compatibility System</b>	Compatible with Technimount's: <ul style="list-style-type: none"><li>• Safety MD Transporter</li><li>• Wall Mount Systems</li></ul>
<b>Features</b>	<ul style="list-style-type: none"><li>• Robust Mounting Solution for EMS/CCT/ALS Transport</li><li>• Access to all Connectors and Accessories</li><li>• Ground Compatibility (Flight compatible Models Available)</li><li>• Multiple Configuration Options for Transport</li><li>• Quick Release Mechanism to Easily Insert and Remove the Pumps</li></ul>
<b>Physical Overall Dimensions</b>	Width 20.30 in, Depth 4.50 in, Height 10.64 in
<b>Weight</b>	5.72 lb
<b>Part Number</b>	<ul style="list-style-type: none"><li>• 1520-10-BXIQ-GR3 - Bracket Pro Serie® 121-GR</li><li>• 120-20-UN - Micro Base</li></ul>
<b>Other Models and Configuration Options</b>	Contact Technimount EMS for more information or for other options at <a href="mailto:customerservice@technimount.com">customerservice@technimount.com</a>

\* Product and medical equipment manufacturer names are trademarks™ or registered trademarks® of their respective holders. Technimount does not have a commercial relationship with these medical equipment manufacturers.

# YOUR SAFETY IS OUR PRIORITY



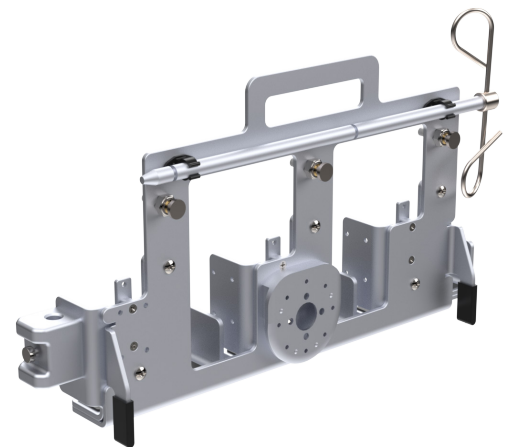
## FEATURES

- ✓ Designed to secure 3 Baxter Spectrum IQ Infusion Pumps during Ground EMS/Critical Care Transport
- ✓ Medical device retained on main assembly with proprietary locking mechanism on each shelf
- ✓ Quick Release Mechanism to instantly remove the pump from the bracket
- ✓ Anti-Rotation Micro Disc to support multiple mounting configurations on stretcher/cots and wall systems
- ✓ IV Pole with Quick Release Mechanism for use during temporary transfer from bed to stretcher
- ✓ High-density aluminum with silver-anodized finish
- ✓ Designed to comply with SAE J3043

## BENEFITS

- + Increases flexibility in EMS/CCT practices with multiple configuration options available (stretcher/cot and wall systems)
- + Easily install and remove the medical device from the bracket for maintenance
- + No interference with the medical device components, cables and tubing
- + Access to medical device from all angles (360° rotation on the Safety MD Transporter with Vertical Micro Base)
- + Quickly install the IV Pole during temporary transfer from bed to stretcher and store directly on the bracket when not in use
- + Certified mounting system that complies with the highest industry standards and regulations
- + Reduces risks of damage to the equipment and ensures the safety of patients and crew during EMS and Critical Care transport

## SAFETY AND FLEXIBILITY WHERE IT MATTERS MOST



[technimount.com](http://technimount.com)

