



TECHNIMOUNT
EMS™



BRACKET PRO SERIE® 92 - FL4

MOUNTING SYSTEM FOR AIR AND GROUND TRANSPORT OF
SAPPHIRE™ MULTI-THERAPY INFUSION PUMPS

SAFETY & FLEXIBILITY WHERE IT MATTERS MOST

The Bracket Pro Serie® 92 - FL4 is designed for Air and Ground EMS and Critical Care Transport of up to 4 Sapphire™ Multi-Therapy Infusion Pumps.

Highly flexible, Bracket Pro Serie® 92 - FL4 easily installs and transfers between stretchers/cots, counters and walls in aircraft and ground ambulances.



Ambulance



Stretcher



Military



Air

At Technimount EMS, we understand that EMS and Critical Care Transport teams need solutions that they can rely on. We design and develop quality mounting systems which are safe and flexible, allowing them to concentrate on what matters most - patient care.

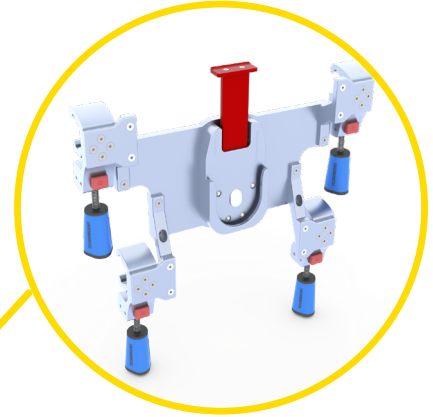
BRACKET PRO SERIE® 92 - FL4

POTENTIAL CONFIGURATIONS

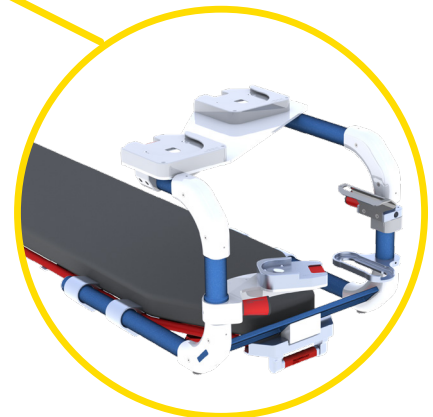
Safety MD Transporter



Wall Mount System (EU)



Safety MD Transporter
(Horizontal)



Xtension Pro Assistant - LP

TECHNICAL SPECIFICATIONS

Product Name	Bracket Pro Serie® 92 - FL4
Product Description	Bracket mounting system to secure up to 4 Sapphire Multi-Therapy Infusion Pumps on cots/stretchers, counters and walls in aircraft and ground ambulances
Compatibility of Medical Device*	Sapphire™ Multi-Therapy Infusion Pump
Environment of Usage	EMS/CCT (Ground & Air) - Hospital/Clinic, Military
Product Section Material	<ul style="list-style-type: none">• Main Assembly: Aluminum 6061-T6• Bottom Micro Disc: Aluminum 6061-T6• Anti-Rotation Micro Disc: Aluminum 6061-T6
Product Finish	<ul style="list-style-type: none">• Main Assembly: Blue-Anodized Finish• Bottom Micro Disc: Silver-Anodized Finish• Anti-Rotation Micro Disc: Silver-Anodized Finish
Environmental Regulations	Complying with RoHS 3
Temperature of Usage	- 35° C to 45° C
Certification	Designed to Comply with: <ul style="list-style-type: none">• SAE J3043 (26 G)• FAA, 14 CFR § 23 (applicable sections)
Installation	Device clipped into pump holder with Red Quick Release Mechanism
Attachment Options	2 Locking Discs - Bottom Micro Disc - Anti-Rotation Micro Disc
Transportation Compatibility System	Compatible with Technimount's: <ul style="list-style-type: none">• Xtension Pro Assistant - LP• Safety MD Transporters• Wall Mount Systems
Features	<ul style="list-style-type: none">• Robust Mounting Solution for EMS/CCT/ALS• Air and Ground Compatibility• Multiple Configuration Options for Transport• Red Quick Release Mechanism to Easily Insert and Remove the Pumps from the Bracket• IV Pole with Quick Release Mechanism for use during Air Transport
Physical Overall Dimensions	Width 13.62 in, Depth 4.58 in, Height 15.08 in
Weight	5.09 lb
Part Number	<ul style="list-style-type: none">• 2300-10-MTP-FL4 - Bracket Pro Serie® 92 - FL4
Other Models and Options Configuration	Contact Technimount EMS for more information or for other options at customerservice@technimount.com

* Product and medical equipment manufacturers names are trademarks™ or registered trademarks® of their respective holders. Technimount does not have a commercial relationship with these medical equipment manufacturers.

YOUR SAFETY IS OUR PRIORITY



FEATURES

- ✓ Designed to secure up to 4 Sapphire Multi-Therapy Infusion Pumps during Air and Ground EMS/Critical Care Transport
- ✓ Medical device retained on main assembly with individual locking mechanism on each pump holder
- ✓ Red Quick Release Mechanism to instantly remove the pump from its holder
- ✓ Anti-Rotation Micro Disc and Bottom Micro Disc to support multiple mounting configurations on stretchers/cots, surfaces and wall systems
- ✓ IV Pole with Quick Release Mechanism for use during air transport
- ✓ High-density aluminum with blue-anodized finish
- ✓ Designed to comply with SAE J3043 and FAA, 14 CFR § 23 (applicable sections)

BENEFITS

- + Increases flexibility in EMS/Critical Care Transport with multiple configuration options for aircraft and ground ambulances
- + No interference with the medical device components, cables and tubing
- + Access to medical device from multiple angles when installed on the Xtension Pro Assistant - LP and Safety MD-Transporter
- + Quickly install the IV Pole during air transport and store directly on the bracket when not in use
- + Easily install and remove the medical device from the bracket to follow the patient during care
- + Certified mounting system that complies with the highest industry standards and regulations
- + Reduces risks of damage to the equipment and ensures the safety of patients and crew during EMS and Critical Care transport

SAFETY AND FLEXIBILITY WHERE IT MATTERS MOST



technimount.com

