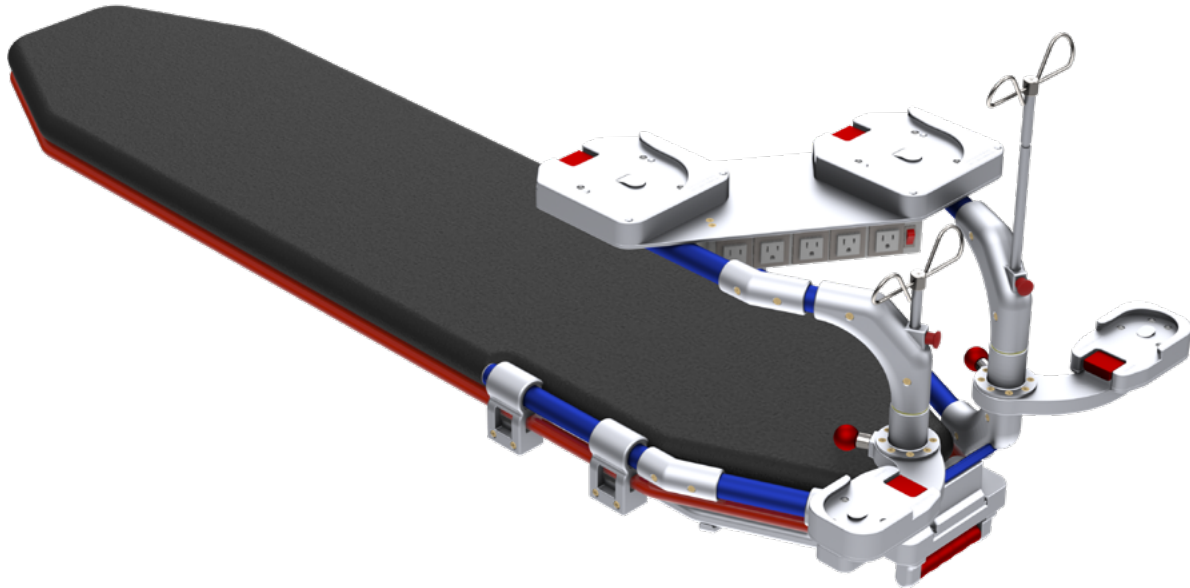




TECHNIMOUNT
EMS™



XTENSION PRO™ ASSISTANT - LP

MOUNTING SYSTEM FOR AIR TRANSPORT OF
MULTIPLE MEDICAL DEVICES ON THE LIFEPORT™ COT

SAFETY & FLEXIBILITY WHERE IT MATTERS MOST

The Xtension Pro™ Assistant - LP is designed for air critical care transport. It facilitates lateral patient transfer from bed to cot and improves accessibility to patients during transport.

The Xtension Pro™ Assistant - LP is tested in compliance with FAA, 14 CFR 23, ensuring the safety of patients and crews during air transport.



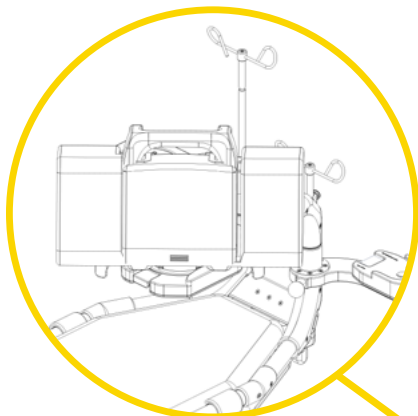
Air

At Technimount EMS, we understand that EMS and Critical Care Transport teams need solutions that they can rely on. We design and develop quality mounting systems which are safe and flexible, allowing you to concentrate on what matters most - patient care.

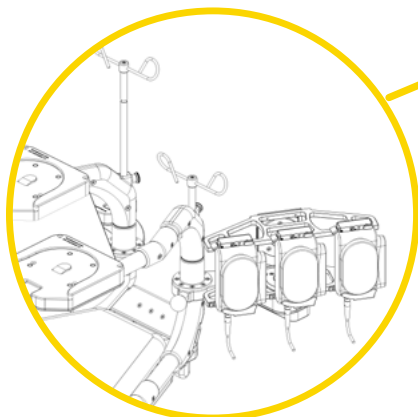
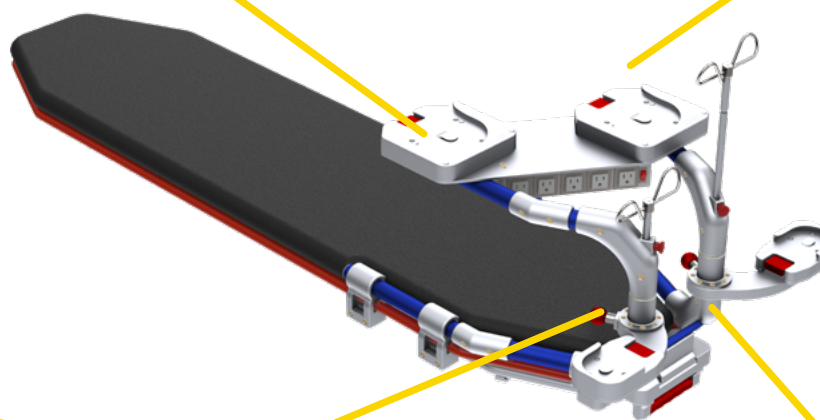
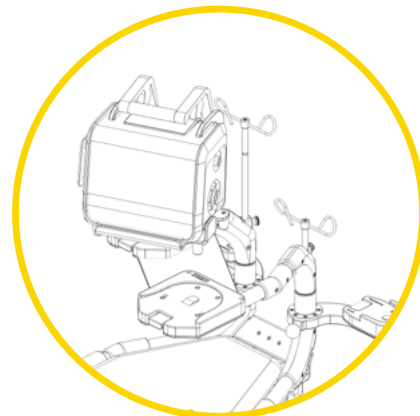
XTENSION PRO™ ASSISTANT - LP

POTENTIAL CONFIGURATIONS

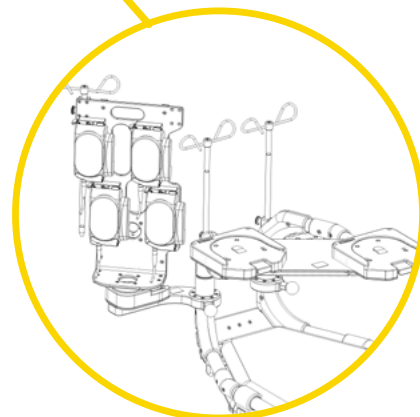
Monitor/Defibrillator



Ventilator



Pumps



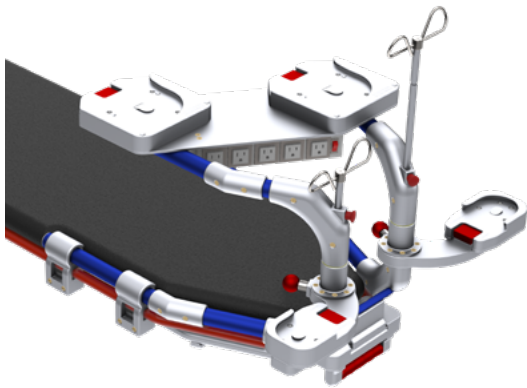
Pumps

TECHNICAL SPECIFICATIONS

Product Name	Xtension Pro™ Assistant - LP
Product Description	Mounting System for Air Critical Care Transport of Multiple Medical Devices on the LifePort Cot.
Compatibility of Stretcher*	LifePort Cot
Compatibility of Mounting Systems	Compatible with Technimount's: <ul style="list-style-type: none">• Bracket Pro Serie® Mounting Systems with Standard Bottom Disc and Bottom Micro Disc
Environment of Usage	CCT (Flight)
Product Section Material	<ul style="list-style-type: none">• Main Assembly and Clamp Blocks and Locking Handle: Aluminum 6061-T6• Cot Support Structure: Aluminum 5052-H32
Product Finish	<ul style="list-style-type: none">• Main Assembly: Blue-Anodized Finish• Cot Support Structure, Equipment Support Structure and Clamp Blocks: Silver-Anodized Finish
Environmental Regulations	Complying with RoHs 3
Temperature of Usage	31°F to 113° F (-35° C to 45°C)
Certification	Tested in Compliance with: <ul style="list-style-type: none">• FAA, 14 CFR § 23 (applicable sections)
Installation	<ul style="list-style-type: none">• Locking System - Main Assembly Slides into 4 Clamp Blocks Installed on the Cot• Locking Handle located at the Foot End of the Cot is used to Easily Remove the System from the Cot
Features	<ul style="list-style-type: none">• 2 Standard Surface Bases with 360° Rotation• 2 Swivel Micro Shelf with 4 Different Positions• Mobile Equipment Support Structure• 2 integrated IV poles
Positioning Configuration	Optional Mirror Positioning for the Upper Tray - Available Upon Request
System Physical Overall Dimensions	Width 19.0 in (48.3 cm), Depth 28.835 (73.3 cm), Height 20.577 (52.3 cm)
Mobile Equipment Support Structure	Width 19.0 in (48.3 cm), Depth 25.4 in (72.1 cm), Height 18.6 in (47.3 cm)
Mobile Equipment Support Structure Complete System Weight (With brackets, Without Medical Devices)	<ul style="list-style-type: none">• 52.43 lb (132.08 kg)• 68.02 lb (172.72 kg)
Maximum Estimated Loading Capacity	66.0 lb (29.94 kg)
Part Number	1610-00-LPT01 - Xtension Pro Assistant - LP
Other Models and Configuration Options	Contact Technimount EMS for more information or for other options at customerservice@technimount.com

* Product and medical equipment manufacturers names are trademarks™ or registered trademarks® of their respective holders. Technimount does not have a commercial relationship with these medical equipment manufacturers.

YOUR SAFETY IS OUR PRIORITY

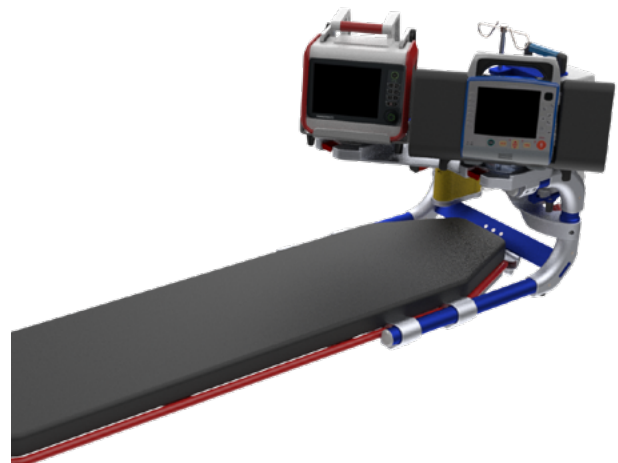


FEATURES

- ✓ Secures multiple medical devices during Air Critical Care Transport
- ✓ Two Standard Surface Bases (360° rotation) compatible with Technimount's Bracket Pro Serie with Standard Bottom Disc
- ✓ Two Swivel Micro Shelf with four different positions compatible with Technimount's Bracket Pro Serie with Bottom Micro Disc
- ✓ Locking Handle located at the Foot End of the cot
- ✓ Made from high-density aluminum with blue and silver-anodized finish
- ✓ Tested in compliance with FAA, 14 CFR § 23 (applicable sections)

BENEFITS

- + Curved design facilitates lateral patient transfer from bed to cot and optimizes space within the aircraft
- + Reduces medical equipment installation time and improves equipment management during patient transport
- + Increases flexibility and access to medical devices from all angles
- + Improves accessibility to patient during air transport
- + Certified mounting system that complies with the highest industry standards and regulations
- + Reduces the risk of damage to the equipment and ensures the safety of patients and crews during air transport



SAFETY AND FLEXIBILITY WHERE IT MATTERS MOST

[technimount.com](https://www.technimount.com)

